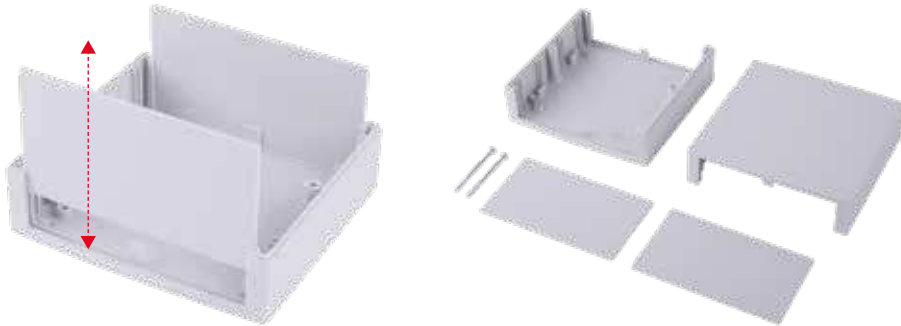
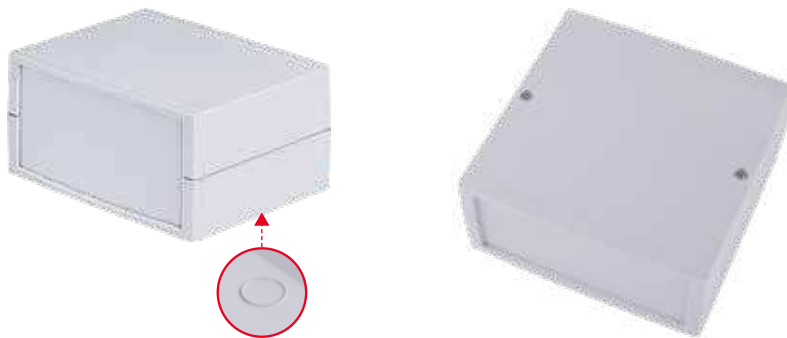


## The product advantages



Separately removable front panels - plastic or aluminium, as required - ensure very easy modification of Unimas.



Concealed ("invisible") arrangement of screws on the underside of the enclosure.

Fast opening and closing – only two screws.



Slot-in options for vertical PCB mounting.



Depending on the design, screwless clicking into place of PCBs is possible. PCB mounting in the base and top section.



**Quick-Finder:**  
[www.bopla.de/26](http://www.bopla.de/26)



**Colour:**

● Light grey, similar to RAL 7035

Special colours on request

**Protection class:**

IP40 / DIN EN 60529

**Material:**

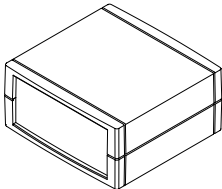
Enclosure: PS (polystyrene)

For details see technical information.

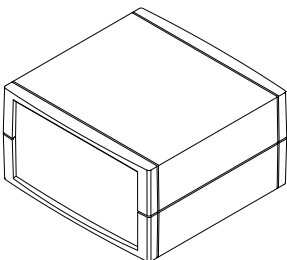


### Enclosure sizes

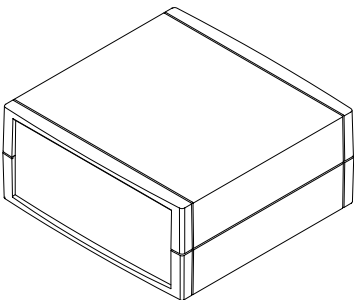
U 85



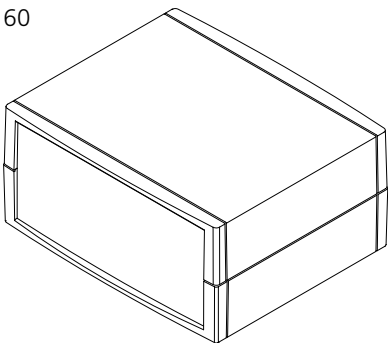
U 110



U 135

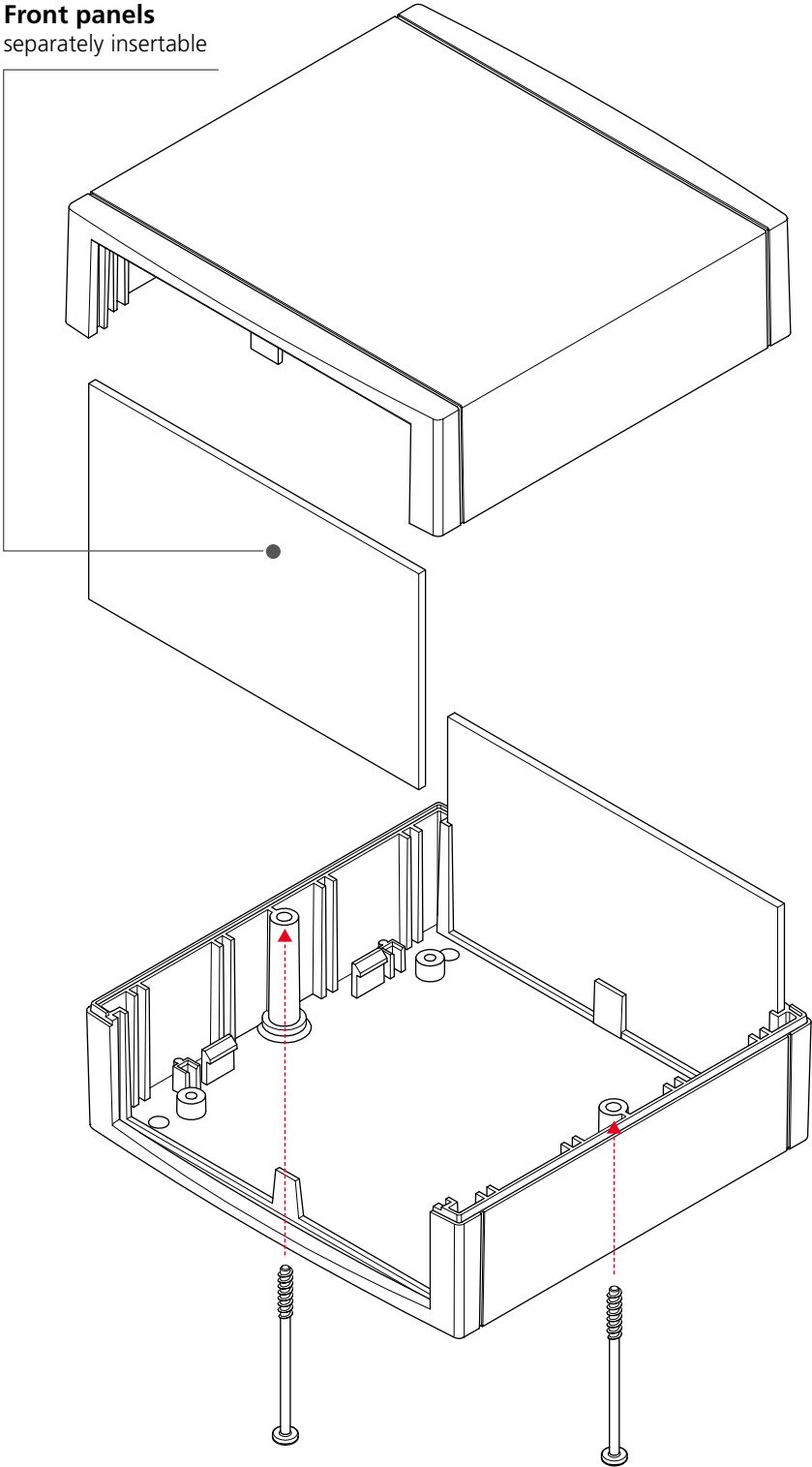


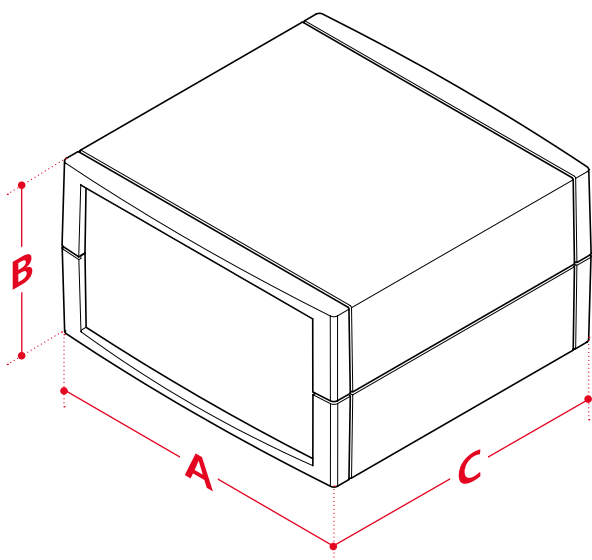
U 160



### Design type

**Front panels**  
separately insertable





## Dimensions

| Model      | A   | B  | C   |
|------------|-----|----|-----|
| U 85-7035  | 85  | 40 | 81  |
| U 110-7035 | 110 | 60 | 107 |
| U 135-7035 | 135 | 60 | 132 |
| U 160-7035 | 160 | 75 | 133 |

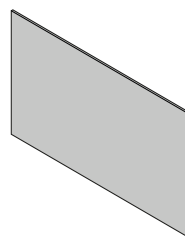
## Accessories



Rubber feet



Screw covers



Front panel, aluminium

# Unimas

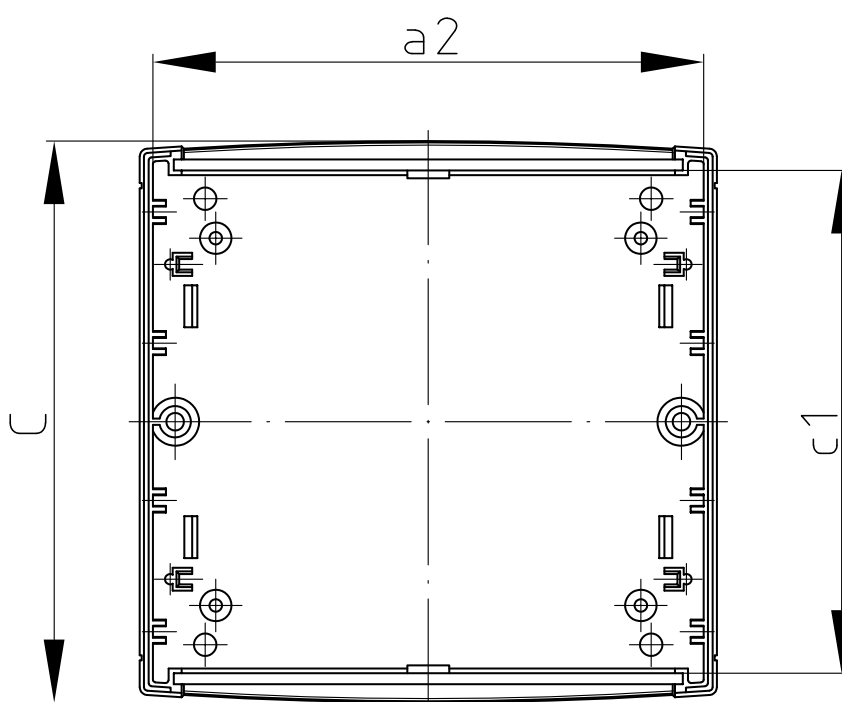
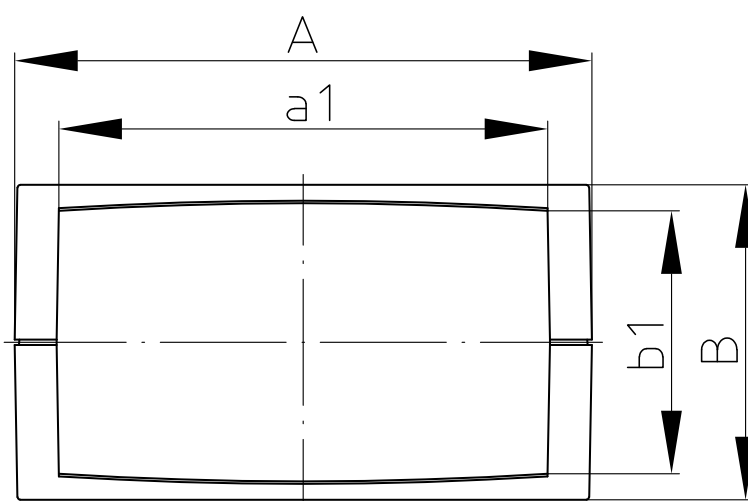
## Enclosure



### Unimas enclosures

| Model      | Order no.       | A   | B  | C   | a1    | a2    | b1   | c1    | Colour     |
|------------|-----------------|-----|----|-----|-------|-------|------|-------|------------|
| U 85-7035  | <b>26085000</b> | 85  | 40 | 81  | 70.4  | 79.5  | 31.4 | 70.8  | Light grey |
| U 110-7035 | <b>26110000</b> | 110 | 60 | 107 | 93.1  | 104   | 50.1 | 95.8  | Light grey |
| U 135-7035 | <b>26135000</b> | 135 | 60 | 132 | 118.1 | 128   | 50   | 120.8 | Light grey |
| U 160-7035 | <b>26160000</b> | 160 | 75 | 133 | 140.9 | 152.8 | 63.8 | 120.8 | Light grey |

Scope Of Delivery: Lid and base, 2 plastic front panels, 2 screws



Z-2804080

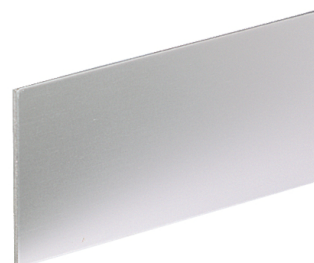
# Unimas

## Front panel

### Front panels, aluminium

| Model     | Order no.        | Note      |
|-----------|------------------|-----------|
| U 85 FAE  | <b>26008500*</b> | For U 85  |
| U 110 FAE | <b>26011000*</b> | For U 110 |
| U 135 FAE | <b>26013500*</b> | For U 135 |
| U 160 FAE | <b>26016000*</b> | For U 160 |

Scope Of Delivery: 1 front panel



# Unimas

## Accessories



### Screw covers

| Model     | Order no. | Colour     |
|-----------|-----------|------------|
| U SA-7035 | 26008000  | Light grey |

Scope Of Delivery: 2 screw covers



### Rubber feet

| Model | Order no. | Colour | Note                      |
|-------|-----------|--------|---------------------------|
| GF    | 22009000  | Black  | Polyurethane, 65-75 Shore |

Scope Of Delivery: 4 pieces



**BOPLA**

A Phoenix Mecano Company