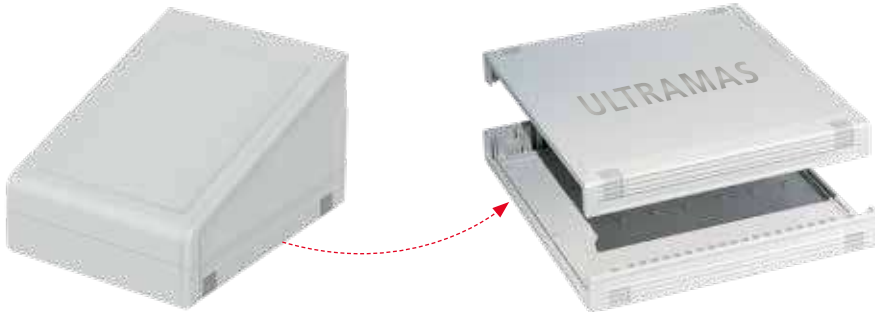
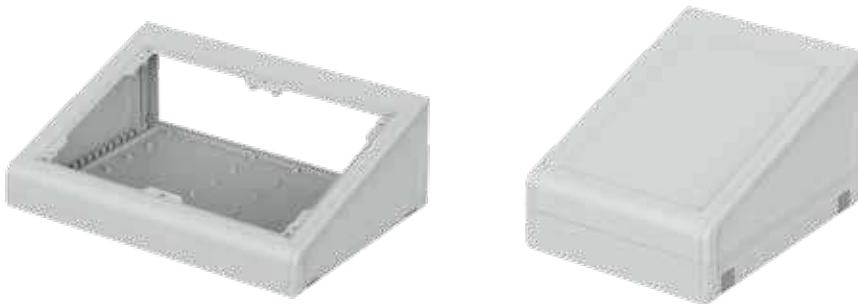


The product advantages



The classic console enclosure is based on the Ultramas enclosure system. As a result, many components are compatible with each other.

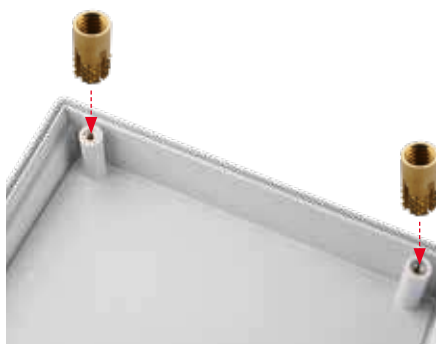


The two plastic half-shells are made of different front panels on the back and on the control surface.

Alternatively, there are also variants with closed top available.



The enclosure screws are concealed under snap-on covers.



All enclosure parts are screwed between each other with high-quality brass threaded inserts, which guarantees permanently reliable opening and closing.



Quick-Finder:
www.bopla.de/45

Examples of use





BOPLA

A Phoenix Mecano Company

Ultrapult



Colour:

Enclosure:

● Light grey, similar to RAL 7035

Cover caps:

● Agate grey, similar to RAL 7038

Special colours on request

Protection class:

IP40 / DIN EN 60529

Material:

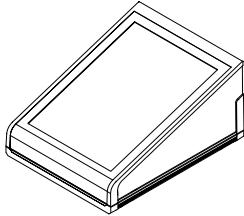
Enclosure: ABS

For details see technical information.

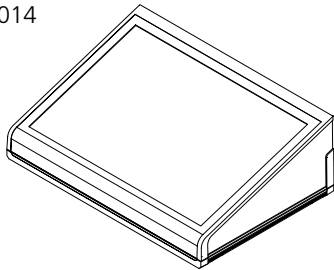


Enclosure sizes

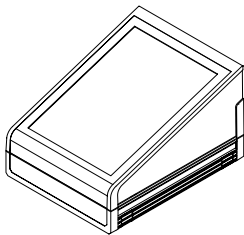
UMP 32014



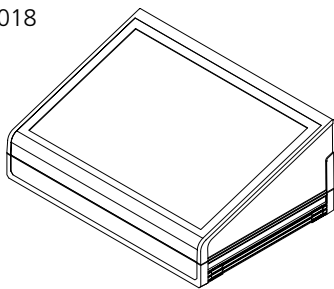
UMP 62014



UMP 32018



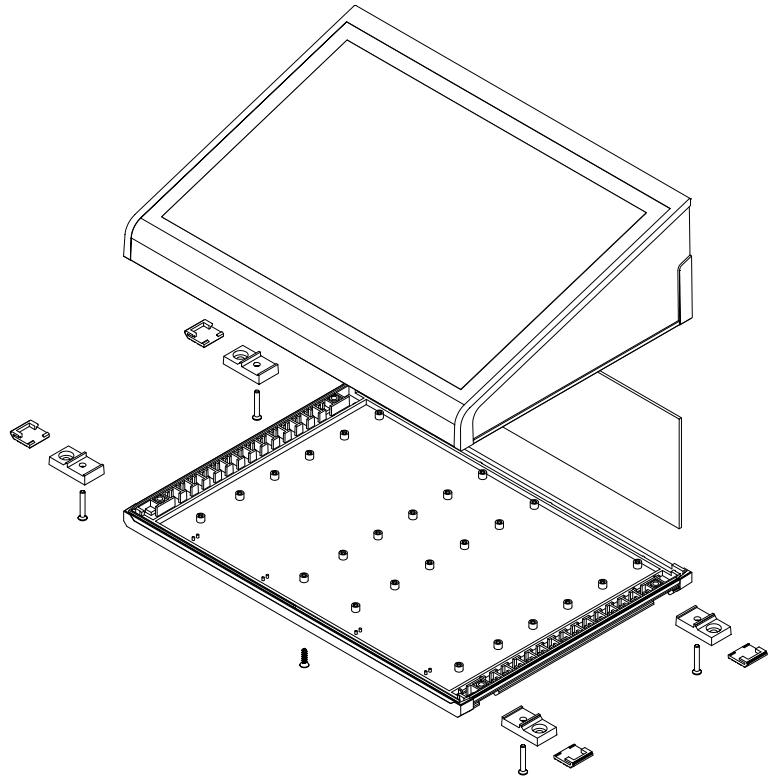
UMP 62018



Design types

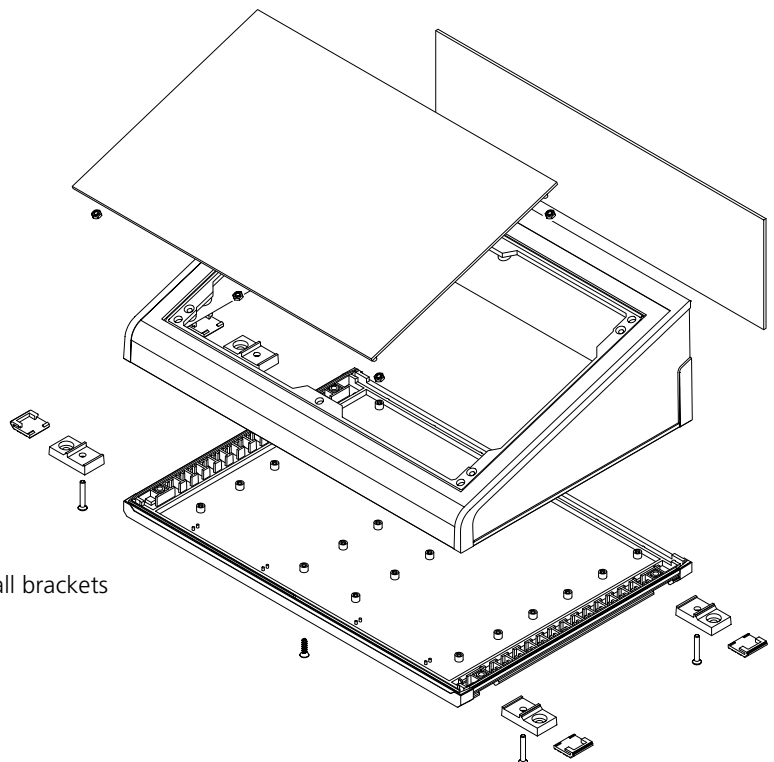
UMP

Enclosure with closed console area



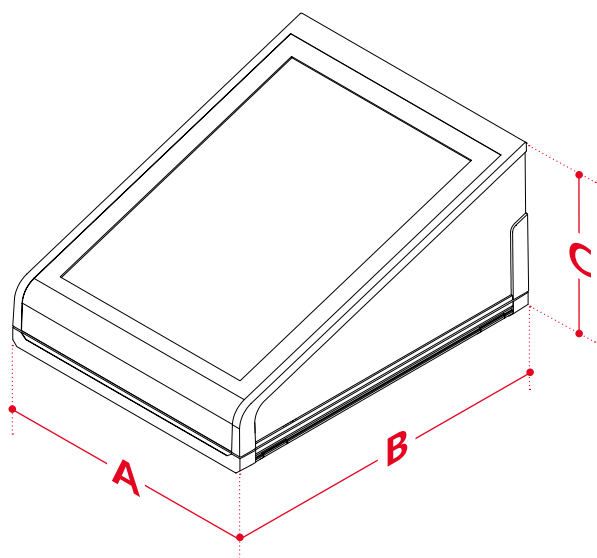
UMP... FP

Enclosure with open console area



Wall brackets

Ultrapult



Dimensions

Model	A	B	C
UMP 32014 (FP)	157.5	198.9	100.1
UMP 62014 (FP)	290.9	198.9	100.1
UMP 32018 (FP)	157.5	198.9	120.4
UMP 62018 (FP)	290.9	198.9	120.4

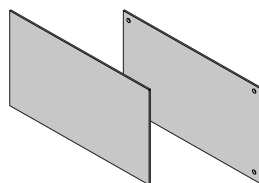
Accessories



Wall brackets for
UMP 32014 / 62014



Wall brackets for
UMP 32018 / 62018



Front panels in different versions

Ultrapult

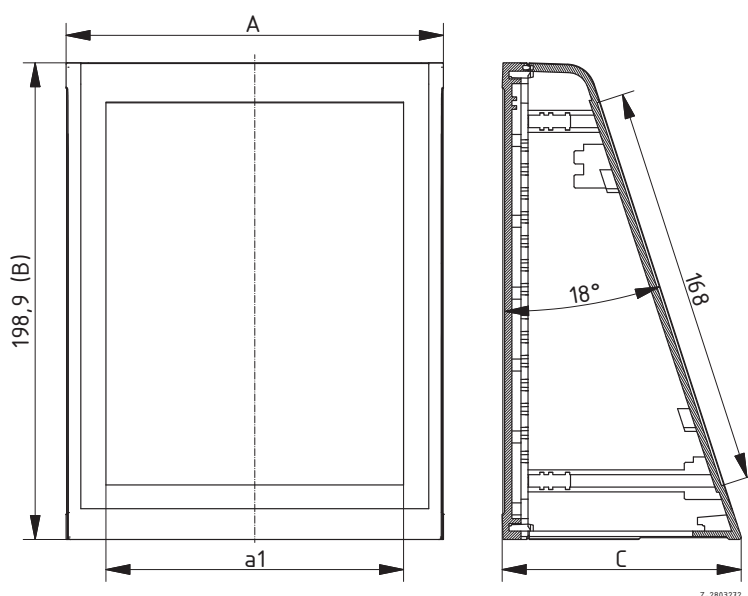
Closed enclosure



Enclosure with membrane keypad area

Model	Order no.	A	B	C	a1
UMP 32014	45320140	157.5	198.9	100.1	124.2
UMP 62014	45620140	290.9	198.9	100.1	257.6
UMP 32018	45320180	157.5	198.9	120.4	124.2
UMP 62018	45620180	290.9	198.9	120.4	257.6

Scope Of Delivery: Lid and base, 4 screw covers, 4 rubber feet, 4 screws, incl. seal in lid to seal the operating area



Ultrapult

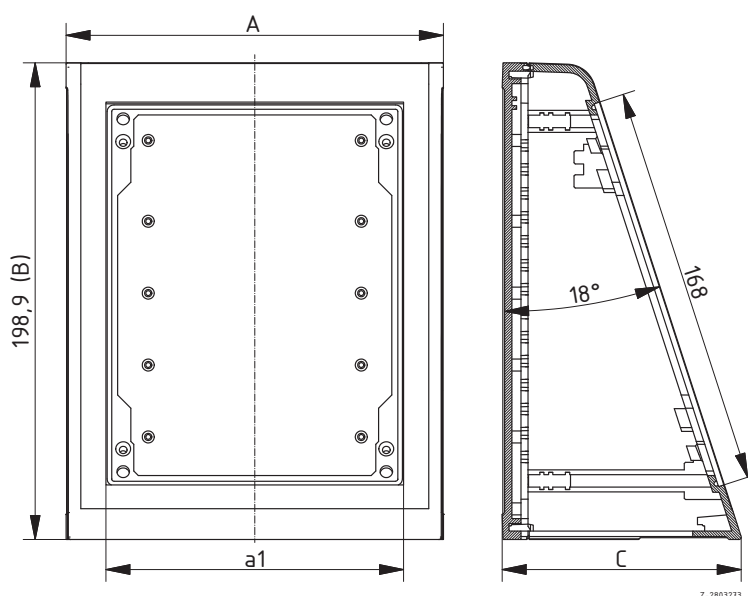
Enclosures for front panel installation

Enclosure with open console area

Model	Order no.	A	B	C	a1
UMP 32014 FP	45320145	157.5	198.9	100.1	124.2
UMP 62014 FP	45620145	290.9	198.9	100.1	257.6
UMP 32018 FP	45320185	157.5	198.9	120.4	124.2
UMP 62018 FP	45620185	290.9	198.9	120.4	257.6



Scope Of Delivery: Lid and base, 4 screw covers, 4 rubber feet, 4 screws, incl. seal in lid to seal the operating area



Ultrapult

Front and rear panels



Front panels for the open console area, 2 mm, natural-coloured anodised aluminium

Model	Order no.	Note
FPP 32000	29320180	For UMP 32014 FP + UMP 32018 FP
FPP 62000	29620180	For UMP 62014 FP + UMP 62018 FP

Scope Of Delivery: 1 front panel, fixing material



Rear panels, 2 mm, natural-coloured anodised aluminium

Model	Order no.	Note
FP 30014	56031400	For UMP 32014 (FP)
FP 60014	56061400	For UMP 62014 (FP)
FP 30018	56031800	For UM 3..09 + 1x AB 02.09 (L) and for UMP 32018 (FP)
FP 60018	56061800	For UM 6..09 + 1x AB 02.09 (L) and for UMP 62018 (FP)

Scope Of Delivery: 1 rear panel



Rear panels, light grey, 2 mm, plastic

Model	Order no.	Note
FPK 30014	56031410	For UMP 32014 (FP)
FPK 60014	56061410	For UMP 62014 (FP)
FPK 30018	56031810	For UM 3..09 + 1x AB 02.09 (L) and for UMP 32018 (FP)
FPK 60018	56061810	For UM 6..09 + 1x AB 02.09 (L) and for UMP 62018 (FP)

Scope Of Delivery: 1 rear panel

Ultrapult

Accessories

Wall brackets for UMP 32014 / 62014

Model	Order no.	Colour
UM-WLN	56002100*	Agate grey

Scope Of Delivery: 4 wall brackets



Wall brackets for UMP 32018 / 62018

Model	Order no.	Colour
UM-WLH	56002000	Agate grey

Scope Of Delivery: 4 wall brackets

