

The product advantages



RegloCard-Plus is a classic “L-shaped” control enclosure. It has a separately accessible terminal compartment which allows connection of the item without the need to open the electronics mounting space.

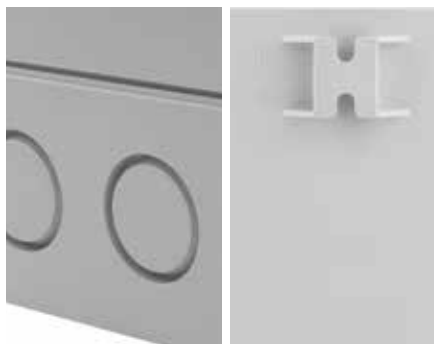


RCP XX0: For mounting front panels, with clip-on covering, IP40.

RCP XX00: Crystal-clear lid, hinged, with snap lock, IP65. A cylinder catch for retrofitting in the snap lock prevents unwanted access.



RCP F XXX: With screw-on front lid for membrane keypads, IP65.



All models are available with metric or Pg pre-punchings in the terminal compartment. A rear-fitted suspension unit ensures a secure fit on the wall.



Quick-Finder:
www.bopla.de/41


Examples of use



RegloCard-Plus Combifront



Colour:

 Light grey, similar to RAL 7035

Special colours on request

Protection class:

Depending on the model up to

IP65 / DIN EN 60529

Material:

Enclosure: ABS

Lid crystal clear: PC

Seal: EPDM

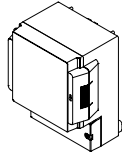
UL 94 V0 versions on request

For details see technical information.

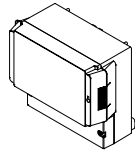


Enclosure sizes

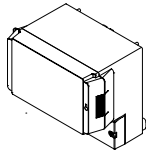
RCP(M) 1300 / RCP 130 F



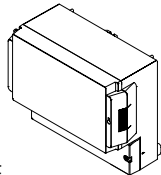
RCP(M) 1600 / RCP 160 F



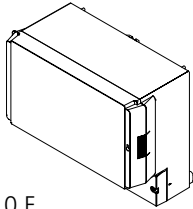
RCP(M) 1700 / RCP 170 F



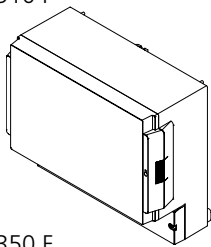
RCP(M) 2000 / RCP 200 F



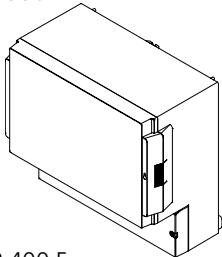
RCP(M) 2500 / RCP 250 F



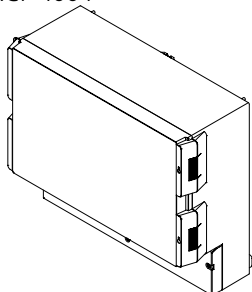
RCP(M) 3100 / RCP 310 F



RCP(M) 3500 / RCP 350 F

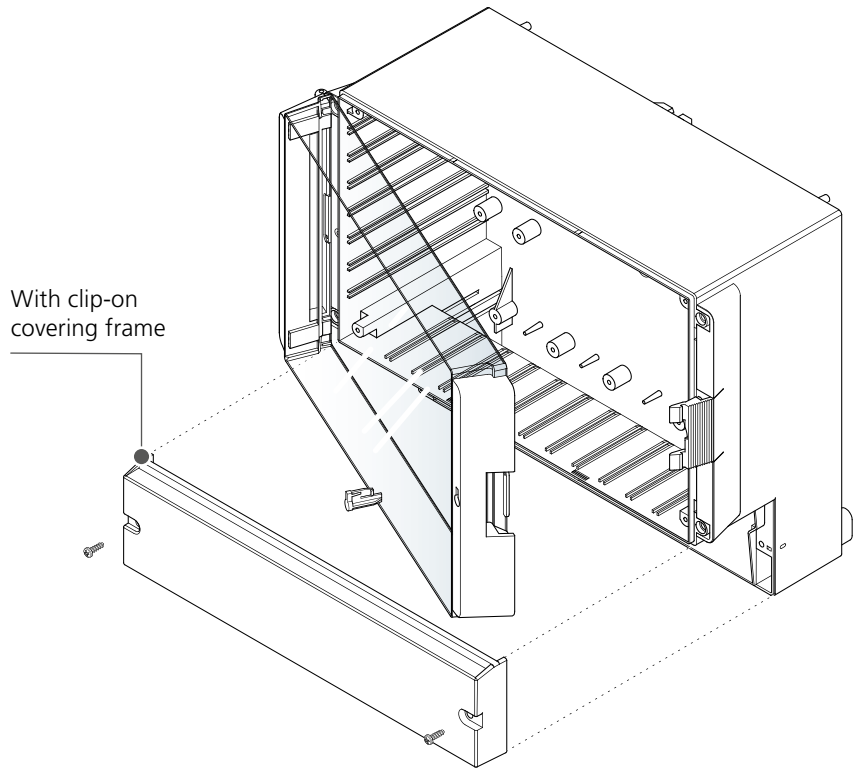


RCP(M) 4000 / RCP 400 F

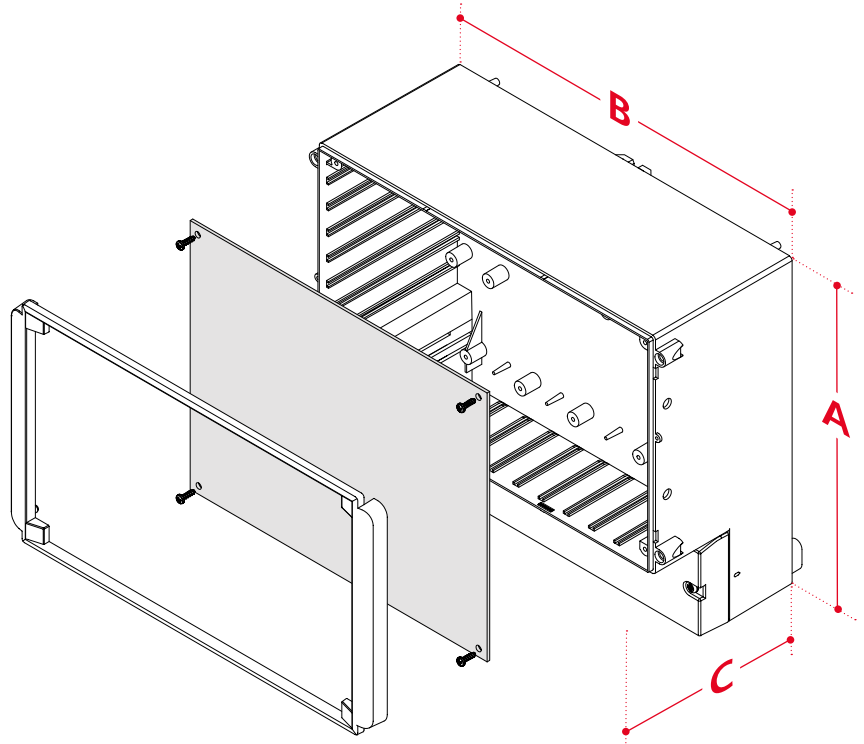


Design types

With crystal-clear lid hinged and with snap lock, IP65

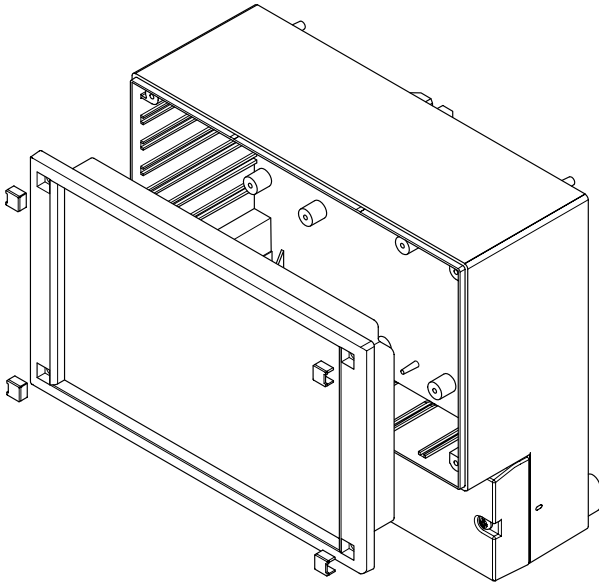


With clip-on covering frame

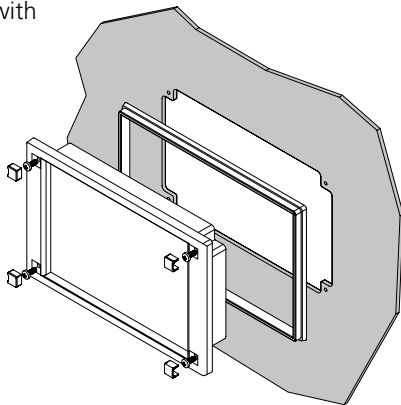


RegloCard-Plus Combifront

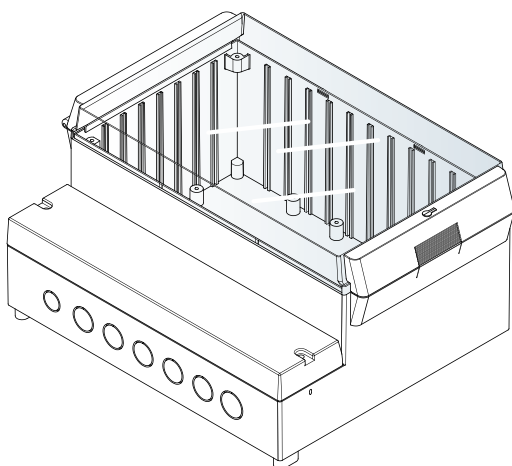
With screw-on front lid for membrane keypads,
max. IP65



Installation area with
continuous seal



Available with metric
or PG pre-punchings in the
terminal compartment



Dimensions

Model	A	B	C
With crystal-clear lid hinged and with snap lock, IP65			
RCP(M) 1300	131	186	103
RCP(M) 1600	166	161	93
RCP(M) 1700	166	161	121
RCP(M) 2000	213	185	104.5
RCP(M) 2500	257	217	132.5
RCP(M) 3100	296	261	132.5
RCP(M) 3500	296	281	158
RCP(M) 4000	363.4	318.6	150

With clip-on covering frame

RCP(M) 130	131	186	81
RCP(M) 160	166	161	71
RCP(M) 170	166	161	99
RCP(M) 200	213	185	82.5
RCP(M) 250	257	217	110.5
RCP(M) 310	296	261	110.5
RCP(M) 350	296	281	136
RCP(M) 400	363.4	318.6	128.5

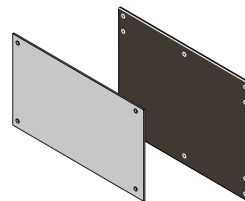
With screw-on front lid for membrane keypads, max. IP65

RCP(M) 130 F	131	186	82.5
RCP(M) 160 F	166	161	72.5
RCP(M) 170 F	166	161	100.5
RCP(M) 200 F	213	185	84
RCP(M) 250 F	257	217	112
RCP(M) 310 F	296	261	112
RCP(M) 350 F	296	281	137.5
RCP(M) 400 F	363.4	318.6	130.5

Installation area with continuous seal up to IP54

CF 130	131	131	9.5
CF 160	166	106	9.5
CF 200	213	125	9.5
CF 250	257	157	9.5
CF 310	296	196	9.5
CF 400	363.6	233.6	11.5

Accessories



Front and mounting panels in
different versions



Wall brackets
screw-on at rear



Cylinder lock / hand lock for sub-
sequent mounting

RegloCard-Plus / Combifront

With crystal-clear lid, hinged and with snap lock, IP 65

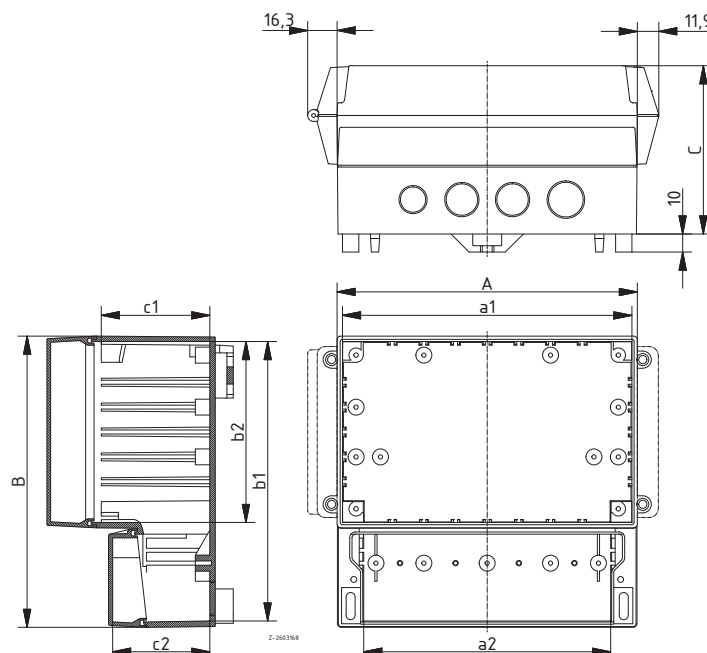


Enclosure with Pg pre-punchings in the terminal compartment

Model	Order no.	A	B	C	a1	a2	b1	b2	c1	c2	Note
RCP 1300	41130109	131	186	103	125	101.5	179	125	70	53.5	Pre-punchings: 1 x Pg 9, 1 x Pg 11, 1 x Pg 13,5
RCP 1300 V0	41130400*	131	186	103	125	101.5	179	125	70	53.5	Pre-punchings: 1 x Pg 9, 1 x Pg 11, 1 x Pg 13,5
RCP 1600	41160109	166	161	93	160	136.5	154	100	60	53.5	Pre-punchings: 1 x Pg 9, 2 x Pg 11, 1 x Pg 13,5
RCP 1600 V0	41160400*	166	161	93	160	136.5	154	100	60	53.5	Pre-punchings: 1 x Pg 9, 2 x Pg 11, 1 x Pg 13,5
RCP 1700	41170109	166	161	121	160	136.5	154	100	88	53.5	Pre-punchings: 1 x Pg 9, 2 x Pg 11, 1 x Pg 13,5
RCP 1700 V0	41170400*	166	161	121	160	136.5	154	100	88	53.5	Pre-punchings: 1 x Pg 9, 2 x Pg 11, 1 x Pg 13,5
RCP 2000	41200309	213	185	104.5	207	183.5	178	119	71.5	53.5	Pre-punchings: 1 x Pg 9, 4 x Pg 11, 1 x Pg 13,5
RCP 2000 V0	41200400*	213	185	104.5	207	183.5	178	119	71.5	53.5	Pre-punchings: 1 x Pg 9, 4 x Pg 11, 1 x Pg 13,5
RCP 2500	41250109	257	217	132.5	251	227.5	210	151	99.5	63.5	Pre-punchings: 1 x Pg 9, 5 x Pg 11, 1 x Pg 13,5
RCP 2500 V0	41250400*	257	217	132.5	251	227.5	210	151	99.5	63.5	Pre-punchings: 1 x Pg 9, 5 x Pg 11, 1 x Pg 13,5
RCP 3100	41310109	296	261	132.5	290	266.5	254	190	99.5	63.5	Pre-punchings: 1 x Pg 9, 5 x Pg 11, 1 x Pg 13,5
RCP 3100 V0	41310400*	296	261	132.5	290	266.5	254	190	99.5	63.5	Pre-punchings: 1 x Pg 9, 5 x Pg 11, 1 x Pg 13,5
RCP 3500	41350109	296	281	158	290	266.5	274	190	125	84.5	Pre-punchings: 1 x Pg 9, 6 x Pg 11, 1 x Pg 13,5
RCP 3500 V0	41350400*	296	281	158	290	266.5	274	190	125	84.5	Pre-punchings: 1 x Pg 9, 6 x Pg 11, 1 x Pg 13,5
RCP 4000	41400109	363.4	318.6	150	355	326.5	309	225	114.5	71	Pre-punchings: 1 x Pg 11, 6 x Pg 13,5, 1 x Pg 16
RCP 4000 V0	41400400*	363.4	318.6	150	355	326.5	309	225	114.5	71	Pre-punchings: 1 x Pg 11, 6 x Pg 13,5, 1 x Pg 16

Scope Of Delivery: Base, crystal-clear lid, hinged, mounted with snap lock, terminal compartment lid, catch, blind plug, screws

Notes: CSA certificate for all V0 versions on request. Enclosures without pre-punchings on request.



RegloCard-Plus / Combifront

With crystal-clear lid, hinged and with snap lock, IP 65

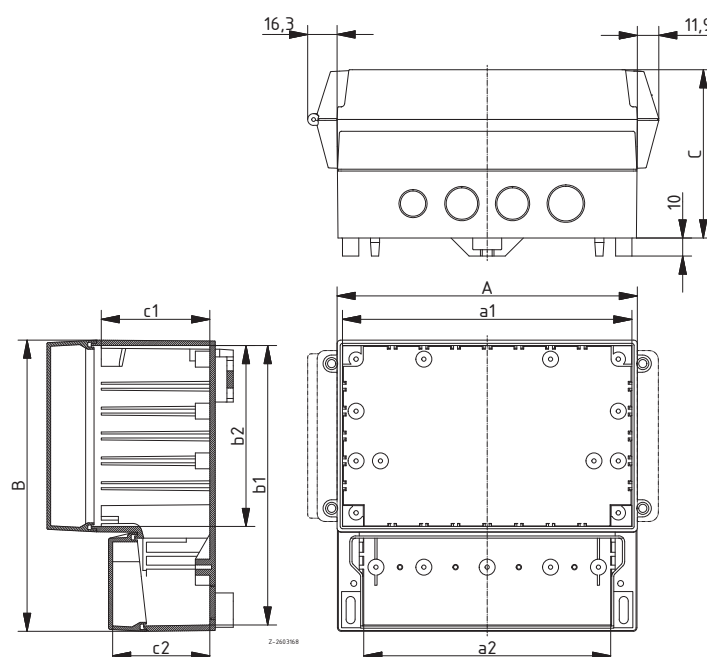


Enclosure with metric pre-punchings in the terminal compartment

Model	Order no.	A	B	C	a1	a2	b1	b2	c1	c2	Note
RCPM 1300	41131109	131	186	103	125	101.5	179	125	70	53.5	Pre-punchings: 1 x M 12, 1 x M 16, 1 x M 20
RCPM 1300 V0	41131400	131	186	103	125	101.5	179	125	70	53.5	Pre-punchings: 1 x M 12, 1 x M 16, 1 x M 20
RCPM 1600	41161109	166	161	93	160	136.5	154	100	60	53.5	Pre-punchings: 1 x M 12, 2 x M 16, 1 x M 20
RCPM 1600 V0	41161400	166	161	93	160	136.5	154	100	60	53.5	Pre-punchings: 1 x M 12, 2 x M 16, 1 x M 20
RCPM 1700	41171109	166	161	121	160	136.5	154	100	88	53.5	Pre-punchings: 1 x M 12, 2 x M 16, 1 x M 20
RCPM 1700 V0	41171400	166	161	121	160	136.5	154	100	88	53.5	Pre-punchings: 1 x M 12, 2 x M 16, 1 x M 20
RCPM 2000	41201309	213	185	104.5	207	183.5	178	119	71.5	53.5	Pre-punchings: 1 x M 12, 4 x M 16, 1 x M 20
RCPM 2000 V0	41201400	213	185	104.5	207	183.5	178	119	71.5	53.5	Pre-punchings: 1 x M 12, 4 x M 16, 1 x M 20
RCPM 2500	41251109	257	217	132.5	251	227.5	210	151	99.5	63.5	Pre-punchings: 1 x M 12, 5 x M 16, 1 x M 20
RCPM 2500 V0	41251400	257	217	132.5	251	227.5	210	151	99.5	63.5	Pre-punchings: 1 x M 12, 5 x M 16, 1 x M 20
RCPM 3100	41311109	296	261	132.5	290	266.5	254	190	99.5	63.5	Pre-punchings: 1 x M 12, 5 x M 16, 1 x M 20
RCPM 3100 V0	41311400	296	261	132.5	290	266.5	254	190	99.5	63.5	Pre-punchings: 1 x M 12, 5 x M 16, 1 x M 20
RCPM 3500	41351109	296	281	158	290	266.5	274	190	125	84.5	Pre-punchings: 1 x M 12, 6 x M 16, 1 x M 20
RCPM 3500 V0	41351400	296	281	158	290	266.5	274	190	125	84.5	Pre-punchings: 1 x M 12, 6 x M 16, 1 x M 20
RCPM 4000	41401109	363.4	318.6	150	355	326.5	309	225	114.5	71	Pre-punchings: 1 x M 16, 6 x M 20, 1 x M 25
RCPM 4000 V0	41401400	363.4	318.6	150	355	326.5	309	225	114.5	71	Pre-punchings: 1 x M 16, 6 x M 20, 1 x M 25

Scope Of Delivery: Base, crystal-clear lid, hinged, mounted with snap lock, terminal compartment lid, catch, blind plug, screws

Notes: CSA certificate for all V0 versions on request. Enclosures without pre-punchings on request.



RegloCard-Plus / Combifront

With clip-on covering frame; IP 40

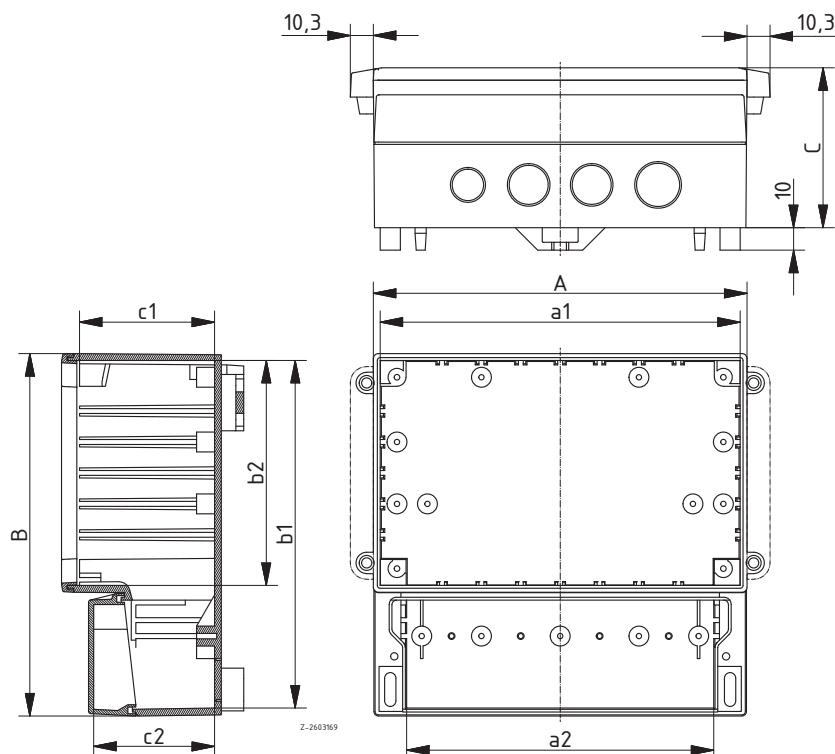


Enclosure with Pg pre-punchings in the terminal compartment

Model	Order no.	A	B	C	a1	a2	b1	b2	c1	c2	Note
RCP 130	41130009	131	186	81	125	101.5	179	125	70	53.5	Pre-punchings: 1 x Pg 9, 1 x Pg 11, 1 x Pg 13,5
RCP 160	41160009	166	161	71	160	136.5	154	100	60	53.5	Pre-punchings: 1 x Pg 9, 2 x Pg 11, 1 x Pg 13,5
RCP 170	41170009	166	161	99	160	136.5	154	100	88	53.5	Pre-punchings: 1 x Pg 9, 2 x Pg 11, 1 x Pg 13,5
RCP 200	41200009	213	185	82.5	207	183.5	178	119	71.5	53.5	Pre-punchings: 1 x Pg 9, 4 x Pg 11, 1 x Pg 13,5
RCP 250	41250009	257	217	110.5	251	227.5	210	151	99.5	63.5	Pre-punchings: 1 x Pg 9, 5 x Pg 11, 1 x Pg 13,5
RCP 310	41310009	296	261	110.5	290	266.5	254	190	99.5	63.5	Pre-punchings: 1 x Pg 9, 5 x Pg 11, 1 x Pg 13,5
RCP 350	41350009	296	281	136	290	266.5	274	190	125	84.5	Pre-punchings: 1 x Pg 9, 6 x Pg 11, 1 x Pg 13,5
RCP 400	41400009	363.4	318.6	128.5	355	326.5	309	225	114.5	71	Pre-punchings: 1 x Pg 11, 6 x Pg 13,5, 1 x Pg 16

Scope Of Delivery: Base, covering frame, terminal compartment lid, screws

Notes: Enclosures in UL 94 V0 and/or without pre-punchings on request.



RegloCard-Plus / Combifront

With clip-on covering frame; IP 40

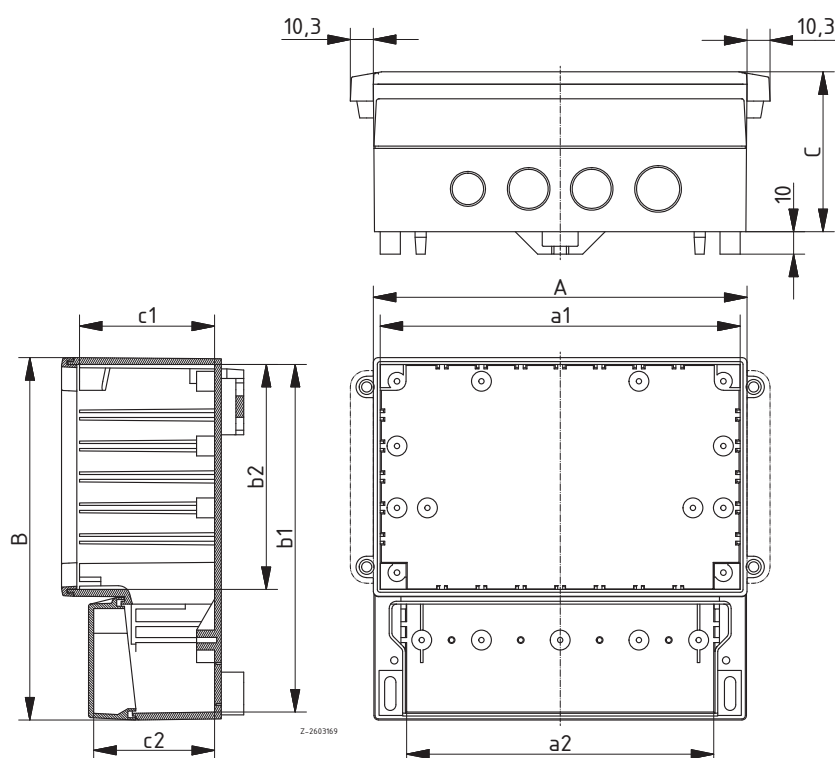


Enclosure with metric pre-punchings in the terminal compartment

Model	Order no.	A	B	C	a1	a2	b1	b2	c1	c2	Note
RCPM 130	41131009	131	186	81	125	101.5	179	125	70	53.5	Pre-punchings: 1 x M 12, 1 x M 16, 1 x M 20
RCPM 160	41161009	166	161	71	160	136.5	154	100	60	53.5	Pre-punchings: 1 x M 12, 2 x M 16, 1 x M 20
RCPM 170	41171009	166	161	99	160	136.5	154	100	88	53.5	Pre-punchings: 1 x M 12, 2 x M 16, 1 x M 20
RCPM 200	41201009	213	185	82.5	207	183.5	178	119	71.5	53.5	Pre-punchings: 1 x M 12, 4 x M 16, 1 x M 20
RCPM 250	41251009	257	217	110.5	251	227.5	210	151	99.5	63.5	Pre-punchings: 1 x M 12, 5 x M 16, 1 x M 20
RCPM 310	41311009	296	261	110.5	290	266.5	254	190	99.5	63.5	Pre-punchings: 1 x M 12, 5 x M 16, 1 x M 20
RCPM 400	41401009	363.4	318.6	128.5	355	326.5	309	225	114.5	71	Pre-punchings: 1 x M 16, 6 x M 20, 1 x M 25

Scope Of Delivery: Base, covering frame, terminal compartment lid, screws

Notes: Enclosures in UL 94 V0 and/or without pre-punchings on request.



RegloCard-Plus / Combifront

With screw-on front lid for membrane keypads; max. IP 65

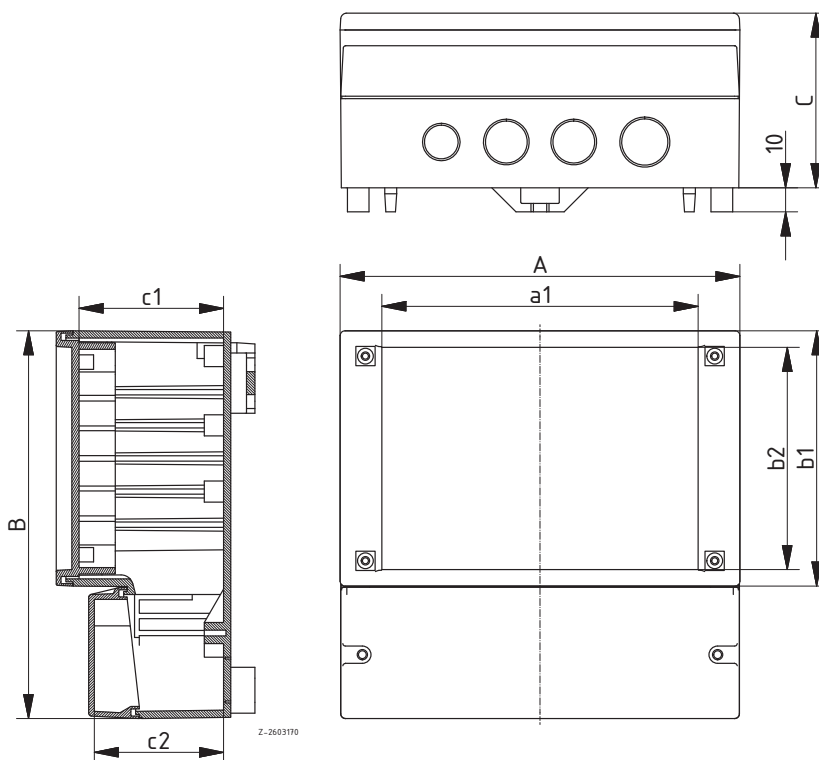


Enclosure with Pg pre-punchings in the terminal compartment

Model	Order no.	A	B	C	a1	b1	b2	c1	c2	Note
RCP 130 F	41130609	131	186	82.5	96.3	131	117.3	70	53.5	Pre-punchings: 1 x Pg 9, 1 x Pg 11, 1 x Pg 13,5
RCP 160 F	41160609	166	161	72.5	131.3	106	92.3	60	53.5	Pre-punchings: 1 x Pg 9, 2 x Pg 11, 1 x Pg 13,5
RCP 170 F	41170609	166	161	100.5	131.3	106	92.3	88	53.5	Pre-punchings: 1 x Pg 9, 2 x Pg 11, 1 x Pg 13,5
RCP 200 F	41200609	213	185	84	179.3	125	111.3	71.5	53.5	Pre-punchings: 1 x Pg 9, 4 x Pg 11, 1 x Pg 13,5
RCP 250 F	41250609	257	217	112	222.3	157	143.3	99.5	63.5	Pre-punchings: 1 x Pg 9, 5 x Pg 11, 1 x Pg 13,5
RCP 310 F	41310609	296	261	112	261.3	196	182.3	99.5	63.5	Pre-punchings: 1 x Pg 9, 5 x Pg 11, 1 x Pg 13,5
RCP 350 F	41350609	296	281	137.5	261.3	196	182.3	125	84.5	Pre-punchings: 1 x Pg 9, 6 x Pg 11, 1 x Pg 13,5
RCP 400 F	41400609	363.4	318.6	130.5	322	233.6	217	114.5	71	Pre-punchings: 1 x Pg 11, 6 x Pg 13,5, 1 x Pg 16

Scope Of Delivery: Base, recessed front lid, terminal compartment lid, screw covers, screws

Notes: Designs RCP 130 F to 250 F: IP 65; RCP 310 F to 400 F: IP 54. Enclosures in UL 94 V0 and/or without pre-punchings on request.



RegloCard-Plus / Combifront

With screw-on front lid for membrane keypads; max. IP 65

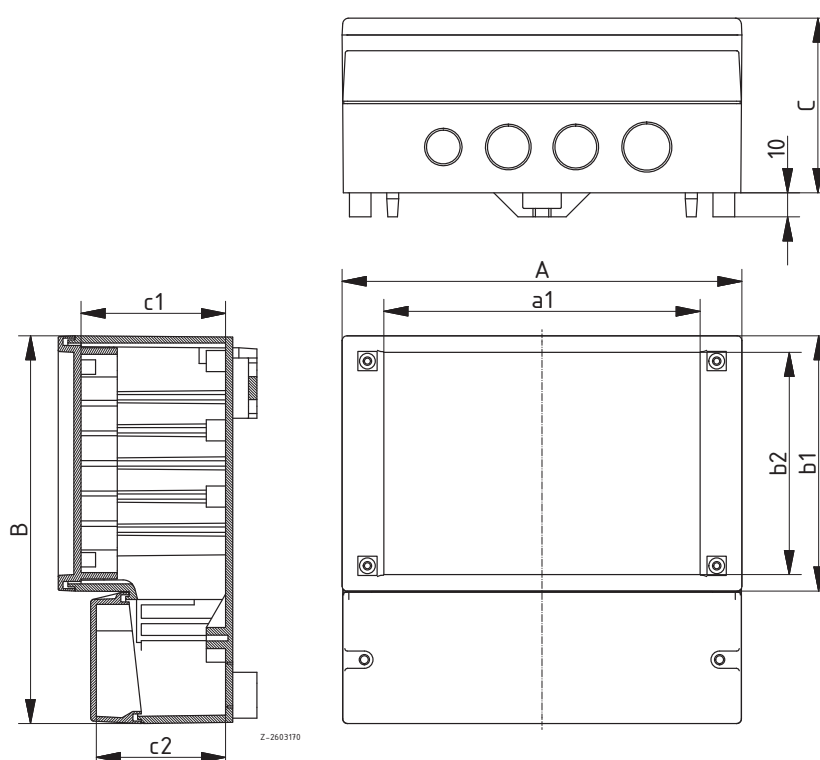


Enclosure with metric pre-punchings in the terminal compartment

Model	Order no.	A	B	C	a1	b1	b2	c1	c2	Note
RCPM 130 F	41131609	131	186	82.5	96.3	131	117.3	70	53.5	Pre-punchings: 1 x M 12, 1 x M 16, 1 x M 20
RCPM 160 F	41161609	166	161	72.5	131.3	106	92.3	60	53.5	Pre-punchings: 1 x M 12, 2 x M 16, 1 x M 20
RCPM 170 F	41171609	166	161	100.5	131.3	106	92.3	88	53.5	Pre-punchings: 1 x M 12, 2 x M 16, 1 x M 20
RCPM 200 F	41201609	213	185	84	179.3	125	111.3	71.5	53.5	Pre-punchings: 1 x M 12, 4 x M 16, 1 x M 20
RCPM 250 F	41251609	257	217	112	222.3	157	143.3	99.5	63.5	Pre-punchings: 1 x M 12, 5 x M 16, 1 x M 20
RCPM 310 F	41311609	296	261	112	261.3	196	182.3	99.5	63.5	Pre-punchings: 1 x M 12, 5 x M 16, 1 x M 20
RCPM 350 F	41351609	296	281	137.5	261.3	196	182.3	125	84.5	Pre-punchings: 1 x M 12, 6 x M 16, 1 x M 20
RCPM 400 F	41401609	363.4	318.6	130.5	322	233.6	217	114.5	71	Pre-punchings: 1 x M 16, 6 x M 20, 1 x M 25

Scope Of Delivery: Base, recessed front lid, terminal compartment lid, screw covers, screws

Notes: Designs RCPM 130 F to 250 F: IP 65; RCPM 310 F to 400 F: IP 54. Enclosures in UL 94 V0 and/or without pre-punchings on request.



RegloCard-Plus / Combifront

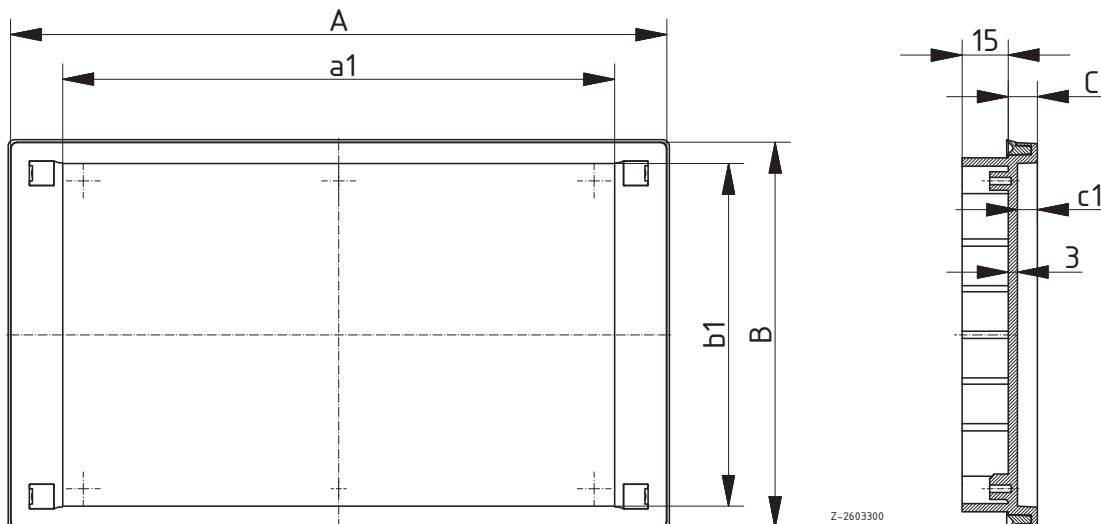
for control panel and cavity wall mounting



Installation fronts with continuous seal up to IP 54, ABS

Model	Order no.	A	B	C	a1	b1	c1
CF 130	69130009	131	131	9.5	96.3	117.3	6.5
CF 160	69160009	166	106	9.5	131.3	92.3	6.5
CF 200	69200009	213	125	9.5	179.3	111.3	6.5
CF 250	69250009	257	157	9.5	222.3	143.3	6.5
CF 310	69310009	296	196	9.5	261.3	182.3	6.5
CF 400	69400009	363.6	233.6	11.5	322	217	8.5

Scope Of Delivery: Front lid, double lip seal, screw covers



Z-2603300

RegloCard-Plus / Combifront

for control panel and cavity wall mounting

Bases, galvanised sheet steel

Model	Order no.	Note
CB 1304	69130400*	For CF 130 and RCP(M) 130 F, 35 mm deep
CB 1307	69130700*	For CF 130, 65 mm deep
CB 1310	69131000*	For CF 130, 100 mm deep
CB 1604	69160400*	For CF 160/170 and RCP(M) 160/170 F, 35 mm deep
CB 1607	69160700*	For CF 160/170 and RCP(M) 170 F, 65 mm deep
CB 1610	69161000*	For CF 160/170, 100 mm deep
CB 2004	69200400*	For CF 200 and RCP(M) 200 F, 35 mm deep
CB 2007	69200700*	For CF 200, 65 mm deep
CB 2010	69201000*	For CF 200, 100 mm deep
CB 2504	69250400*	For CF 250 and RCP(M) 250 F, 35 mm deep
CB 2507	69250700*	For CF 250 and RCP(M) 250 F, 65 mm deep
CB 2510	69251000*	For CF 250, 100 mm deep
CB 3104	69310400*	For CF 310/350 and RCP(M) 310/350 F, 35 mm deep
CB 3107	69310700*	For CF 310/350 and RCP(M) 310/350 F, 65 mm deep
CB 3110	69311000*	For CF 310/350 and RCP(M) 350 F, 100 mm deep
CB 4004	69400400*	For CF 400 und RCP(M) 400 F, 35 mm deep
CB 4007	69400700*	For CF 400 and RCP(M) 400 F, 65 mm deep
CB 4010	69401000*	For CF 400 and RCP(M) 400 F, 100 mm deep

Scope Of Delivery: Base, screws

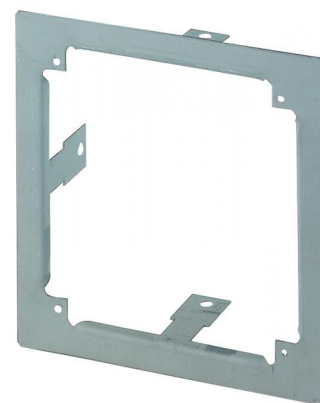
Notes: The CB bases can also be used as EMC protection with the RCP/RCPM...F enclosures.



Flush-mounted frame, galvanised sheet steel

Model	Order no.	Note
CR 130	69013050*	For CF 130
CR 160	69016050*	For CF 160
CR 200	69020050*	For CF 200
CR 250	69025050*	For CF 250
CR 310	69031050*	For CF 310
CR 400	69040050*	For CF 400

Scope Of Delivery: Flush-mounted frame, screws



RegloCard-Plus / Combifront

Front and mounting panels



Mounting panels, laminated paper

Model	Order no.	Colour	Note
RCP/RCPM 130 M	41000350	Brown	For RCP(M) 130(0)
RCP/RCPM 160/170 M	41000400	Brown	For RCP(M) 160(0) / 170(0)
RCP/RCPM 200 M	41000500	Brown	For RCP(M) 200(0)
RCP/RCPM 250 M	41000600	Brown	For RCP(M) 250(0)
RCP/RCPM 310 M/350 M	41000700	Brown	For RCP(M) 310(0) / 350(0)
RCP/RCPM 400 M	41000800	Brown	For RCP(M) 400(0)

Scope Of Delivery: 1 mounting panel



Front panels, natural-coloured anodised aluminium

Model	Order no.	Note
FAE 130	27000100	For RCP(M) 130(0), 1 mm
FAE 160/170	27000300	For RCP(M) 160(0) / 170(0), 1 mm
FAE 200	27000500	For RCP(M) 200(0), 1 mm
FAE 250	27000700	For RCP(M) 250(0), 1 mm
FAE 310/350	27000900	For RCP(M) 310(0) / 350(0), 1 mm
FAE 400	27120000	For RCP(M) 400(0), 1,5 mm

Scope Of Delivery: 1 front panel

RegloCard-Plus / Combifront

Accessories

Cylinder lock / hand knob for retro-fitting in the snap-lock mechanism

Model	Order no.	Note
SHLO-302	21008310	Cylinder lock
RCP/RCPM - HK	41002501	Hand knob

Scope Of Delivery: 1 lock and 2 keys or 1 hand knob

Notes: The cylinder catch or hand knob can be retrofitted into the snap-lock opening. If a blind plug or catch has been fitted, it can be released and pushed out from the rear.



Wall brackets, screw-on at rear

Model	Order no.
RCP/RCPM - WL	41000309

Scope Of Delivery: 2 pieces

Notes: For 4-point wall fixing without opening the enclosure. Fitting to rear of enclosure from the outside. Suitable for all enclosures in this series.

