

## The product advantages



The subracks in the Interzoll ranges are especially suitable for basic applications in which no measures are required for EMC screening. For EMC requirements we recommend the Interzoll Modul range.



Selected variants are equipped with aluminium profile single-piece side panels fitted with an integrated mounting flange. This guarantees a high level of mechanical stability coupled with excellent cost effectiveness.



Double profiles ensure fast, efficient mounting.



Subracks and accessories with BN designations are certified for use in buses and rail vehicles.



Locking of the card guides is by means of snap bolts which can easily be released by finger activation. Easy operation even when slot positions are close together.



**Quick-Finder:**  
[www.bopla.de/53](http://www.bopla.de/53)

## Examples of use



# Interzoll



**Colour:**

Profiles aluminium, anodized in natural color

**Protection class:**

Up to IP40 / DIN EN 60529 to the built-in front

**Material:**

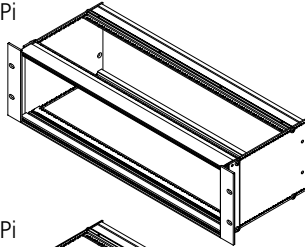
Profiles: Al Mg Si 0,5

For details see technical information.

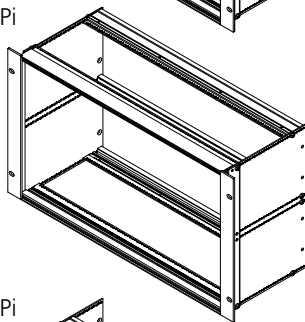


## Enclosure sizes

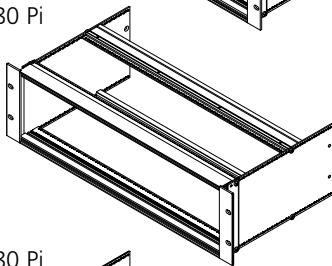
BGT M 18380 Pi



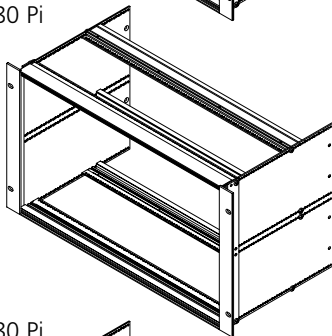
BGT M 18680 Pi



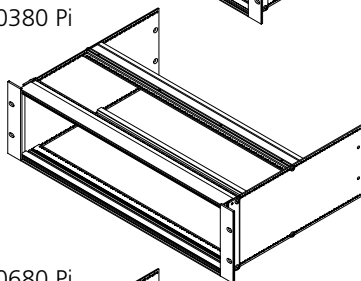
BGT M 24380 Pi



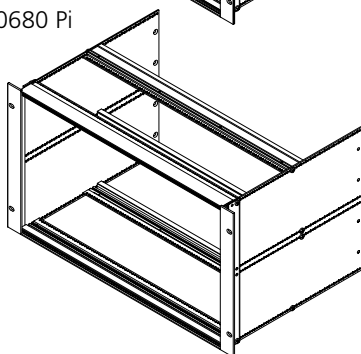
BGT M 24680 Pi



BGT M 30380 Pi

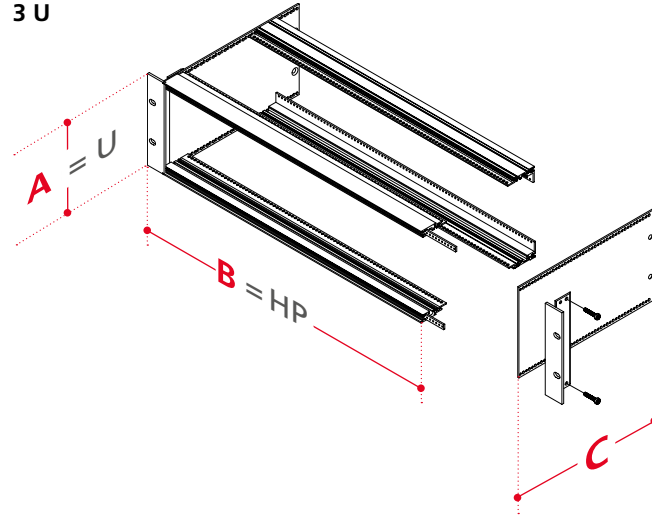


BGT M 30680 Pi



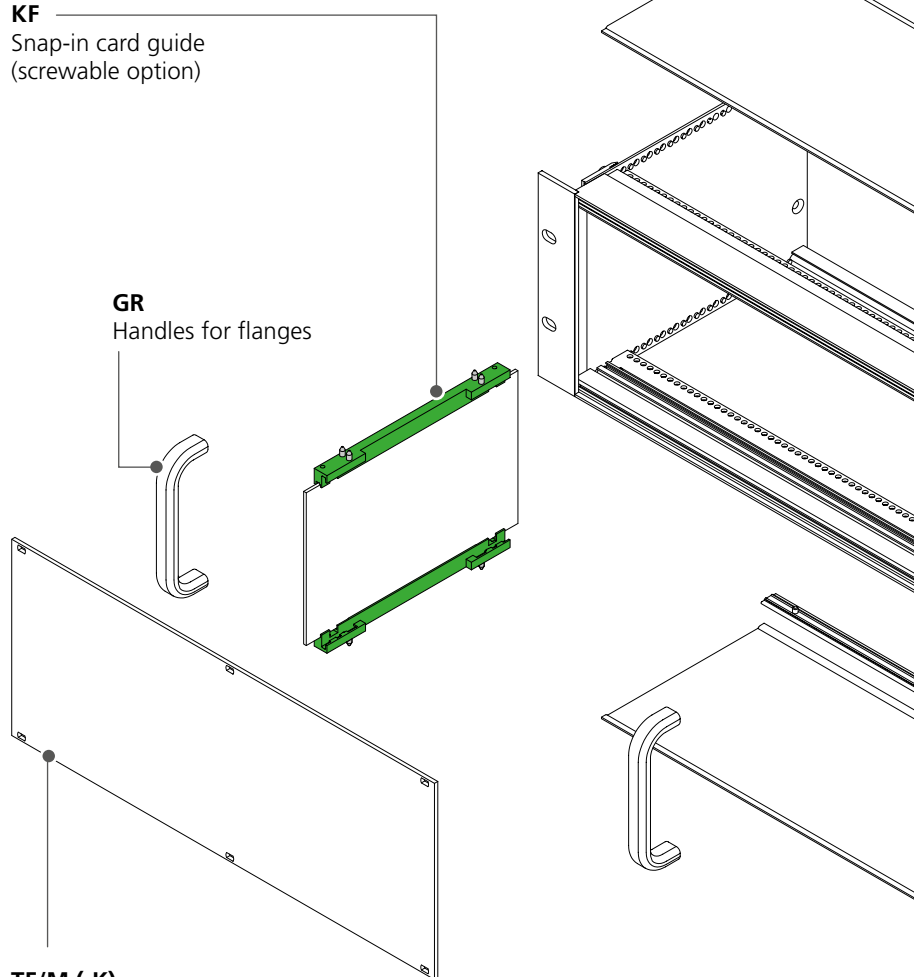
## Design types

**3 U**



**KF**

Snap-in card guide  
(screwable option)



**GR**

Handles for flanges

**TF/M (-K)**

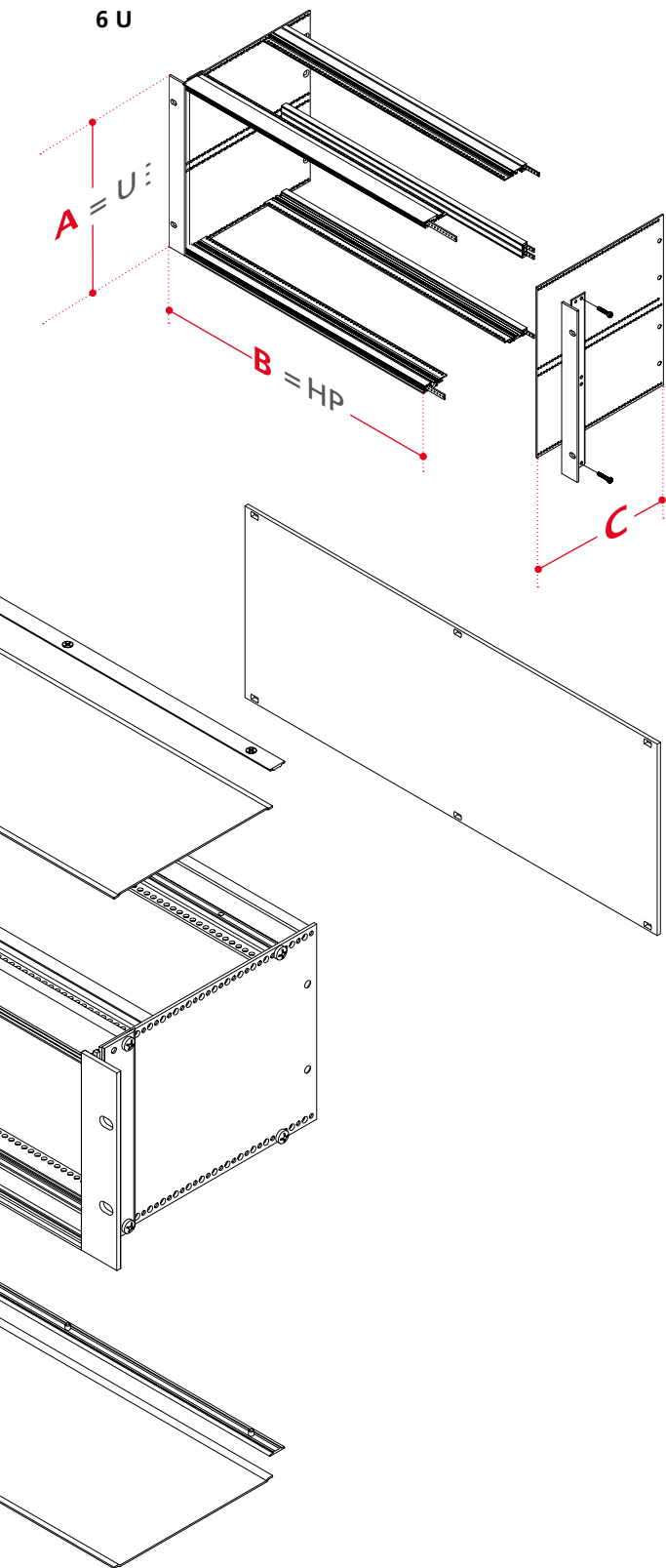
Part front panels  
(collapsible option)



**BOPLA**

A Phoenix Mecano Company

# Interzoll



## Dimensions

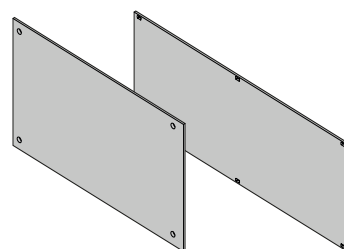
Model	A	B	C	HP
<b>3 U</b> For backplanes (.Pi) or connectors (.12)				
BGT 18340	132.5	269.24	178.24	42
BGT 24340	132.5	269.24	238.24	42
BGT 30340	132.5	269.24	298.24	42
BGT 18360	132.5	375.92	178.24	63
BGT 24360	132.5	375.92	238.24	63
BGT 30360	132.5	375.92	298.24	63
BGT 18380	132.5	482.6	178.24	84
BGT 24380	132.5	482.6	238.24	84
BGT 30380	132.5	482.6	298.24	84
<b>3 U</b> With profile side panel for backplanes or connectors (BN 411 002)				
BGT 22340(-BN)	132.5	269.24	218.24	42
BGT 22360(-BN)	132.5	375.92	218.24	63
BGT 22380(-BN)	132.5	482.6	218.24	84
<b>6 U</b> For backplanes (.Pi) or connectors (.12)				
BGT 18640	265.85	269.24	178.24	42
BGT 24640	265.85	269.24	238.24	42
BGT 30640	265.85	269.24	298.24	42
BGT 18660	265.85	375.92	178.24	63
BGT 24660	265.85	375.92	238.24	63
BGT 30660	265.85	375.92	298.24	63
BGT 18680	265.85	482.6	178.24	84
BGT 24680	265.85	482.6	238.24	84
BGT 30680	265.85	482.6	298.24	84
<b>6 U</b> With profile side panel for backplanes or connectors				
BGT 22640	265.85	269.24	218.24	42
BGT 22660	265.85	375.92	218.24	63
BGT 22680	265.85	482.6	218.24	84

## Accessories



Handles / Flanges

Various profiles e.g. front profiles, (double) bus profiles, rear profiles, double connector profiles, snap profiles, end profiles



Front and part front panels in different versions



Card guide, one and three parts

# Interzoll

## Subrack for backplanes (.Pi)

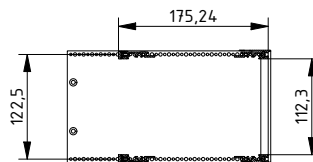
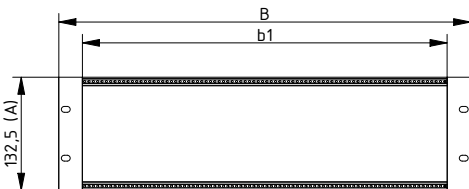
### Subrack, 3 U, for backplanes (.Pi)



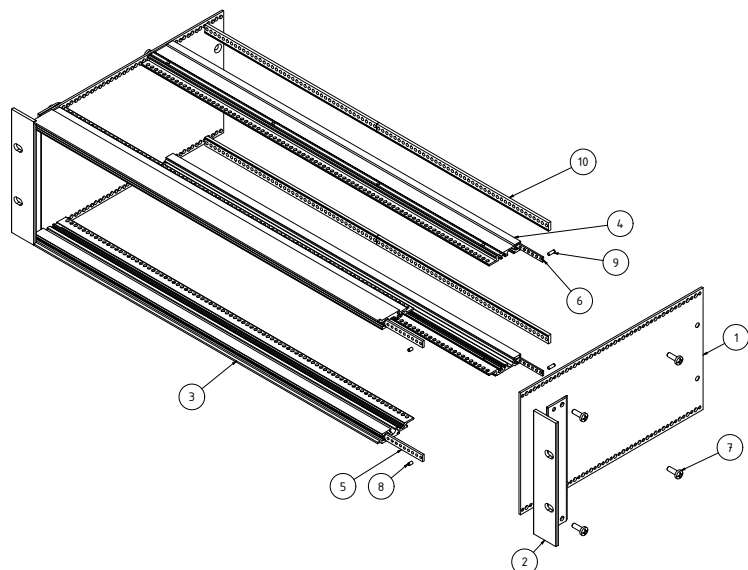
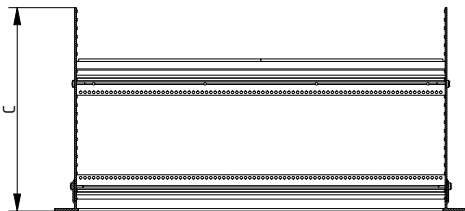
Model	Order no.	A	B	C	b1	U	HP	Card depth
BGT 18340.Pi	53183425	132.5	269.24	178.24	213.36	3	42	160
BGT 24340.Pi	53243425	132.5	269.24	238.24	213.36	3	42	160, 220
BGT 30340.Pi	53303425	132.5	269.24	298.24	213.36	3	42	160, 220, 280
BGT 18360.Pi	53183625	132.5	375.92	178.24	320.04	3	63	160
BGT 24360.Pi	53243625	132.5	375.92	238.24	320.04	3	63	160, 220
BGT 30360.Pi	53303625	132.5	375.92	298.24	320.04	3	63	160, 220, 280
BGT 18380.Pi	53183825	132.5	482.6	178.24	426.72	3	84	160
BGT 24380.Pi	53243825	132.5	482.6	238.24	426.72	3	84	160, 220
BGT 30380.Pi	53303825	132.5	482.6	298.24	426.72	3	84	160, 220, 280

**Scope Of Delivery:** 1) 2 side panels (BSW ..300) 2) 2 flanges (FL 00300) 3) 2 front profiles (PF 000..) 4) 2 bus profiles (PB 000..) 5) 2 tapped strips for front panel fixing (GS 000.. I) 6) 2 tapped strips for backplane fixing (GS 000.. II) 7) 8 screws M4 x 12 (BFS 0100) 8) 2 M2.5x5 (GSE-5) slotted set screws 9) 2 M2.5x8 (GSE-8) slotted set screws 10) 4 insulating strips (IS 00042)

**Notes:** Subrack with handle on request.



Z-2903312



# Interzoll

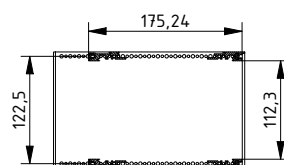
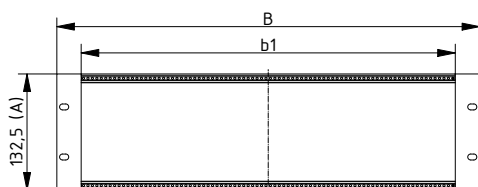
## Subrack for backplanes (.Pi)

### Subrack with profile side wall 3 U for backplanes (.Pi)

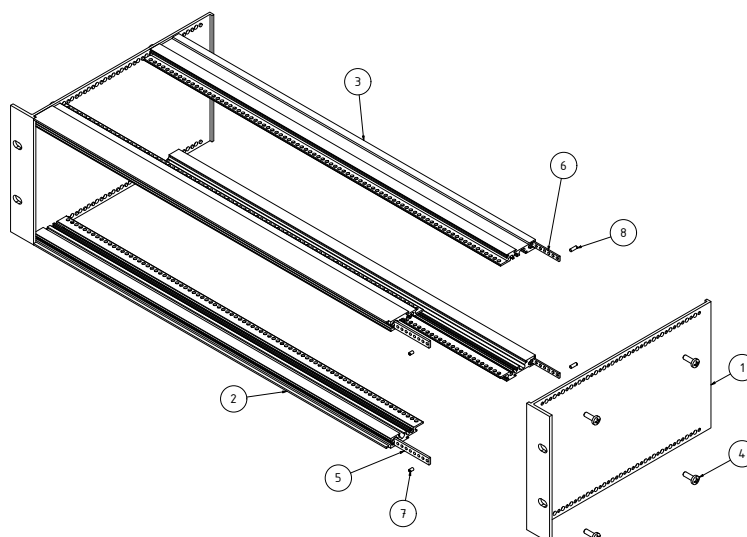
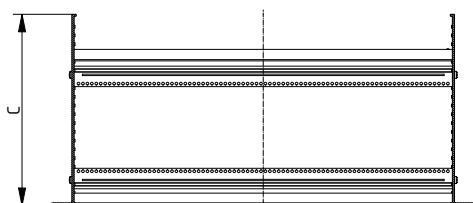
Model	Order no.	A	B	C	b1	U	HP	Card depth
BGT 22340.Pi	<b>53223425</b>	132.5	269.24	218.24	213.36	3	42	160
BGT 22360.Pi	<b>53223625</b>	132.5	375.92	218.24	320.04	3	63	160
BGT 22380.Pi	<b>53223825</b>	132.5	482.6	218.24	426.72	3	84	160



**Scope Of Delivery:** 1) 2 side panels with integrated flange (BSW 22300) 2) 2 front profiles (PF 000..) 3) 2 bus profiles (PBK 000..) 4) 8 screws M4 x 12 (BFS 0100) 5) 2 tapped strips for front panel fixing (GS 000.. I) 6) 2 tapped strips for backplane fixing (GS 000.. II) 7) 2 M2.5x5 (GSE-5) slotted set screws 8) 2 M2.5x8 (GSE-8) slotted set screws



Z-2903313



# Interzoll

## Subrack for backplanes (.Pi)

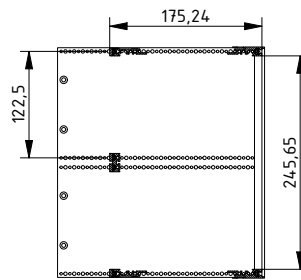
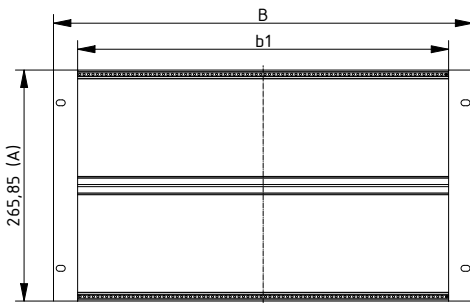
### Subrack 6 U for backplanes (.Pi)



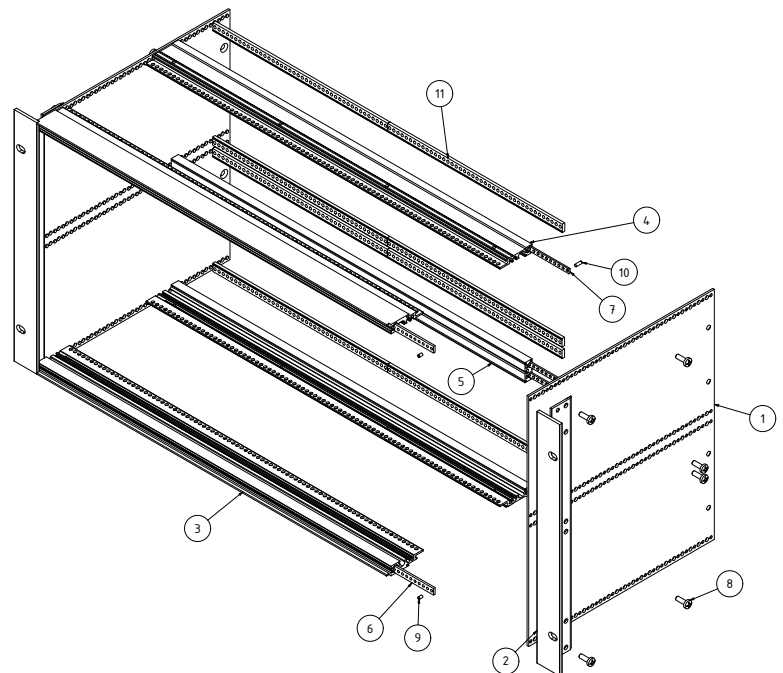
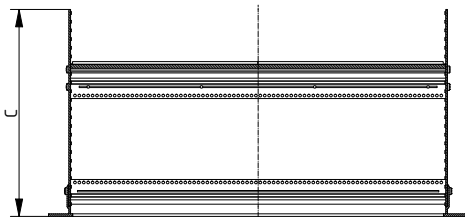
Model	Order no.	A	B	C	b1	U	HP	Card depth
BGT 18640.Pi	53186425	265.85	269.24	178.24	213.36	6	42	160
BGT 24640.Pi	53246425	265.85	269.24	238.24	213.36	6	42	160, 220
BGT 30640.Pi	53306425	265.85	269.24	298.24	213.36	6	42	160, 220, 280
BGT 18660.Pi	53186625	265.85	375.92	178.24	320.04	6	63	160
BGT 24660.Pi	53246625	265.85	375.92	238.24	320.04	6	63	160, 220
BGT 30660.Pi	53306625	265.85	375.92	298.24	320.04	6	63	160, 220, 280
BGT 18680.Pi	53186825	265.85	482.6	178.24	426.72	6	84	160
BGT 24680.Pi	53246825	265.85	482.6	238.24	426.72	6	84	160, 220
BGT 30680.Pi	53306825	265.85	482.6	298.24	426.72	6	84	160, 220, 280

**Scope Of Delivery:** 1) 2 side panels (BSW ..600) 2) 2 flanges (FL 00600) 3) 2 front profiles (PF 000..) 4) 2 bus profiles (PB 000..) 5) 1 double bus profile (PBD 006..) 6) 2 tapped strips for front panel fixing (GS 000.. I) 7) 2 tapped strips for backplane fixing (GS 000.. II) 8) 12 screws M4 x 12 (BFS 0100) 9) 2 M2.5x5 (GSE-5) slotted set screws 10) 4 M2.5x8 (GSE-8) slotted set screws 11) 8 insulating strips (IS 00042)

**Notes:** Subrack with handle on request.



Z-2903306



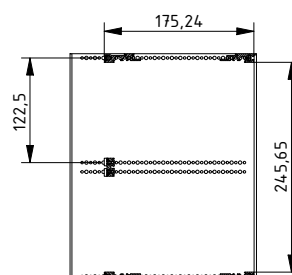
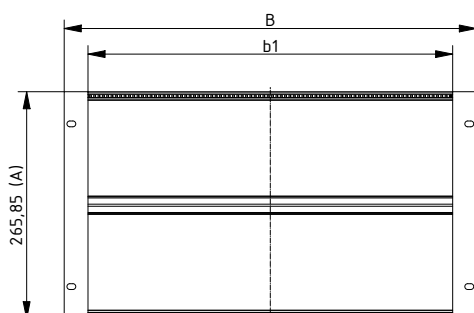
# Interzoll

## Subrack for backplanes (.Pi)

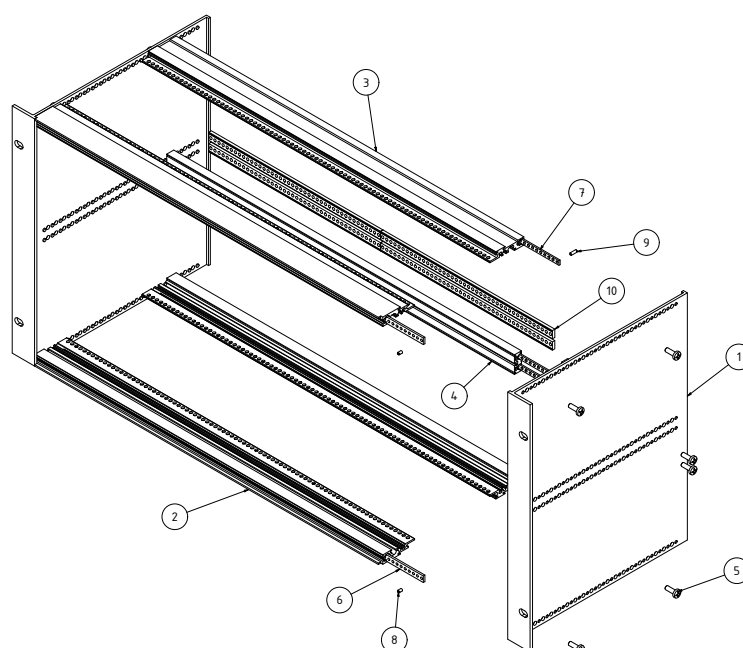
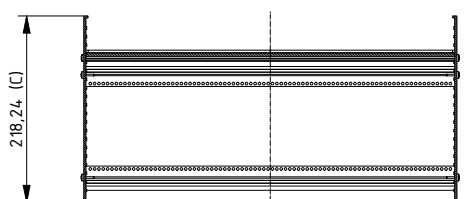
### Subrack with profile side wall 6 U for backplanes (.Pi)

Model	Order no.	A	B	C	b1	U	HP	Card depth
BGT 22640.Pi	<b>53226425</b>	265.85	269.24	218.24	213.36	6	42	160
BGT 22660.Pi	<b>53226625</b>	265.85	375.92	218.24	320.04	6	63	160
BGT 22680.Pi	<b>53226825</b>	265.85	482.6	218.24	426.72	6	84	160

**Scope Of Delivery:** 1) 2 side panels with integrated flange (BSW 22600) 2) 2 front profiles (PF 000..) 3) 2 bus profiles (PBK 000..) 4) 1 double bus profile (PBD 006..) 5) 12 screws M4 x 12 (BFS 0100) 6) 2 tapped strips for front panel fixing (GS 000.. I) 7) 2 tapped strips for backplane fixing (GS 000.. II) 8) 2 M2.5x5 (GSE-5) slotted set screws 9) 2 M2.5x8 (GSE-8) slotted set screws



Z-2903307





# Interzoll

## Subrack for connectors (.12)

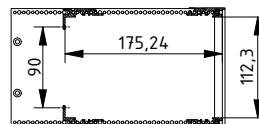
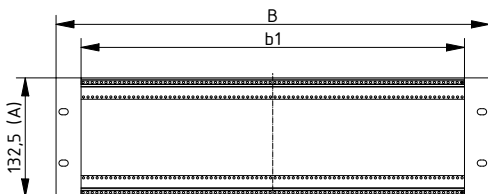
### Subrack 3 U for connectors (.12)



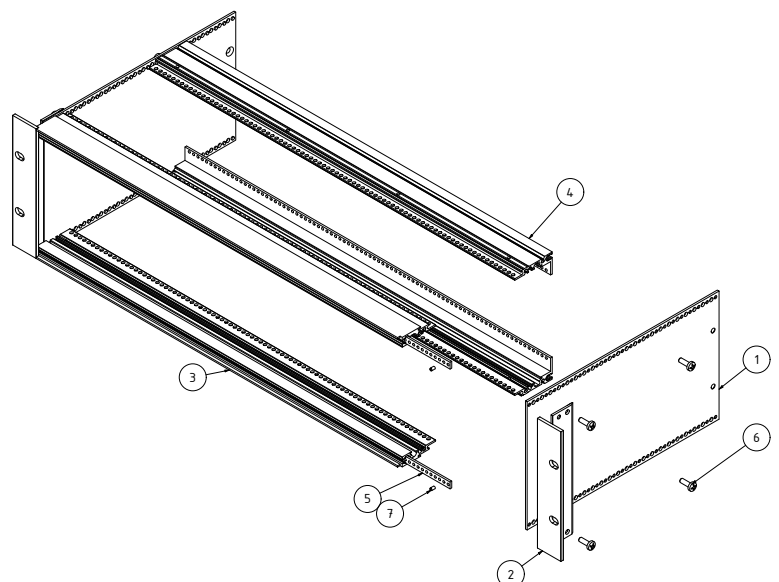
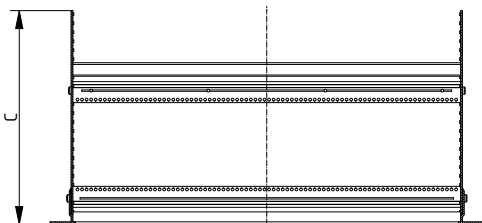
Model	Order no.	A	B	C	b1	U	HP	Card depth
BGT 18340.12	53183405	132.5	269.24	178.24	213.36	3	42	160
BGT 24340.12	53243405	132.5	269.24	238.24	213.36	3	42	160, 220
BGT 30340.12	53303405	132.5	269.24	298.24	213.36	3	42	160, 220, 280
BGT 18360.12	53183605	132.5	375.92	178.24	320.04	3	63	160
BGT 24360.12	53243605	132.5	375.92	238.24	320.04	3	63	160, 220
BGT 30360.12	53303605	132.5	375.92	298.24	320.04	3	63	160, 220, 280
BGT 18380.12	53183805	132.5	482.6	178.24	426.72	3	84	160
BGT 24380.12	53243805	132.5	482.6	238.24	426.72	3	84	160, 220
BGT 30380.12	53303805	132.5	482.6	298.24	426.72	3	84	160, 220, 280

**Scope Of Delivery:** 1) 2 side panels (BSW ..300) 2) 2 flanges (FL 00300) 3) 2 front profiles (PF 000..) 4) 2 rear profiles (PR 000... 12) 5) 2 tapped strips for front panel fixing (GS 000.. I) 6) 8 screws M4 x 12 (BFS 0100) 7) 2 M2.5x5 (GSE-5) slotted set screws

**Notes:** Subrack with handle on request.



Z-2904340



# Interzoll

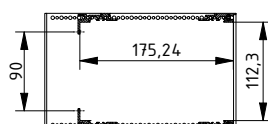
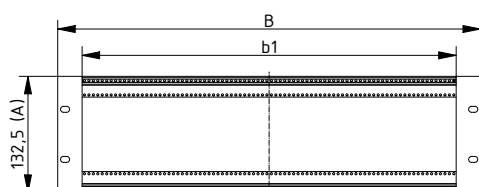
## Subrack for connectors (.12)

### Subrack with profile side wall 3 U for connectors (.12)

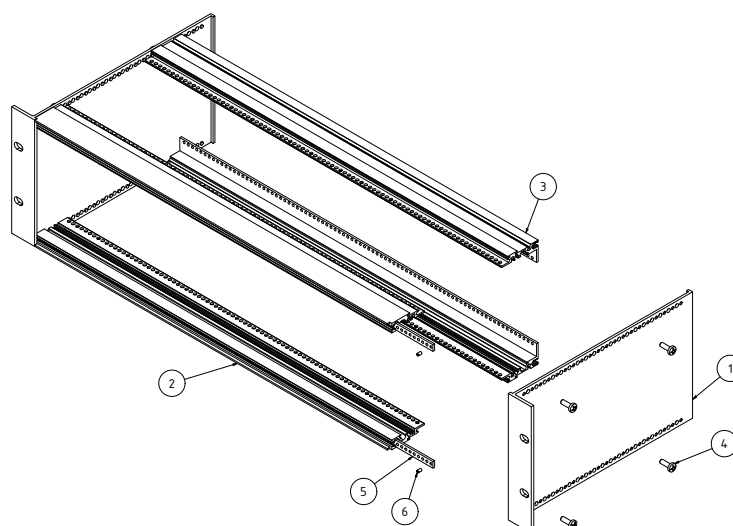
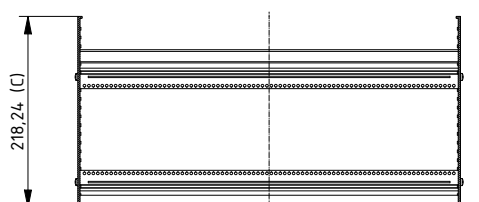
Model	Order no.	A	B	C	b1	U	HP	Card depth
BGT 22340.12	<b>53223405</b>	132.5	269.24	218.24	213.36	3	42	160
BGT 22360.12	<b>53223605</b>	132.5	375.92	218.24	320.04	3	63	160
BGT 22380.12	<b>53223805</b>	132.5	482.6	218.24	426.72	3	84	160



**Scope Of Delivery:** 1) 2 side panels with integrated flange (BSW 22300) 2) 2 front profiles (PF 000..) 3) 2 rear profiles (PRK 000.. .12) 4) 8 screws M4 x 20 (BFS 0600) 5) 2 tapped strips for front panel fixing (GS 000.. I) 6) 2 M2.5x5 (GSE-5) slotted set screws



Z-2904341



# Interzoll

## Subrack for connectors (.12)

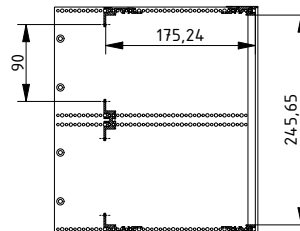
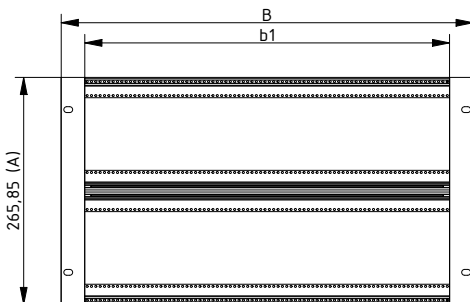


### Subrack 6 U for connectors (.12)

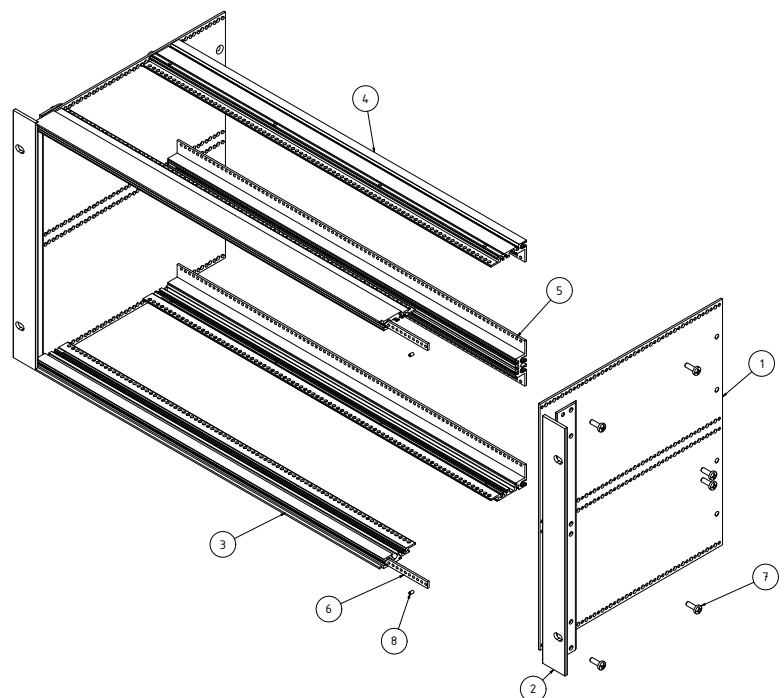
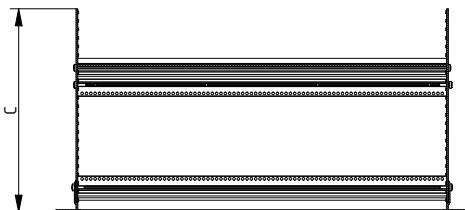
Model	Order no.	A	B	C	b1	U	HP	Card depth
BGT 18640.12	53186405	265.85	269.24	178.24	213.36	6	42	160
BGT 24640.12	53246405	265.85	269.24	238.24	213.36	6	42	160, 220
BGT 30640.12	53306405	265.85	269.24	298.24	213.36	6	42	160, 220, 280
BGT 18660.12	53186605	265.85	375.92	178.24	320.04	6	63	160
BGT 24660.12	53246605	265.85	375.92	238.24	320.04	6	63	160, 220
BGT 30660.12	53306605	265.85	375.92	298.24	320.04	6	63	160, 220, 280
BGT 18680.12	53186805	265.85	482.6	178.24	426.72	6	84	160
BGT 24680.12	53246805	265.85	482.6	178.24	426.72	6	84	160, 220
BGT 30680.12	53306805	265.85	482.6	298.24	426.72	6	84	160, 220, 280

**Scope Of Delivery:** 1) 2 side panels (BSW ..600) 2) 2 flanges (FL 00600) 3) 2 front profiles (PF 000..) 4) 2 rear profiles (PR 000.. .12) 5) 1 double rear profile (PSD 006.. .12) 6) 2 tapped strips for front panel fixing (GS 000.. I) 7) 12 screws M4 x 12 (BFS 0100) 8) 2 M2.5x5 (GSE-5) slotted set screws

**Notes:** Subrack with handle on request.



Z-2904343



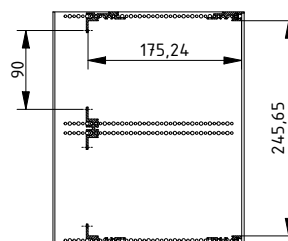
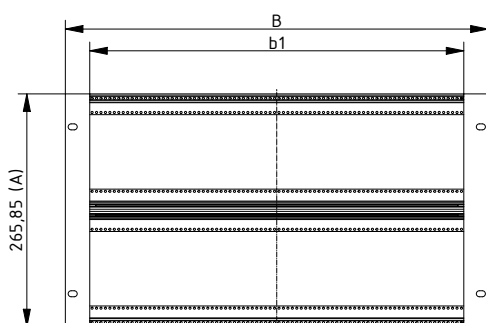
# Interzoll

## Subrack for connectors (.12)

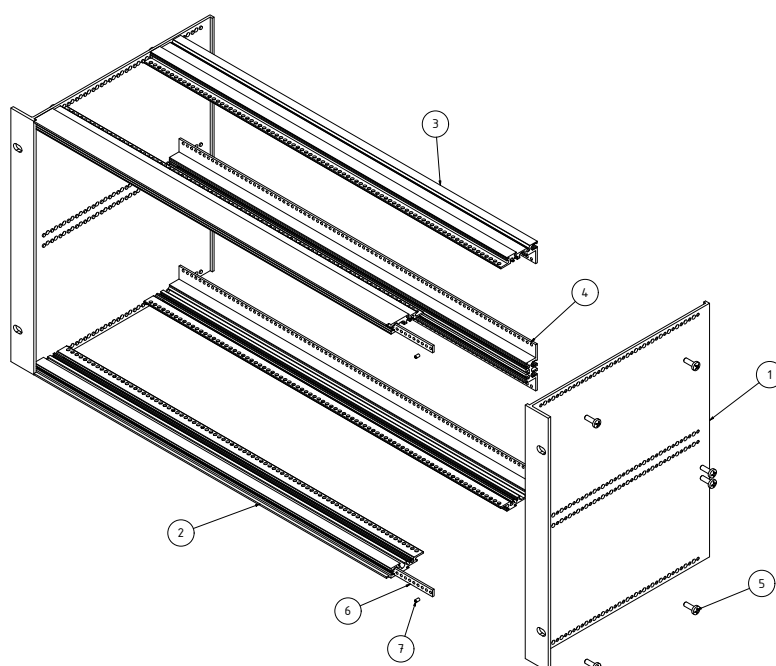
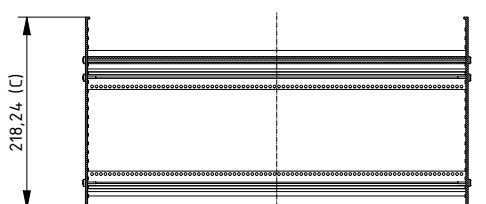
### Subrack with profile side wall 6 U for connectors (.12)

Model	Order no.	A	B	C	b1	U	HP	Card depth
BGT 22640.12	<b>53226405</b>	265.85	269.24	218.24	213.36	6	42	160
BGT 22660.12	<b>53226605</b>	265.85	375.92	218.24	320.04	6	63	160
BGT 22680.12	<b>53226805</b>	265.85	482.6	218.24	426.72	6	84	160

**Scope Of Delivery:** 1) 2 side panels with integrated flange (BSW 22600) 2) 2 front profiles (PF 000..) 3) 2 rear profiles (PRK 000.. .12) 4) 1 double rear profile (PSD 006.. .12) 5) 12 screws M4 x 12 (BFS 0100) 6) 2 tapped strips for front panel fixing (GS 000.. I) 7) 2 M2.5x5 (GSE-5) slotted set screws



Z-2904344



# Interzoll

[EMPTY TITLE - FILL IT IN ARTICLEROW OF CURRENT LANGUAGE (PR-ID: 400)]

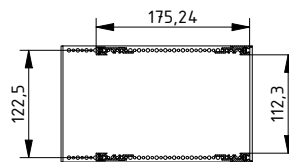
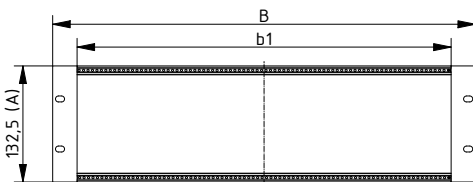
**Subrack for high mechanical load with profile side wall 3 U for backplanes (.Pi) tested acc. to Federal Railway standard BN 411 002**



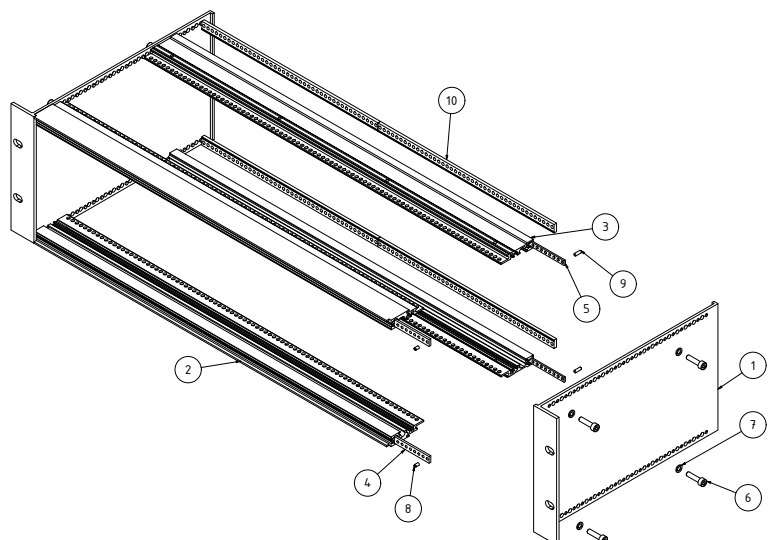
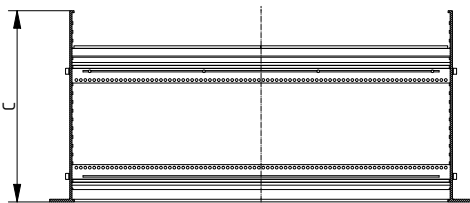
Model	Order no.	A	B	C	b1	U	HP	Card depth
BGT 22340.Pi-BN	<b>53223455</b>	132.5	269.24	218.24	213.36	3	42	160
BGT 22360.Pi-BN	<b>53223655</b>	132.5	375.92	218.24	320.04	3	63	160
BGT 22380.Pi-BN	<b>53223855</b>	132.5	482.6	218.24	426.72	3	84	160

**Scope Of Delivery:** 1) 2 side panels with integrated flange (BSW 22300) 2) 2 front profiles (PF 000..) 3) 2 bus profiles (PB 000..) 4) 2 tapped strips for front panel fixing (GS 000.. I) 5) 2 tapped strips for backplane fixing (GS 000.. II) 6) 8 screws M4 x 20 (BFS 0600) 7) 8 securing washers (BFS 0700) 8) 2 M2.5x5 (GSE-5) slotted set screws 9) 2 M2.5x8 (GSE-8) slotted set screws 10) 4 insulating strips (IS 00042)

**Notes:** Tested to Federal Railway standard BN 411 002. Approved for all electronic equipment on rail and bus vehicles. Approval test IABG-Ottobrunn for type BGT 22380.Pi/12-BN. Subrack with handle on request



Z-2903314



# Interzoll

[EMPTY TITLE - FILL IT IN ARTICLEROW OF CURRENT LANGUAGE (PR-ID: 400)]

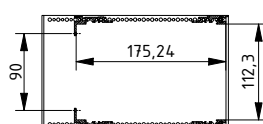
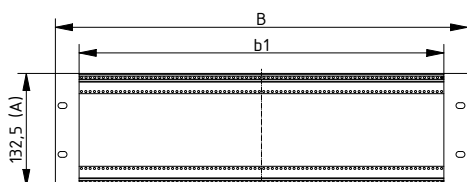
## Subrack for high mechanical load with profile side wall 3 U for connectors (.12) tested acc. to Federal Railway standard BN 411 002

Model	Order no.	A	B	C	b1	U	HP	Card depth
BGT 22340.12-BN	<b>53223465</b>	132.5	269.24	218.24	213.36	3	42	160
BGT 22360.12-BN	<b>53223665</b>	132.5	375.92	218.24	320.04	3	63	160
BGT 22380.12-BN	<b>53223865</b>	132.5	482.6	218.24	426.72	3	84	160

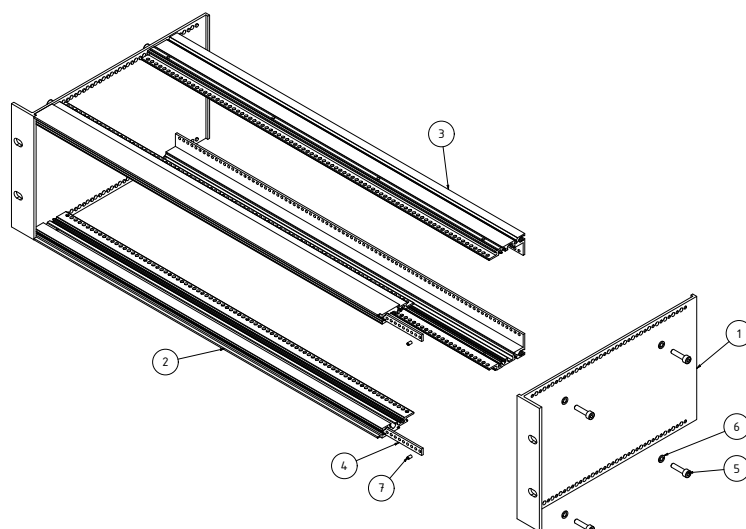
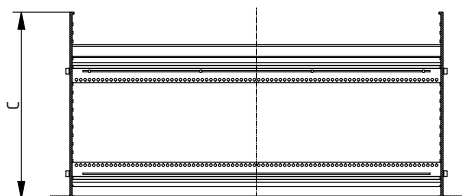


**Scope Of Delivery:** 1) 2 side panels with integrated flange (BSW 22300) 2) 2 front profiles (PF 000..) 3) 2 rear profiles (PRK 000.. .12) 4) 2 tapped strips for front panel fixing (GS 000.. I) 5) 8 screws M4 x 20 (BFS 0600) 6) 8 securing washers (BFS 0700) 7) 2 M2.5x5 (GSE-5) slotted set screws

**Notes:** Tested to Federal Railway standard BN 411 002. Approved for all electronic equipment on rail and bus vehicles. Approval test IABG-Ottobrunn for type BGT 22380.Pi/12-BN. Subrack with handle on request

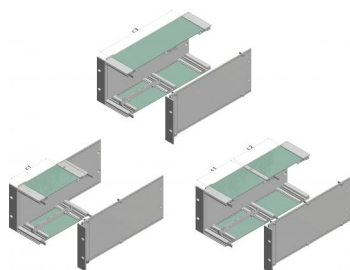


Z-2904342



# Interzoll

## Cover plates

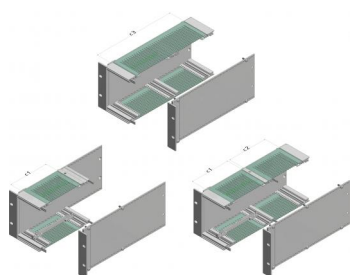


### Plain cover plates, galvanised lacquered sheet steel, light grey

Model	Order no.	c1	c2	c3	HP
ADG 06042	54960420	-	63	-	42
ADG 06063	54960630	-	63	-	63
ADG 06084	54960840	-	63	-	84
ADG 12084	54912840	123	123	-	84
ADG 13063	54913630	-	-	133	63
ADG 18042	54918420	183	183	-	42
ADG 18063	54918630	183	183	-	63
ADG 18084	54918840	183	183	-	84
ADG 19063	54919630	-	-	193	63
ADG 19084	54919840	-	-	193	84
ADG 25063	54925630	-	-	253	63
ADG 25084	54925840	-	-	253	84
ADG 31042	54931420	-	-	313	42
ADG 31084	54931840	-	-	313	84

**Scope Of Delivery:** 1 cover plate

**Notes:** On the BGT 22..., the ADG is inserted from the side. Clamp profile set EPS is required for mounting on all other subracks.



### Perforated cover plates, galvanised lacquered sheet steel, visible surface light grey lacquered, hole dia. 2,5 mm

Model	Order no.	c1	c2	c3	HP
ADG 06042-L	54960421	-	63	-	42
ADG 06063-L	54960631	-	63	-	63
ADG 06084-L	54960841	-	63	-	84
ADG 12063-L	54912631	123	123	-	63
ADG 12084-L	54912841	123	123	-	84
ADG 18084-L	54918841	183	183	-	84
ADG 25084-L	54925841	-	-	253	84
ADG 31042-L	54931421	-	-	313	42
ADG 31084-L	54931841	-	-	313	84

**Scope Of Delivery:** 1 cover plate

**Notes:** On the BGT 22..., the ADG is inserted from the side. Clamp profile set EPS is required for mounting on all other subracks.

# Interzoll

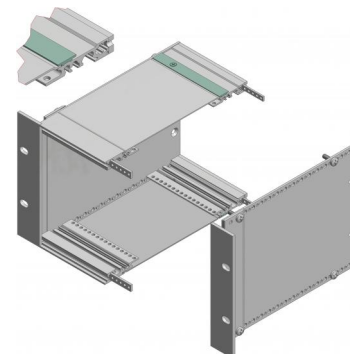
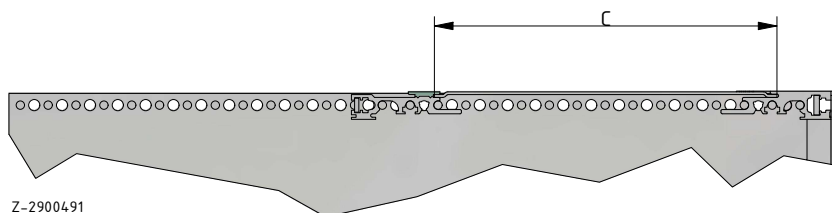
## Cover plates

### Clamp profile sets, natural-coloured anodised aluminium, for screwing on of the cover plates

Model	Order no.	HP
EPS 00042	<b>54002420</b>	42
EPS 00063	<b>54002630</b>	63
EPS 00084	<b>54002840</b>	84

**Scope Of Delivery:** 2 clamp profiles including mounting material (BFS 0200)

**Notes:** If a subrack with a profile side wall is used, the clamp profile is integrated with the bus or rear profile.

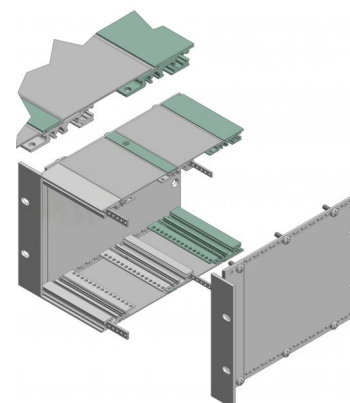
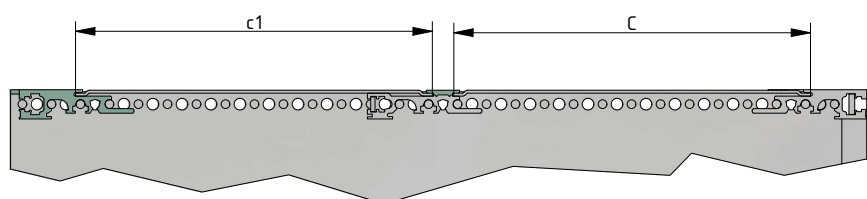


### Clamp profile sets-I, natural-coloured anodised aluminium, for screwing on 2 cover plates behind each other

Model	Order no.	HP
EPS 00042-I	<b>54002421</b>	42
EPS 00063-I	<b>54002631</b>	63
EPS 00084-I	<b>54002841</b>	84

**Scope Of Delivery:** 2 clamp profiles, 2 front profiles, mounting material (BFS 0200, BFS 0400)

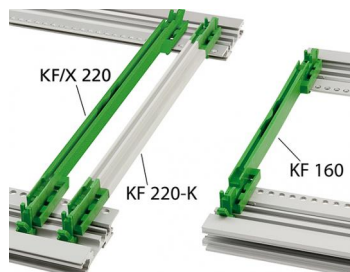
**Notes:** Front profiles for rear ADG mounting and cover. The EPS and EPS-I clamp profile sets are required for mounting of the cover plates (ADG...). This allows removal of the top covers without disassembly of the BGT side wall. Exception: If a subrack with a profile side wall is used, the clamp profile is integrated with the bus or rear profile.





# Interzoll

## Card guides

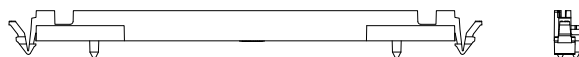


### Card guides, one and three parts, plastic, UL 94 V1 green

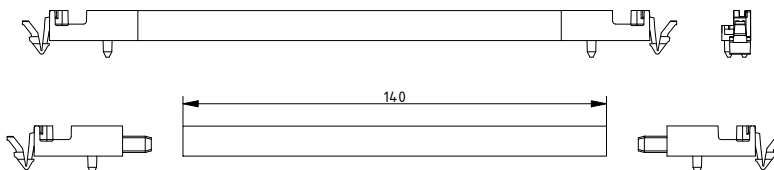
Model	Order no.	Card depth	Note
KF 160	<b>54700160</b>	160	one piece
KF/X 220	<b>89700220</b>	160	one piece
KF 220-K	<b>54700225</b>	220	three pieces

Scope Of Delivery: 10 card guides

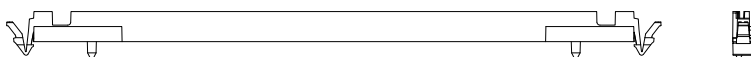
KF 160



KF 220-K



KF/X 220



Z-2904345

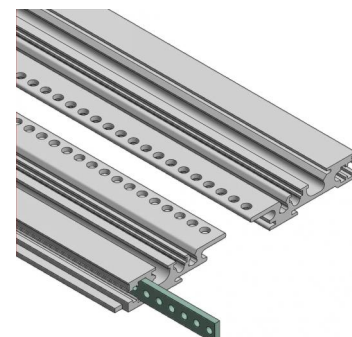
# Interzoll

## Thread and insulating strips

### Tapped strips, galvanised steel, M2.5, 7 x 2 mm, for part front panel fixing

Model	Order no.	HP
GS 00042-I	54000421	42
GS 00063-I	54000631	63
GS 00084-I	54000841	84

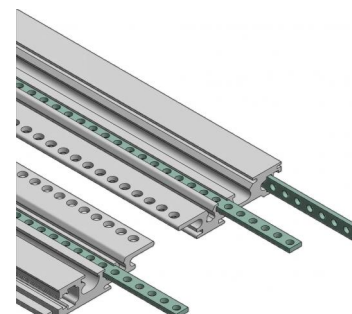
Scope Of Delivery: 2 tapped strips



### Tapped strips, galvanised steel, M2.5, 5 x 1.5 mm, for horizontal profile grooves and rear fixing of backplanes, insulating strips and Z rails

Model	Order no.	HP
GS 00042-II	54000422	42
GS 00063-II	54000632	63
GS 00084-II	54000842	84

Scope Of Delivery: 2 tapped strips



### Slotted set screw M2.5 x 8 / M2.5 x 5, V2A, for positioning and earthing the tapped strip

Model	Order no.	Note
GSE-5	54700390	L = 5 mm
GSE-8	54700395	L = 8 mm

Scope Of Delivery: 10 slotted set screws

Notes: GSE-5 for use in the recessed double groove, in the horizontal grooves (e.g. card guide screwing system) and in the double bus profiles for 6 U subracks and in the adapter profiles. GSE-8 for use in both double grooves.

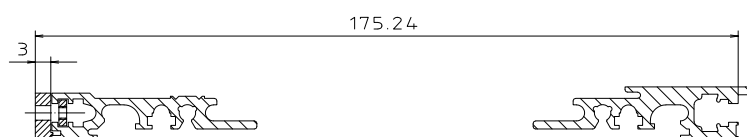
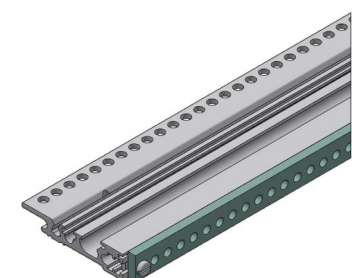


### Insulated plastic, UL 94 V1, for insulated fixing of backplanes

Model	Order no.	HP
IS 00042	54000142	42
IS 00063	54000163	63
IS 00080	54000180	80
IS 00084	54000184	84

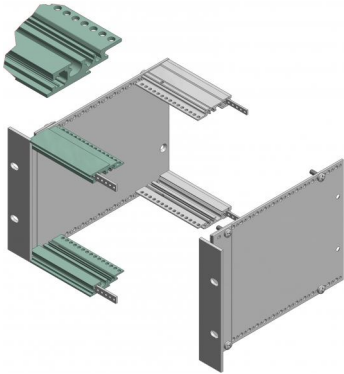
Scope Of Delivery: 4 insulating strips (IS 00042 = 2 insulating strips)

Notes: To achieve the necessary insertion depth when using bus profile rails.



# Interzoll

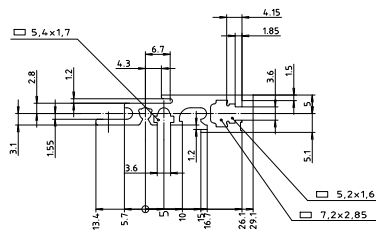
[EMPTY TITLE - FILL IT IN ARTICLEROW OF CURRENT LANGUAGE (PR-ID: 400)]



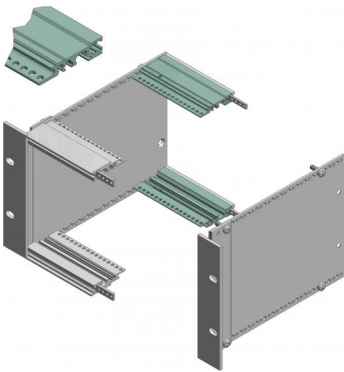
## Front profiles, natural-coloured anodised aluminium

Model	Order no.	HP
PF 00042	54200042	42
PF 00063	54200063	63
PF 00084	54200084	84

Scope Of Delivery: 1 front profile  
Notes: Additional sizes on request.



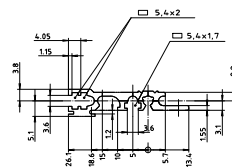
Z-2900417



## Bus profiles, natural-coloured anodised aluminium, for indirect backplane fixing

Model	Order no.	HP
PB 00042	54300042	42
PB 00063	54300063	63
PB 00084	54300084	84

Scope Of Delivery: 1 bus profile  
Notes: Additional sizes on request. Please order insulating strips separately.



Z-2900421

# Interzoll

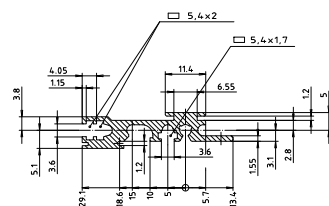
[EMPTY TITLE - FILL IT IN ARTICLEROW OF CURRENT LANGUAGE (PR-ID: 400)]

**Bus profiles with an integrated insulating strip clearance and clamp profile for ADG, natural-coloured anodised aluminium, for backplane fixing**

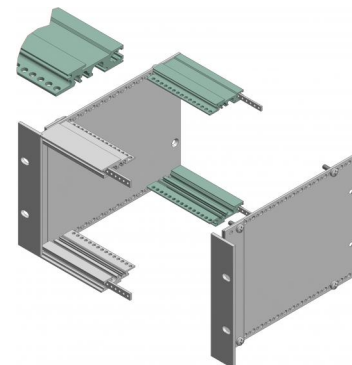
Model	Order no.	HP
PBK 00042	<b>54300142</b>	42
PBK 00063	<b>54300163</b>	63
PBK 00084	<b>54300184</b>	84

**Scope Of Delivery:** 1 bus profile

**Notes:** Additional sizes on request.



Z-2900860

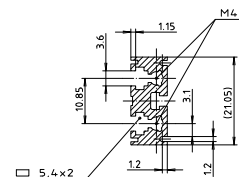


**Double bus profiles for subracks, 6 U, natural-coloured anodised aluminium, for backplane fixing**

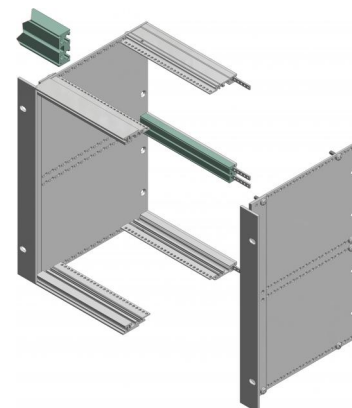
Model	Order no.	HP
PBD 00642	<b>54300642</b>	42
PBD 00663	<b>54300663</b>	63
PBD 00684	<b>54300684</b>	84

**Scope Of Delivery:** 1 double bus profile

**Notes:** Additional sizes on request. Please order insulating strips separately.



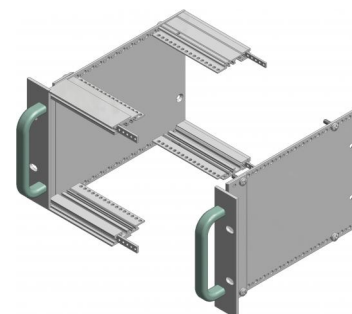
Z-2900423



**Handles for subracks, natural-coloured anodised aluminium**

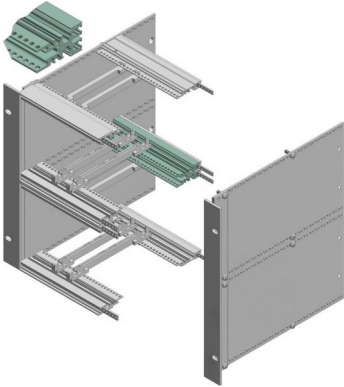
Model	Order no.	U
GR 00300	<b>54600320</b>	3
GR 00600	<b>54600620</b>	6

**Scope Of Delivery:** 2 handles including mounting material (BFS 0400)



# Interzoll

[EMPTY TITLE - FILL IT IN ARTICLEROW OF CURRENT LANGUAGE (PR-ID: 400)]

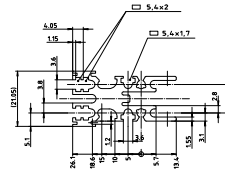


**Double bus profiles, natural-coloured anodised aluminium, for fitting of backplanes in BGT 6 U divided into 2 x 3 U**

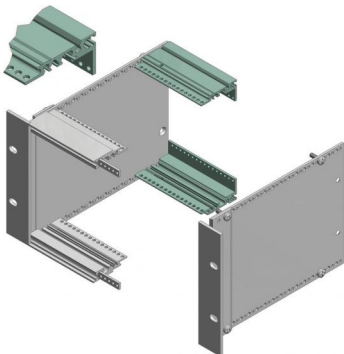
Model	Order no.	HP
PBD 00342	54300342	42
PBD 00363	54300363	63
PBD 00384	54300384	84

**Scope Of Delivery:** 1 double bus profile

**Notes:** Additional sizes on request. Please order insulating strips separately.



Z-2900422

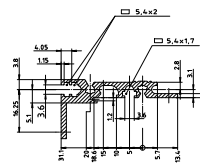


**Aluminium rear profiles, natural-coloured anodised, for connectors acc. to DIN EN 60603-2 (previously DIN 41612 )**

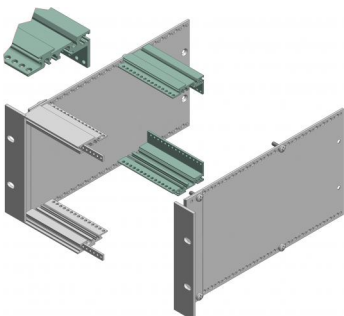
Model	Order no.	HP
PR 00042.12	54304200	42
PR 00063.12	54306300	63
PR 00084.12	54308400	84

**Scope Of Delivery:** 1 rear profile

**Notes:** Additional sizes on request.



Z-2900424

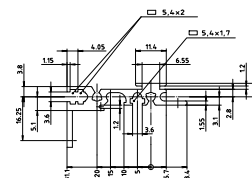


**Rear profiles, natural-coloured anodised aluminium, for connectors acc. to DIN EN 60603-2 (previously DIN 41612), with integrated clamp profile**

Model	Order no.	HP
PRK 00042.12	54364200	42
PRK 00063.12	54366300	63
PRK 00084.12	54368400	84

**Scope Of Delivery:** 1 rear profile

**Notes:** Additional sizes on request.



Z-2900861

# Interzoll

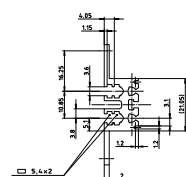
[EMPTY TITLE - FILL IT IN ARTICLEROW OF CURRENT LANGUAGE (PR-ID: 400)]

**Double rear profiles, natural-coloured anodised aluminium, for connectors acc. to DIN EN 60603-2 (previously DIN 41612)**

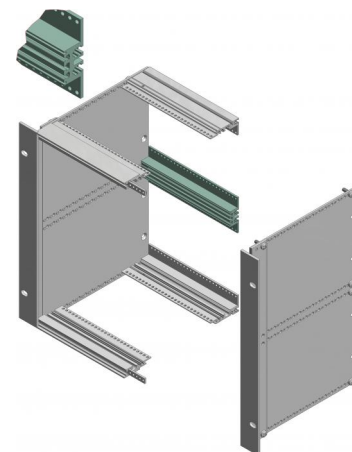
Model	Order no.	HP
PSD 00642.12	<b>54306420</b>	42
PSD 00663.12	<b>54306630</b>	63
PSD 00684.12	<b>54306840</b>	84

**Scope Of Delivery:** 1 double rear profile

**Notes:** Additional sizes on request.



Z-2900429

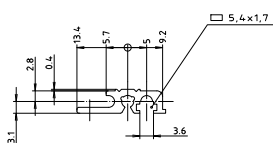


**Snap profiles, natural-coloured anodised aluminium, for holding card guides**

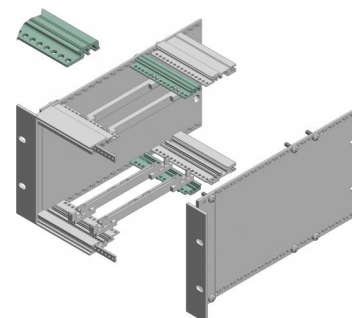
Model	Order no.	HP
RP 00042	<b>54400042</b>	42
RP 00063	<b>54400063</b>	63
RP 00084	<b>54400084</b>	84

**Scope Of Delivery:** 1 snap profile

**Notes:** Additional sizes on request.



Z-2900420

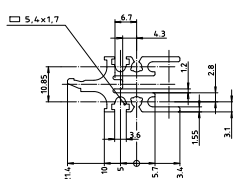


**Double snap profiles, natural-coloured anodised aluminium, for dividing a BGT 6 U into 2 x 3 U, snaps into PSD or PBD**

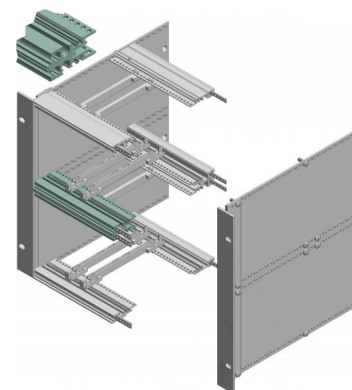
Model	Order no.	HP
RPD 00342	<b>54400342</b>	42
RPD 00363	<b>54400363</b>	63
RPD 00384	<b>54400384</b>	84

**Scope Of Delivery:** 1 double snap profile

**Notes:** Additional sizes on request.

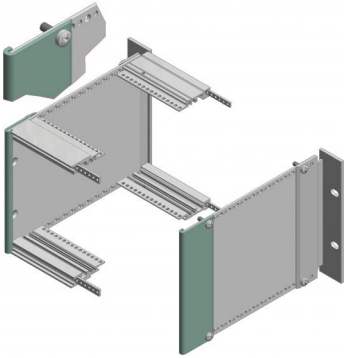


Z-2900428



# Interzoll

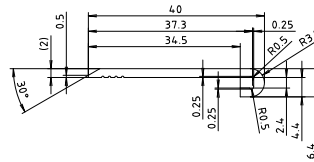
[EMPTY TITLE - FILL IT IN ARTICLEROW OF CURRENT LANGUAGE (PR-ID: 400)]



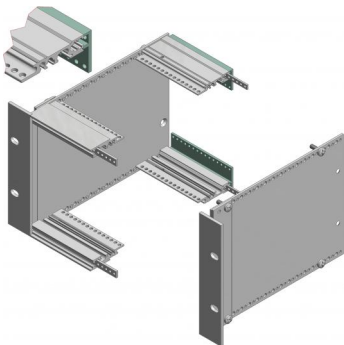
**End profile on rear, natural-coloured anodised aluminium, for subrack side panels**

Model	Order no.	U
RAP 00300	<b>54000300</b>	3
RAP 00600	<b>54000600</b>	6

**Scope Of Delivery:** 2 end profiles  
**Notes:** Additional sizes on request.



Z-2901671

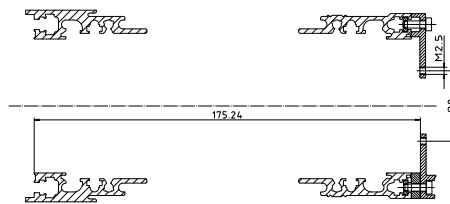


**Z-rails, natural-coloured anodised aluminium, for connectors acc. to DIN EN 60603-2 (formerly DIN 41612)**

Model	Order no.	HP
ZS 00042	<b>54001420</b>	42
ZS 00063	<b>54001630</b>	63
ZS 00084	<b>54001840</b>	84

**Scope Of Delivery:** 2 Z-rails

**Notes:** For conversion or extension of a backplane level to a mounting level for connectors acc. to DIN EN 60603-2. Additional sizes on request.



Z-2901644

# Interzoll

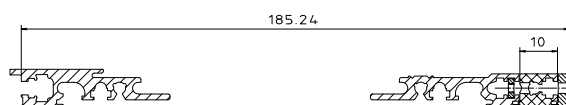
[EMPTY TITLE - FILL IT IN ARTICLEROW OF CURRENT LANGUAGE (PR-ID: 400)]

**Adapter profiles, natural-coloured anodised aluminium, for extending the insertion depth acc. to DIN EN 60603-2, types F, G, U, V**

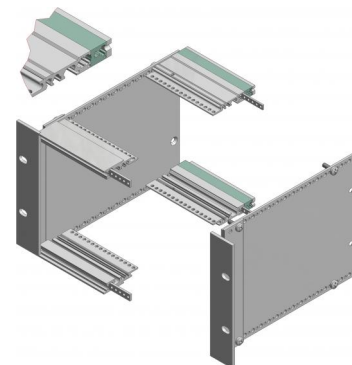
Model	Order no.	HP
AP 00042	<b>54000420</b>	42
AP 00063	<b>54000630</b>	63
AP 00084	<b>54000840</b>	84

**Scope Of Delivery:** 2 adapter profiles

**Notes:** Tapped strips GS 000.. II, Insulating strips IS 000..., Cheese-head screw BFS 0300 Larger quantities on request



Z-2900471

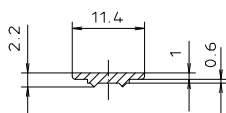


**Integrated clamp profiles, natural-coloured anodised aluminium, for fixing the ADG cover plates to the subrack**

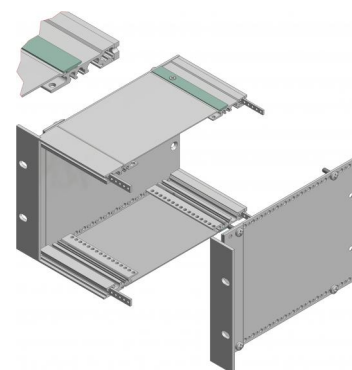
Model	Order no.	HP
KL 00042	<b>54600042</b>	42
KL 00063	<b>54600063</b>	63
KL 00084	<b>54600084</b>	84

**Scope Of Delivery:** 1 integrated clamp profile

**Notes:** For use for profiles PB, PR, RP. Additional sizes on request.



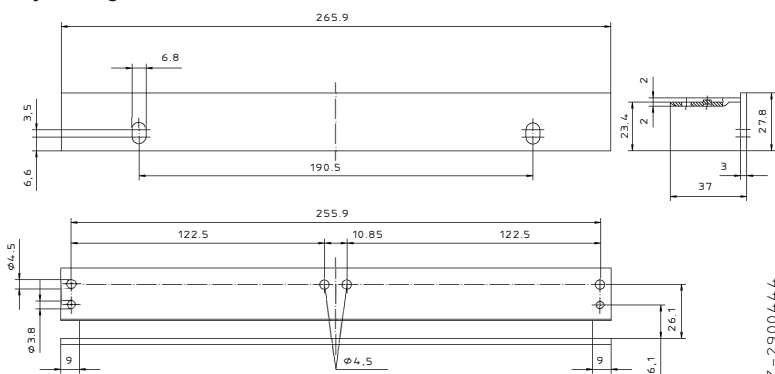
Z-2900427



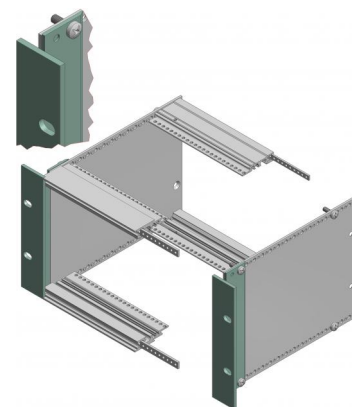
**Flanges 3 / 6 U for mounting with subrack side panels**

Model	Order no.	U
FL 00300	<b>54600300</b>	3
FL 00600	<b>54600600</b>	6

**Scope Of Delivery:** 2 flanges



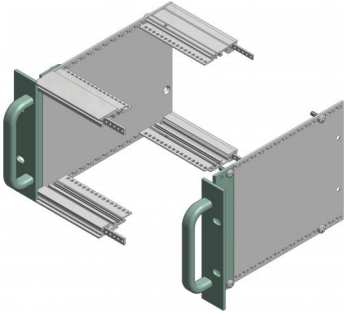
Z-2900444





# Interzoll

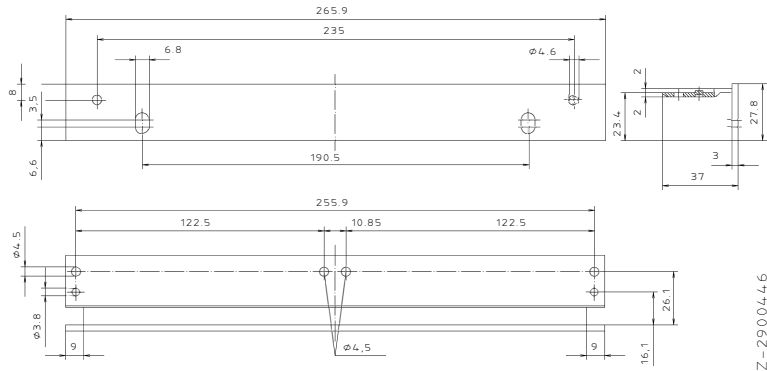
[EMPTY TITLE - FILL IT IN ARTICLEROW OF CURRENT LANGUAGE (PR-ID: 400)]



## Flanges 3 / 6 U for mounting with subrack side panels with handle drill holes

Model	Order no.	U
FLG 00300	<b>54600310</b>	3
FLG 00600	<b>54600610</b>	6

Scope Of Delivery: 2 flanges, incl. 2 handles and mounting material (BFS 0400)



# Interzoll

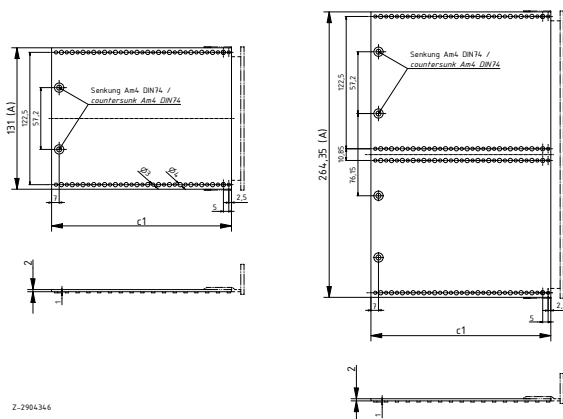
## Side panels

### Side panels, passivated aluminium, without flange

Model	Order no.	A	c1	U	Note
BSW 18300	<b>54018300</b>	131	166.6	3	Side panel depth 166,6
BSW 24300	<b>54024300</b>	131	226.6	3	Side panel depth 226,6
BSW 30300	<b>54030300</b>	131	286.6	3	Side panel depth 286,6
BSW 18600	<b>54018600</b>	264.35	166.6	6	Side panel depth 166,6
BSW 24600	<b>54024600</b>	264.35	226.6	6	Side panel depth 226,6
BSW 30600	<b>54030600</b>	264.35	286.6	6	Side panel depth 286,6

Scope Of Delivery: 1 side panel

Notes: Additional types on request.



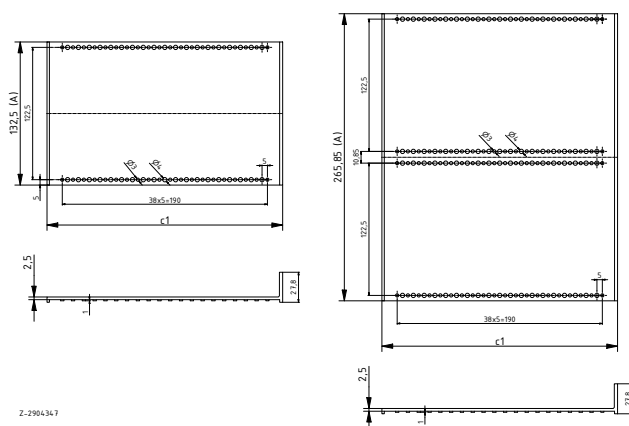
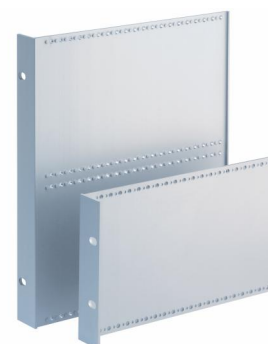
Z-2904346

### Side panels, natural-coloured anodised aluminium, with integrated flange

Model	Order no.	A	c1	U	Note
BSW 22300	<b>54022030</b>	132.5	218.24	3	Side panel depth 218,24
BSW 22600	<b>54022600</b>	265.85	218.24	6	Side panel depth 218,24

Scope Of Delivery: 1 side panel

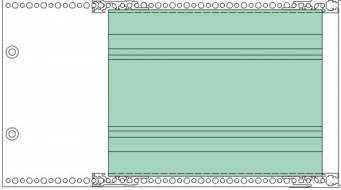
Notes: More versions, also with handle drill holes, on request.



Z-2904347

# Interzoll

## Accessories

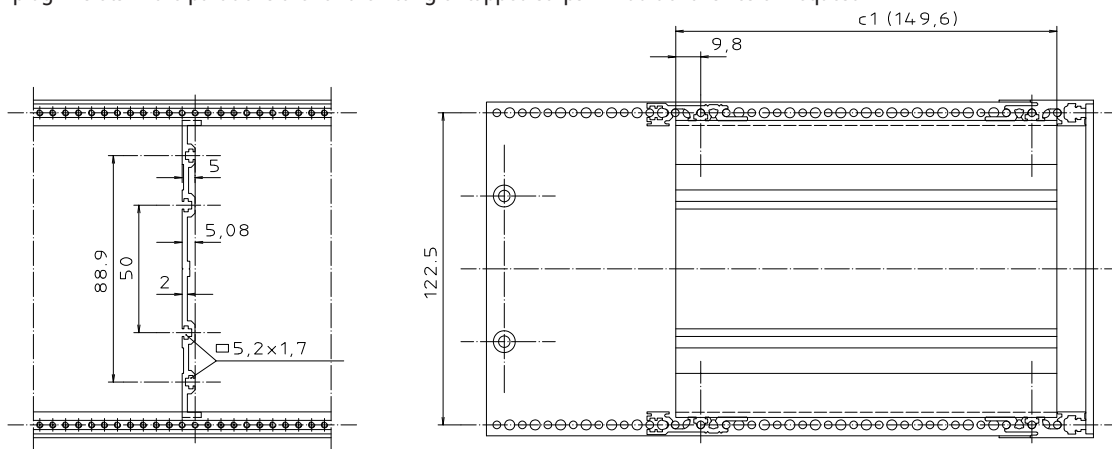


**Partition, 3 U, screwable, with slots for GS...II, natural-coloured anodised aluminium, for separating defined sections**

Model	Order no.	U	Card depth
TP 16300	<b>54016300</b>	3	160

**Scope Of Delivery:** 1 Trennplatte, 4 Schrauben M 2,5 x 5, 4x Gewindestreifen GS 00005-II

**Notes:** In place of the supplied square nuts, we recommend fitting the partitions with tapped strips GS ... II. The plug-in slots in the partitions are for the fitting of tapped strips II. Additional sizes on request.



Z-2900484

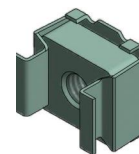
# Interzoll

## Screws

### Interzoll mounting material

Model	Order no.	Note
KM 5	<b>54700350</b>	M5 cage nut for fitting of BGT / FPS in the enclosure or cabinet
KS 5	<b>54700360</b>	M5 cross-head screw for fitting of BGT / FPS in the enclosure or cabinet
KU 5	<b>54700370</b>	Washer for KS 5, nickel-plated brass
BFS 0100	<b>54700010</b>	Recessed head screw M 4x12 for Interzoll profiles
BFS 0200	<b>54700020</b>	Countersunk screw M 3x5, cross-head, for fixing of clamp profiles
BFS 0300	<b>54700030</b>	Cheese-head screw M 2.5x8, slotted, for fixing of card earthing, card guide, insulating strip and Z rails
BFS 0600	<b>54700033</b>	Allen cheese-head screw M 4x20 for profile rails in railway-tested version
BFS 0700	<b>54700034</b>	Securing washer, Ø 4.3 mm, Allen screw BFS 0600

Scope Of Delivery: KM, KS, KU and BFS 0300 = 10 pieces; BFS = 20 pieces



KM 5



KS 5



KU 5



BFS 0100



BFS 0200



BFS 0300



BFS 0600



BFS 0700

# Interzoll

## Front panel

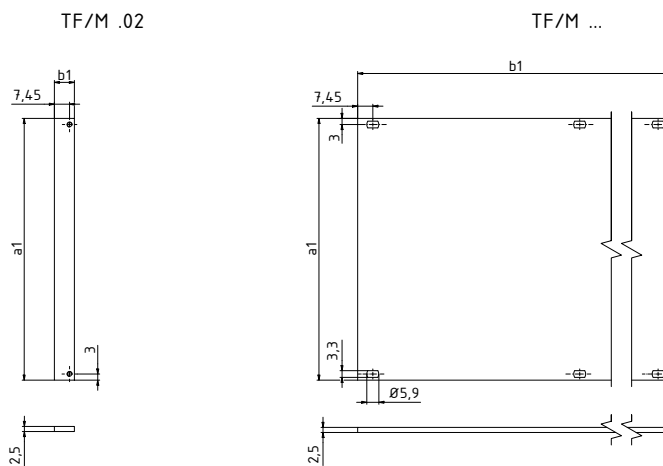


### Part front panels, natural-coloured anodised aluminium, passivated on rear

Model	Order no.	a1	b1	U	HP
TF/M 242	86842023	84.05	213.01	2	42
TF/M 263	86863023	84.05	319.69	2	63
TF/M 284	86884023	84.05	426.37	2	84
TF/M 302	86802033	128.5	9.81	3	2
TF/M 303	86803033	128.5	14.89	3	3
TF/M 304	86804033	128.5	19.97	3	4
TF/M 306	86806033	128.5	30.13	3	6
TF/M 307	86807033	128.5	35.21	3	7
TF/M 308	86808033	128.5	40.29	3	8
TF/M 310	86810033	128.5	50.45	3	10
TF/M 312	86812033	128.5	60.61	3	12
TF/M 314	86814033	128.5	70.77	3	14
TF/M 318	86818033	128.5	91.09	3	18
TF/M 319	86819033	128.5	96.17	3	19
TF/M 320	86820033	128.5	101.25	3	20
TF/M 321	86821033	128.5	106.33	3	21
TF/M 328	86828033	128.5	141.97	3	28
TF/M 340	86840033	128.5	202.85	3	40
TF/M 342	86842033	128.5	213.01	3	42
TF/M 363	86863033	128.5	319.69	3	63
TF/M 384	86884033	128.5	426.37	3	84
TF/M 484	86884043	172.95	426.37	4	84
TF/M 604	86804063	261.85	19.97	6	4
TF/M 605	86805063	261.85	25.05	6	5
TF/M 608	86808063	261.85	40.29	6	8
TF/M 628	86828063	261.85	141.89	6	28
TF/M 642	86842063	261.85	213.01	6	42
TF/M 684	86884063	261.85	426.37	6	84

Scope Of Delivery: 1 part front panel

Notes: Special sizes on request. Screw holders and collar screws as accessories.



Z-2904355

# Interzoll

## Front panel

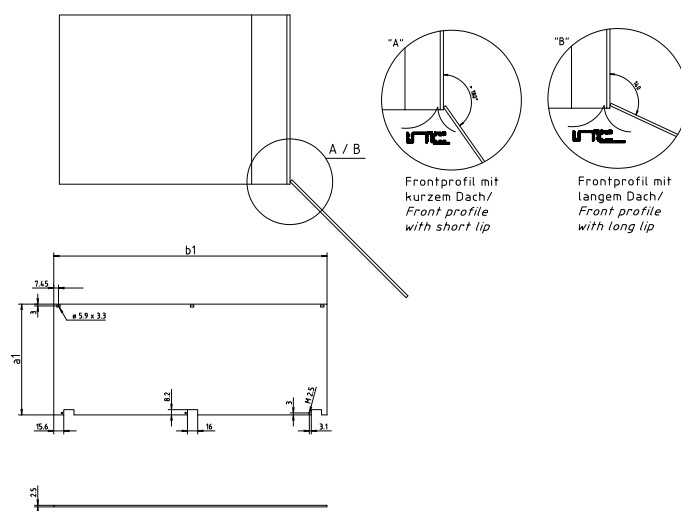
Front panels, 3 / 6 U, collapsible, front natural-coloured anodised aluminium, passivated on rear

Model	Order no.	a1	b1	U	HP
TF/M 342-K	<b>86842038</b>	128.5	213.01	3	42
TF/M 363-K	<b>86863038</b>	128.5	319.69	3	63
TF/M 384-K	<b>86884038</b>	128.5	426.37	3	84
TF/M 642-K	<b>86842068</b>	261.85	213.01	6	42
TF/M 663-K	<b>86863068</b>	261.85	319.69	6	63
TF/M 684-K	<b>86884068</b>	261.85	426.37	6	84



**Scope Of Delivery:** 1 front panel, 1 hinge set, 3 metal screw holders, 3 knurled screws BFS/M 2200, mounting material

**Notes:** The usable width is not restricted. Can be unhooked at 135° except for Internorm Stil. One tapped strip above and below is required for each fixing.



Z-2901867

# Interzoll

## Front panel



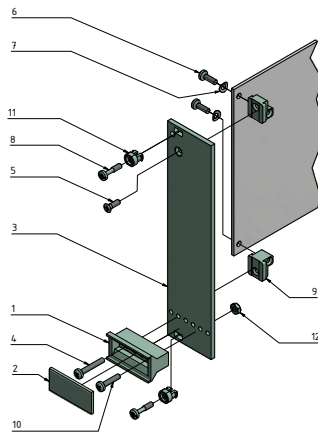
**Plug-in front panels, front natural-coloured anodised aluminium, passivated on rear, incl. handles, plastic, UL 94 V 0, light grey**

Model	Order no.	a1	b1	U	HP
ST/M 303	<b>86803037</b>	128.5	14.89	3	3
ST/M 304	<b>86804037</b>	128.5	19.97	3	4
ST/M 305	<b>86805037</b>	128.5	25.05	3	5
ST/M 306	<b>86806037</b>	128.5	30.13	3	6
ST/M 308	<b>86808037</b>	128.5	40.29	3	8
ST/M 309	<b>86809037</b>	128.5	45.37	3	9
ST/M 310	<b>86810037</b>	128.5	50.45	3	10
ST/M 312	<b>86812037</b>	128.5	60.61	3	12
ST/M 318	<b>86818037</b>	128.5	91.09	3	18
ST/M 321	<b>86821037</b>	128.5	106.33	3	21

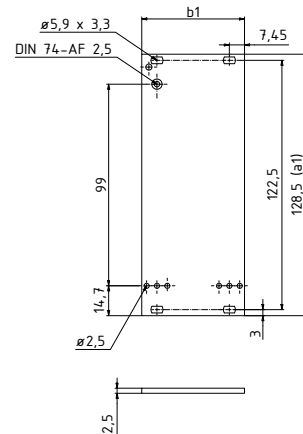
**Scope Of Delivery:** 1) 1 handle, trapezoidal shape (PPO-UL94 V-0) 2) 1 identification plate (aluminium 1.5 mm, anodised) 3) 1 front panel (aluminium 2.5 mm, front anodised, rear yellow chromated) 4) 1 cylinder head screw (SHR Z M 2.5x16) 5) 1 panhead screw (SHR S M 2.5x8) 6) 2 cylinder head screws (SHR Z M 2.5x8) 7) 2 spring discs (A 2.6) 8) up to 7 HP: 2 collar screws with recessed screw head (M 2.5x12.3, for plug-in front panels) 8) 8 HP and higher: 4 collar screws with recessed screw (M 2.5x12.3, for plug-in front panels) 9) 2 circuit board holders (ZN diecast, 2 threads M 2.5) 10) 1 cylinder head screw (SHR Z M 2.5x12) 11) up to 7 HP: 2 plastic screw holders (PA6, grey, unscreened, for plug-in front panels) 11) 8 HP and higher: 4 plastic screw holders (grey, unscreened, for plug-in front panels) 12) 1 hexagon nut (M 2.5 for version with metal circuit board holder)

**Notes:** Additional sizes on request.

ST/M 3..



Z-2904356



# Interzoll

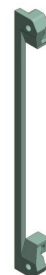
## Front panel

### Leiterkartenhalter und Befestigungsmaterial

Model	Order no.	Note
LKH/M 02	<b>86080020</b>	With 4 through holes for fixing front panels and circuit boards
LKH/M 03	<b>86080030</b>	With 2 M 2.5 threads for fixing of front panels and circuit boards
BFS/M 0100	<b>86000010</b>	SHR Z M 4x14-S0, toothed, galvanised steel, torx 20, for all Interzoll Modul profiles
BFS/M 0200	<b>86000020</b>	SHR Z KT 2.5x9.3, galvanised steel, torx 8, for FLS/M, KF/M...
BFS/M 1900	<b>86000190</b>	SHR Z M 2.5 x 8, anodised steel, cross-head, for FX/M, LKH/M 03
BFS/M 2000	<b>86000200</b>	MU M 2.5-6KT, galvanised steel, for LKH/M 02
BFS/M 2100	<b>86000210</b>	SHR S M 2.5x8, galvanised steel, cross-head, for ST/M (-EMV), LKH/M 02, 03
BFS/M 2600	<b>86000260</b>	SHR Z M 2.5x16, galvanised steel, recessed screw head, for LKH/M 02, 03

Scope Of Delivery: LKH/M: 10 Stück BFS/M: 20 Stück

LKH/M 02



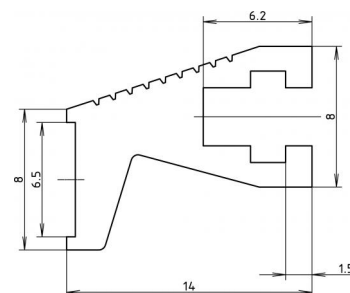
LKH/M 03



### Handle profile, natural-coloured anodised aluminium, metre profile

Model	Order no.
GRL/M 1000-AL	<b>86081740</b>

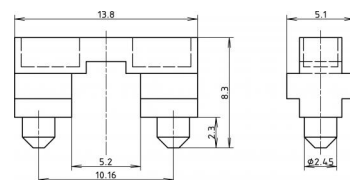
Scope Of Delivery: 1m handle profile



### Fixing piece, plastic, black, for fixing the handle profile GRL to the front panel

Model	Order no.
FX/M	<b>86081750</b>

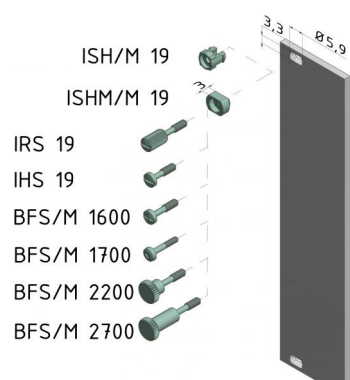
Scope Of Delivery: 20 fixing pieces



### Mounting material for part front panels and plug-in units

Model	Order no.	Note
ISH/M 19	<b>86080510</b>	Plastic screwholder, PA 6, grey
ISHM/M 19	<b>86080500</b>	Metal screw holder, stainless steel (1.4305), for conductive contacting for riveting to the front panel
IRS 19	<b>54700420</b>	Slotted knurled screw, collar screws SHR R M2.5x11.3x6.3-SP
IHS 19	<b>54700410</b>	Collar screws SHR Z M2.5x11.3x6.3-SP, slotted-head screw
BFS/M 1600	<b>86000160</b>	Collar screws, SHR Z M 2.5x12.3x6.5-SP, nickel-plated steel, for front panels
BFS/M 1700	<b>86000170</b>	Collar screws, SHR Z M 2.5x12.3x6.5-SP, nickel-plated steel, for front panels, torx 8
BFS/M 2200	<b>86000220</b>	Knurled screw without slot, SHR R M 2.5x12.3x6.5-SPx18.3, nickel-plated steel
BFS/M 2700	<b>86000270</b>	Knurled screw without slot, SHR R M 2.5x12.3x6.5-SPx25.3, anodised steel, for PF/M with long lip

Scope Of Delivery: ISH 19 / IRS 19 = 10 pieces, otherwise 20 pieces





# Interzoll

## Frame-type plug-in units

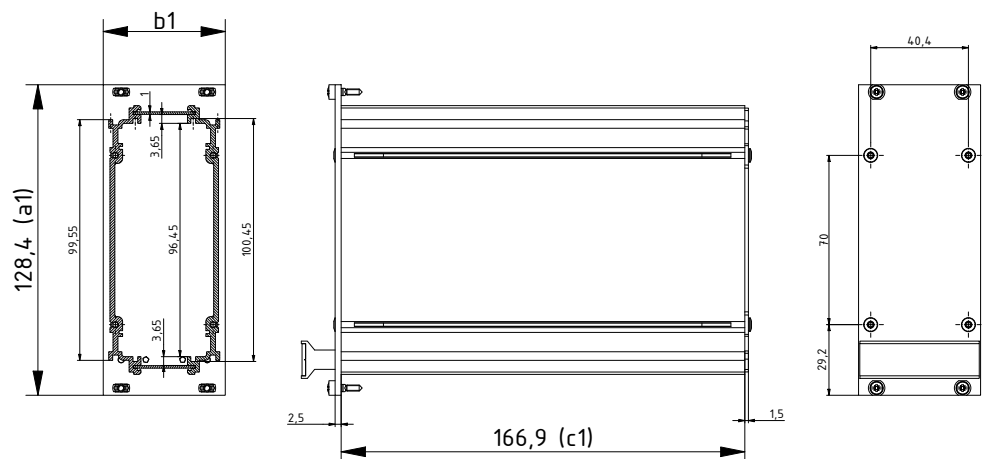


**Interzoll PRO frame-type plug-in units, 3 U, natural-coloured anodised aluminium front panel, colourless passivated aluminium side profiles, galvanised steel cover plates, plain, galvanised steel rear panel with one slot, 3 U**

Model	Order no.	a1	b1	c1	U	HP
IZK/M 16308-RW1-P	<b>85808311</b>	128.4	40.3	166.9	3	8
IZK/M 16310-RW1-P	<b>85810311</b>	128.4	50.46	166.9	3	10
IZK/M 16312-RW1-P	<b>85812311</b>	128.4	60.62	166.9	3	12
IZK/M 16314-RW1-P	<b>85814311</b>	128.4	70.78	166.9	3	14
IZK/M 16321-RW1-P	<b>85821311</b>	128.4	106.34	166.9	3	21
IZK/M 16328-RW1-P	<b>85828311</b>	128.4	141.9	166.9	3	28
IZK/M 16342-RW1-P	<b>85842311</b>	128.4	213.02	166.9	3	42

**Scope Of Delivery:** 1 front panel with handle, 2 side panels, 2 top covers, 1 rear panel, mounting material

**Notes:** Additional versions, 6 U, EMC or with hood on request.



Z-2904-357



**Cover plates, perforated, 1mm, galvanised sheet steel, for frame-type plug-in units, 3 U**

Model	Order no.	c1	HP
IZK/M 16008-ADL-P	<b>86090812</b>	167	8
IZK/M 16010-ADL-P	<b>86091012</b>	167	10
IZK/M 16012-ADL-P	<b>86091212</b>	167	12
IZK/M 16014-ADL-P	<b>86091412</b>	167	14
IZK/M 16021-ADL-P	<b>86092112</b>	167	21
IZK/M 16028-ADL-P	<b>86092812</b>	167	28
IZK/M 16042-ADL-P	<b>86094212</b>	167	42

**Scope Of Delivery:** 1 cover plate

**Notes:** c1 = Abdeckblechtiefe

# Interzoll

## Frame-type plug-in units

### Cover plates, perforated, 1mm, galvanised sheet steel, for PRO frame-type plug-in units, 3 U, to accommodate card guides

Model	Order no.	c1	HP
IZK/M 16008-ADL-KF-P	<b>86090813</b>	167	8
IZK/M 16010-ADL-KF-P	<b>86091013</b>	167	10
IZK/M 16012-ADL-KF-P	<b>86091213</b>	167	12
IZK/M 16014-ADL-KF-P	<b>86091413</b>	167	14
IZK/M 16021-ADL-KF-P	<b>86092113</b>	167	21
IZK/M 16028-ADL-KF-P	<b>86092813</b>	167	28
IZK/M 16042-ADL-KF-P	<b>86094213</b>	167	42

Scope Of Delivery: 1 cover plate

Notes: c1 = Abdeckblechtiefe



### Card guides for cover plates IZK/M-ADL-KF, plastic, UL 94 V0, red

Model	Order no.	Card depth
IZK/M KF-160-P	<b>86216030</b>	160

Scope Of Delivery: 10 card guides



### Rear panel open, galvanised sheet steel, for IZK/M frame-type plug-in units

Model	Order no.	HP
IZK/M 00308-RWO-P	<b>86090833</b>	8
IZK/M 00310-RWO-P	<b>86091033</b>	10
IZK/M 00312-RWO-P	<b>86091233</b>	12
IZK/M 00314-RWO-P	<b>86091433</b>	14
IZK/M 00321-RWO-P	<b>86092133</b>	21
IZK/M 00328-RWO-P	<b>86092833</b>	28
IZK/M 00342-RWO-P	<b>86094233</b>	42

Scope Of Delivery: 1 rear panel



### PCB and rear panel holder

Model	Order no.
LKH/M 09-P	<b>86080090</b>
LKH/M 10-P	<b>86080110</b>
RWH/M 01-P	<b>86080120</b>

Scope Of Delivery: LKH/M 10-P = 10 pieces (5 pairs right / left) RWH/M 01-P = 10 pieces



### Leiterkartenhalter und Befestigungsmaterial

Model	Order no.	Note
LKH/M 02	<b>86080020</b>	With 4 through holes for fixing front panels and circuit boards
LKH/M 03	<b>86080030</b>	With 2 M 2.5 threads for fixing of front panels and circuit boards
BFS/M 0100	<b>86000010</b>	SHR Z M 4x14-50, toothed, galvanised steel, torx 20, for all Interzoll Modul profiles
BFS/M 0200	<b>86000020</b>	SHR Z KT 2.5x9.3, galvanised steel, torx 8, for FLS/M, KF/M...
BFS/M 1900	<b>86000190</b>	SHR Z M 2.5 x 8, anodised steel, cross-head, for FX/M, LKH/M 03
BFS/M 2000	<b>86000200</b>	MU M 2.5-6KT, galvanised steel, for LKH/M 02
BFS/M 2100	<b>86000210</b>	SHR S M 2.5x8, galvanised steel, cross-head, for ST/M (-EMV), LKH/M 02, 03
BFS/M 2600	<b>86000260</b>	SHR Z M 2.5x16, galvanised steel, recessed screw head, for LKH/M 02, 03

Scope Of Delivery: LKH/M: 10 Stück BFS/M: 20 Stück

