

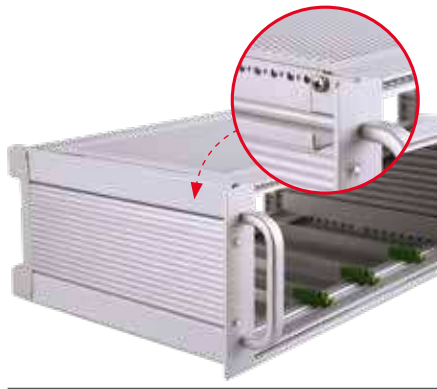
The product advantages



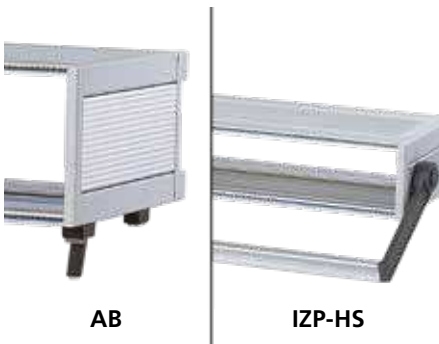
The 19" Interzoll Plus desktop enclosure system is compatible with the accessory components from the Interzoll product range.



Interzoll Plus has sheet steel covers on top and underneath. Different colours can be achieved by using powder lacquering.



The side parts consist of an anodised aluminium profile onto which the plastic covers for the enclosure screws can be snapped.



Optional tip-up feet or handles allow use as a desktop enclosure.

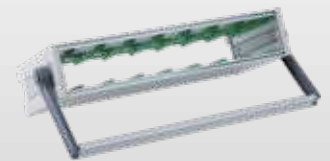


Interzoll Plus has integrated tip-up feet on the back, so in mobile use it can be securely positioned upright and rear exits are protected mechanically.



Quick-Finder:
www.bopla.de/29

Examples of use





BOPLA

A Phoenix Mecano Company

Interzoll Plus



Colour:

Enclosure:

● Light grey, similar to RAL 7035

Or natural color anodized, special colours on request

Protection class:

IP40 / DIN EN 60529

IP20 / DIN EN 60529 with ventilation (ADG...-L)

Material:

Profiles: Al Mg Si 0,5, anodized

Cover plates: sheet steel

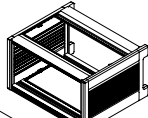
Plastic panels, covers: ABS / PVC V-1

For details see technical information.

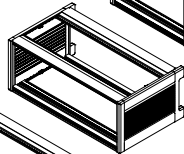


Enclosure sizes

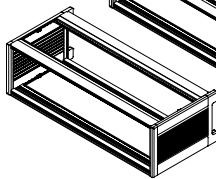
IZP 18340



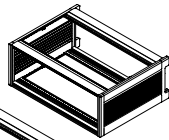
IZP 18360



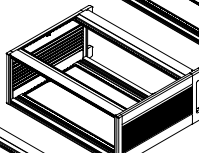
IZP 18380



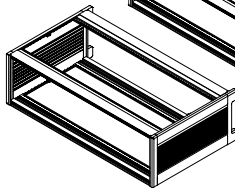
IZP 24340



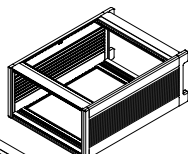
IZP 24360



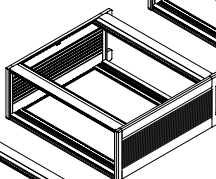
IZP 24380



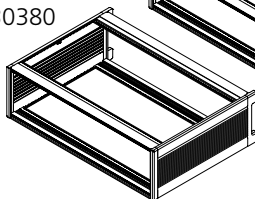
IZP 30340



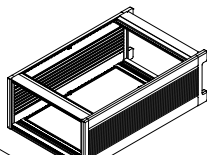
IZP 30360



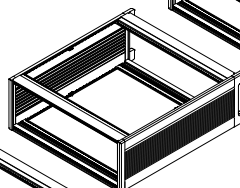
IZP 30380



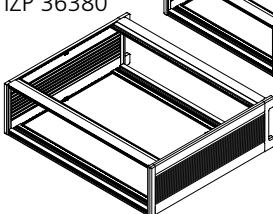
IZP 36340



IZP 36360

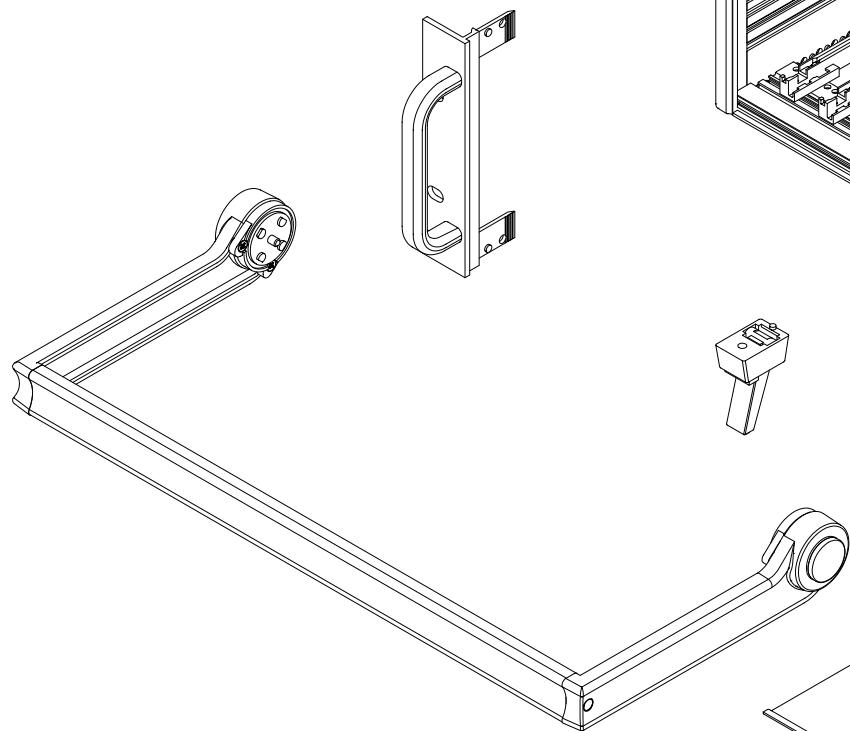
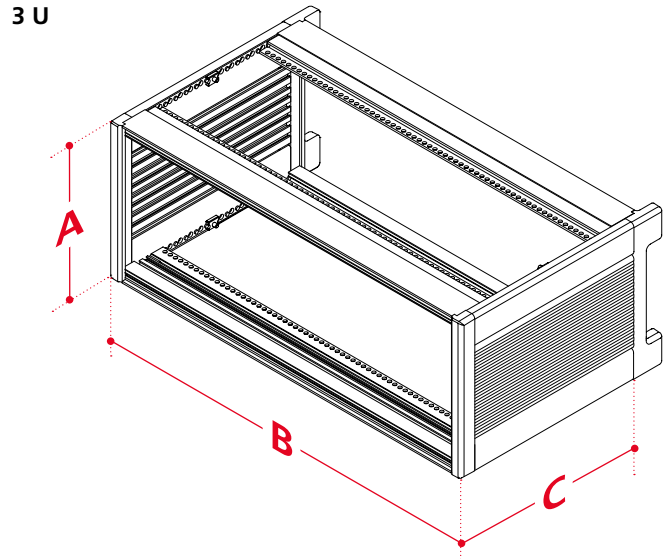


IZP 36380



Design types

3 U





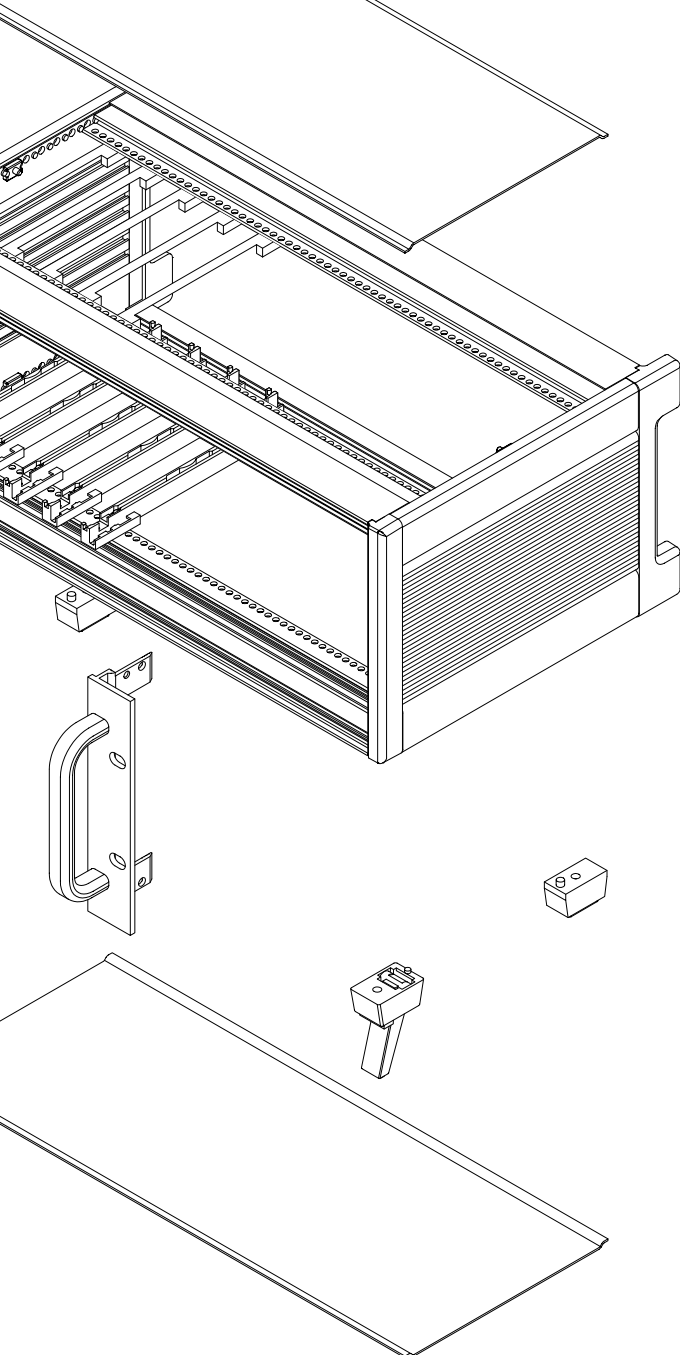
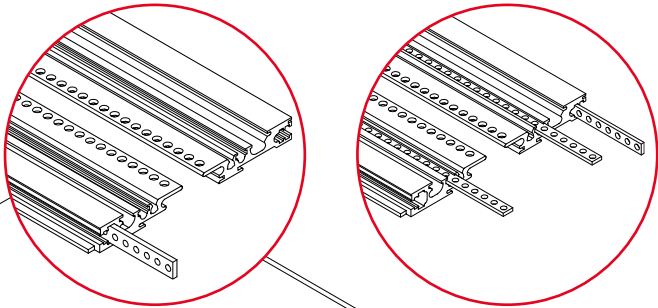
BOPLA

A Phoenix Mecano Company

Interzoll Plus

Tapped strips GS I

Tapped strips GS II



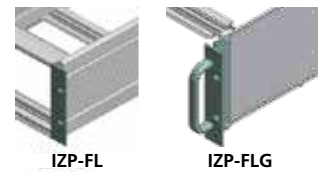
Dimensions

Model	A	B	C	HP
3 U				
IZP 18340	132.7	235.84	197.2	42
IZP 18360	132.7	342.52	197.2	63
IZP 18380	132.7	449.2	197.2	84
IZP 24340	132.7	235.84	257.2	42
IZP 24360	132.7	342.52	257.2	63
IZP 24380	132.7	449.2	257.2	84
IZP 30340	132.7	235.84	317.2	42
IZP 36360	132.7	342.52	317.2	63
IZP 30380	132.7	449.2	317.2	84
IZP 36340	132.7	235.84	377.2	42
IZP 36360	132.7	342.52	377.2	63
IZP 36380	132.7	449.2	377.2	84

Accessories



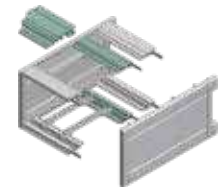
Card guide, one and three parts



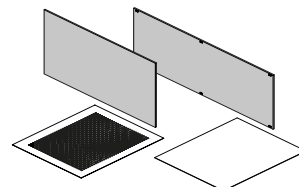
Subrack flange, aluminium, silver-coloured anodised



Clamp profile sets for fitting of split cover plates



Bus and rear profiles



Front and part front panels and cover plates in different versions

Interzoll Plus

Enclosure

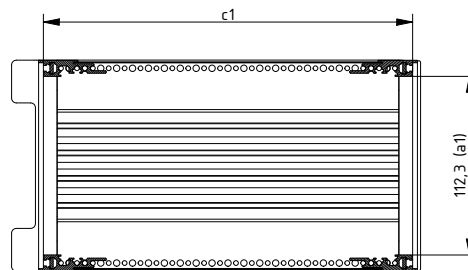
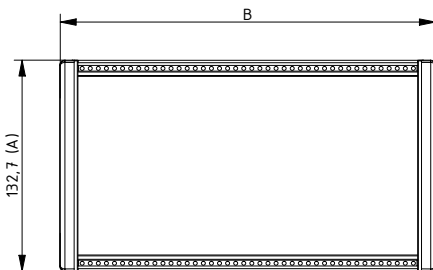


Enclosure profile sets, 3U

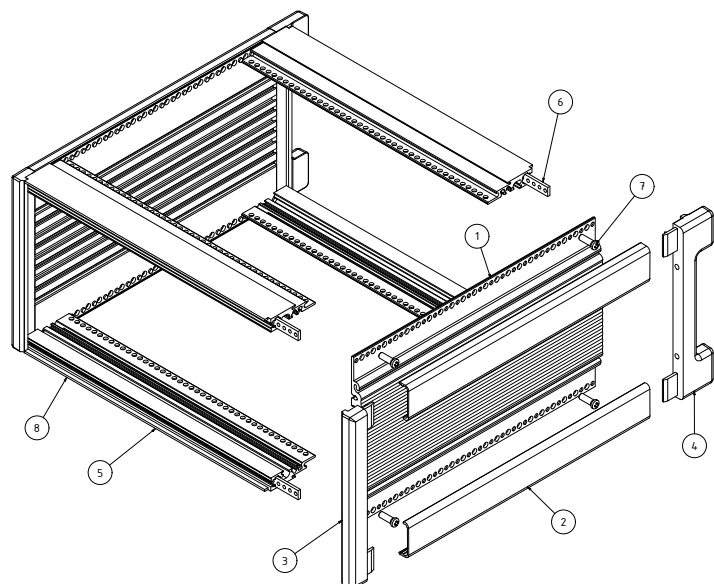
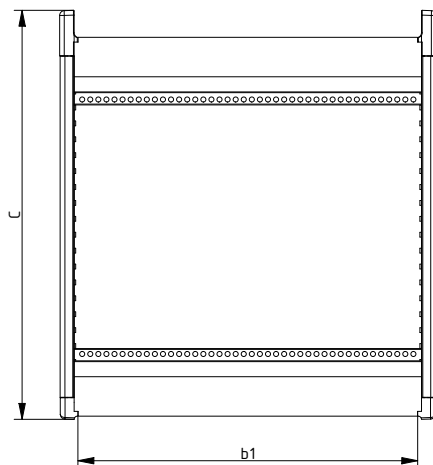
Model	Order no.	A	B	C	a1	b1	c1	U	HP	Card depth
I-ZP 18340	28183405	132.7	235.84	197.2	112.3	213.36	172.2	3	42	160
I-ZP 18360	28183605	132.7	342.52	197.2	112.3	320.04	172.2	3	63	160
I-ZP 18380	28183805	132.7	449.2	197.2	112.3	426.72	172.2	3	84	160
I-ZP 24340	28243405	132.7	235.84	257.2	112.3	213.36	232.2	3	42	220
I-ZP 24360	28243605	132.7	342.52	257.2	112.3	320.04	232.2	3	63	220
I-ZP 24380	28243805	132.7	449.2	257.2	112.3	426.72	232.2	3	84	220
I-ZP 30340	28303405	132.7	235.84	317.2	112.3	213.36	292.2	3	42	280
I-ZP 30360	28303605	132.7	342.52	317.2	112.3	320.04	292.2	3	63	280
I-ZP 30380	28303805	132.7	449.2	317.2	112.3	426.72	292.2	3	84	280
I-ZP 36340	28363405	132.7	235.84	377.2	112.3	213.36	352.2	3	42	340
I-ZP 36360	28363605	132.7	342.52	377.2	112.3	320.04	352.2	3	63	340
I-ZP 36380	28363805	132.7	449.2	377.2	112.3	426.72	352.2	3	84	340

Scope Of Delivery: 1) 2 Seitenwände (Aluminium, eloxiert) 2) 4 Schraubabdeckungen (Kunststoff, ähnl. RAL 7035) 3) 2 Abdeckblenden (Kunststoff, ähnl. RAL 7035) 4) 2 Abdeckblenden mit Fuß (Kunststoff, ähnl. RAL 7035) 5) 4 Frontprofile (Aluminium, eloxiert) 6) 4 Gewindestreifen GS I (St., verzinkt) 7) 8 Schrauben (M4x12/BFS 0400 St.) 8) 4 GummifüÙe

Notes: Installation acc. to IEC 60297-3-101. 2 U versions on request.



Z-2903304

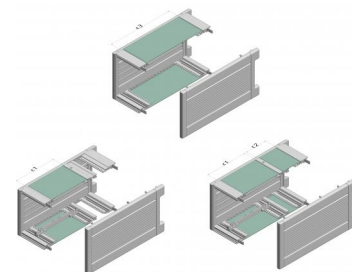


Interzoll Plus

Cover plates

Cover plate, plain, galvanised lacquered sheet steel, visible surface light grey lacquered

Model	Order no.	c1	c2	c3	HP
ADG 06042	54960420	-	63	-	42
ADG 06063	54960630	-	63	-	63
ADG 06084	54960840	-	63	-	84
ADG 12084	54912840	123	123	-	84
ADG 13063	54913630	-	-	133	63
ADG 18042	54918420	183	183	-	42
ADG 18063	54918630	183	183	-	63
ADG 18084	54918840	183	183	-	84
ADG 19063	54919630	-	-	193	63
ADG 19084	54919840	-	-	193	84
ADG 25063	54925630	-	-	253	63
ADG 25084	54925840	-	-	253	84
ADG 31042	54931420	-	-	313	42
ADG 31084	54931840	-	-	313	84

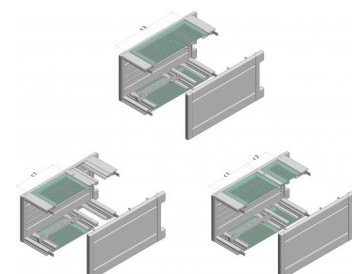


Scope Of Delivery: 1 cover plate C = depth in mm

Notes: Special sizes on request. Possible uses for the cover plates: (Note: Clamp profile set EPS is required for fitting of the split version.)

Perforated cover plates, galvanised lacquered sheet steel, visible surface light grey lacquered, hole dia. 2,5 mm

Model	Order no.	c1	c2	c3	HP
ADG 06042-L	54960421	-	63	-	42
ADG 06063-L	54960631	-	63	-	63
ADG 06084-L	54960841	-	63	-	84
ADG 12063-L	54912631	123	123	-	63
ADG 12084-L	54912841	123	123	-	84
ADG 18084-L	54918841	183	183	-	84
ADG 25084-L	54925841	-	-	253	84
ADG 31042-L	54931421	-	-	313	42
ADG 31084-L	54931841	-	-	313	84

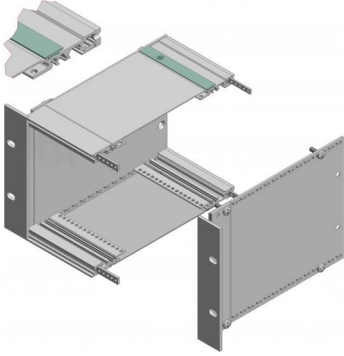


Scope Of Delivery: 1 cover plate C = depth in mm

Notes: (Note: Clamp profile set EPS is required for fitting of the split version.)

Interzoll Plus

Cover plates

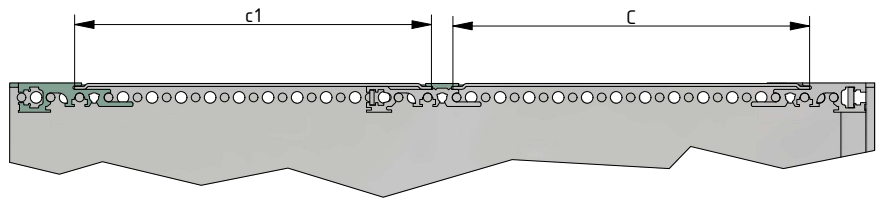


Clamp profile sets, natural-coloured anodised aluminium, for fitting of split cover plates

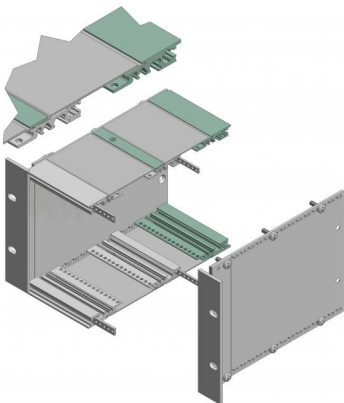
Model	Order no.	HP
EPS 00042	54002420	42
EPS 00063	54002630	63
EPS 00084	54002840	84

Scope Of Delivery: 2 profiles, incl. mounting material (BFS 0200)

Notes: If a subrack with a profile side wall is used, the clamp profile is integrated with the bus or rear profile.



Z-2900460

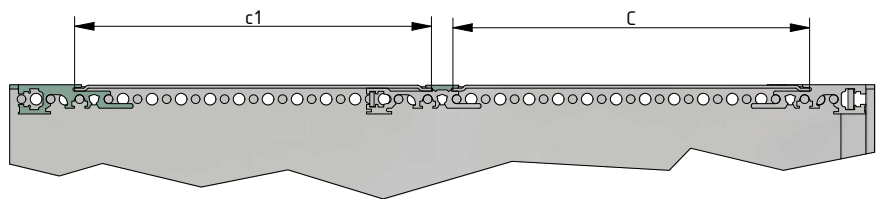


Clamp profile sets-I, natural-coloured anodised aluminium, for screwing on 2 cover plates behind each other

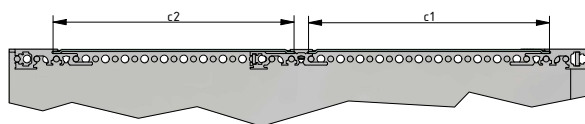
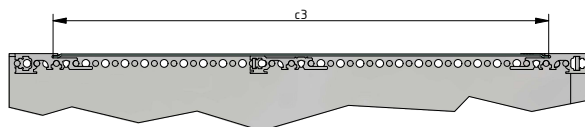
Model	Order no.	HP
EPS 00042-I	54002421	42
EPS 00063-I	54002631	63
EPS 00084-I	54002841	84

Scope Of Delivery: 2 clamp profiles, 2 front profiles, mounting material (BFS 0200, BFS 0400)

Notes: Front profiles for rear ADG mounting and cover. The EPS and EPS-I clamp profile sets are required for mounting of the cover plates (ADG...). This allows removal of the top covers without disassembly of the BGT side wall. Exception: If a subrack with a profile side wall is used, the clamp profile is integrated with the bus or rear profile.



Z-2900460



Z-2904553

Interzoll Plus

Card guides

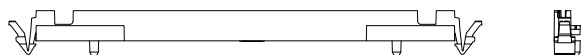
Card guides, one and three parts, plastic, UL 94 V1 green

Model	Order no.	Card depth	Note
KF 160	54700160	160	one piece
KF/X 220	89700220	160	one piece
KF 220-K	54700225	220	three pieces

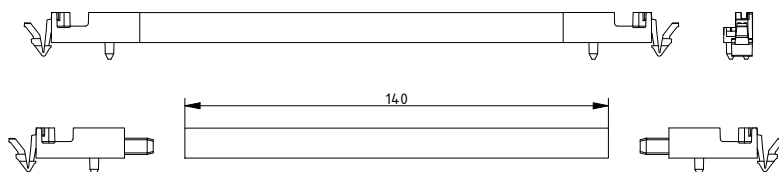
Scope Of Delivery: 10 card guides



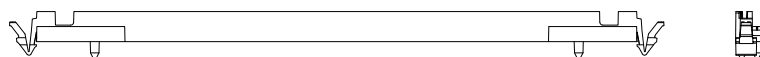
KF 160



KF 220-K



KF/X 220



Z-2904345

Interzoll Plus

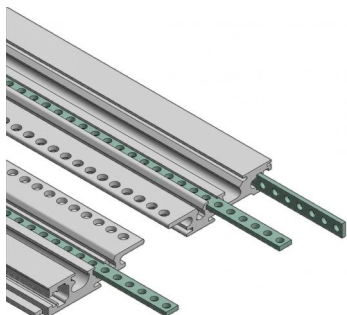
Thread and insulating strips



Tapped strips, galvanised steel, M2.5, 7 x 2 mm, for part front panel fixing

Model	Order no.	HP
GS 00042-I	54000421	42
GS 00063-I	54000631	63
GS 00084-I	54000841	84

Scope Of Delivery: 2 tapped strips



Tapped strips, galvanised steel, M2.5, 5 x 1.5 mm, for horizontal profile grooves and rear fixing of backplanes, insulating strips and Z rails

Model	Order no.	HP
GS 00042-II	54000422	42
GS 00063-II	54000632	63
GS 00084-II	54000842	84

Scope Of Delivery: 2 tapped strips

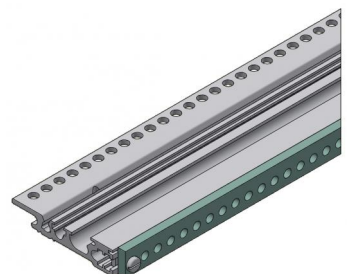


Slotted set screw M2.5 x 8 / M2.5 x 5, V2A, for positioning and earthing the tapped strip

Model	Order no.	Note
GSE-5	54700390	L = 5 mm
GSE-8	54700395	L = 8 mm

Scope Of Delivery: 10 slotted set screws

Notes: GSE-5 for use in the recessed double groove, in the horizontal grooves (e.g. card guide screwing system) and in the double bus profiles for 6 U subracks and in the adapter profiles. GSE-8 for use in both double grooves.

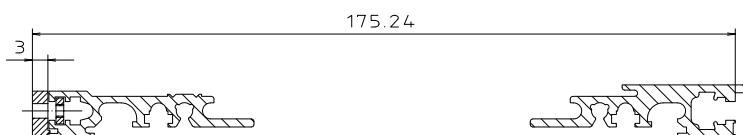


Insulated plastic, UL 94 V1, for insulated fixing of backplanes

Model	Order no.	HP
IS 00042	54000142	42
IS 00063	54000163	63
IS 00080	54000180	80
IS 00084	54000184	84

Scope Of Delivery: 4 insulating strips (IS 00042 = 2 insulating strips)

Notes: To achieve the necessary insertion depth when using bus profile rails.



Z-29004.70

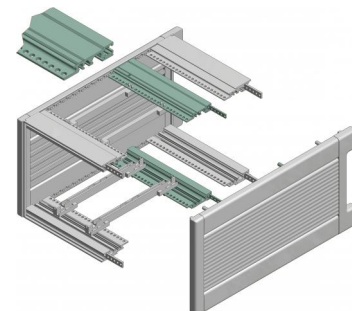
Interzoll Plus

[EMPTY TITLE - FILL IT IN ARTICLEROW OF CURRENT LANGUAGE (PR-ID: 427)]

Bus profiles, natural-coloured anodised aluminium, for fitting of standard backplanes

Model	Order no.	HP
IZPB 00042	54301042	42
IZPB 00063	54301063	63
IZPB 00084	54301084	84

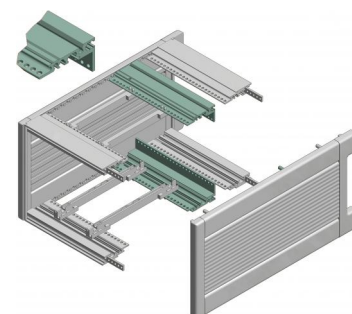
Scope Of Delivery: 2 profiles including tapped strips and mounting material (BFS 0400)



Rear profiles, natural-coloured anodised aluminium, with integrated Z-rail for connectors acc. to DIN EN 60603-2 (formerly DIN 41612)

Model	Order no.	HP
IZPR 00042.12	54304210	42
IZPR 00063.12	54306310	63
IZPR 00084.12	54308410	84

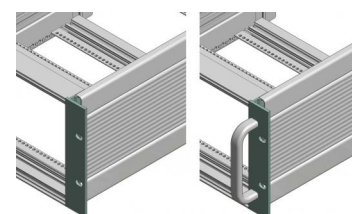
Scope Of Delivery: 2 profiles including mounting material (BFS 0400)



Subrack flange, aluminium, silver-coloured anodised

Model	Order no.	Note
IZP-FL 00300	54530000	for IZP 3 U, without handle drilled holes
IZP-FLG 00300	54531000	for IZP 3 U, with handle drilled holes

Scope Of Delivery: 2 pieces (IZP-FLG... including 2 fixing screws BFS 0400 §§54700031§§)



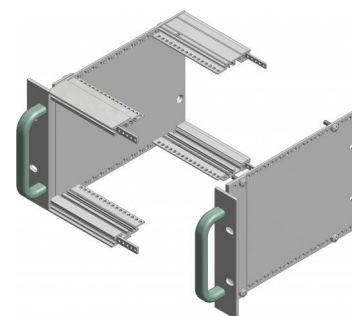
IZP-FL

IZP-FLG

Handles for subracks, natural-coloured anodised aluminium

Model	Order no.	U
GR 00300	54600320	3
GR 00600	54600620	6

Scope Of Delivery: 2 handles including mounting material (BFS 0400)



Interzoll Plus

Accessories

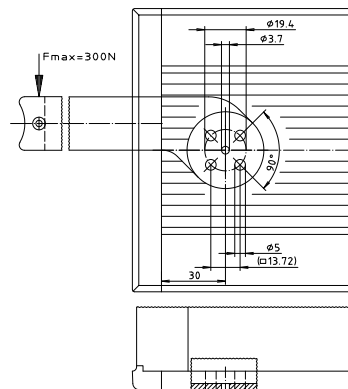


Handles / tip-up bows, hinged

Model	Order no.	HP	Note
Izp-HS 00040	54542010	42	For IZP ... 40
Izp-HS 00060	54563010	63	For IZP ... 60
Izp-HS 00080	54584010	84	For IZP ... 80

Scope Of Delivery: HS: Handle side parts (PA6), seals, screws HSP: profile (aluminium)

Notes: Fixed detent positions of the handle at 30° stages. Mechanical processing of the side panels on request. The maximum load is 300 N.



Z-2901633

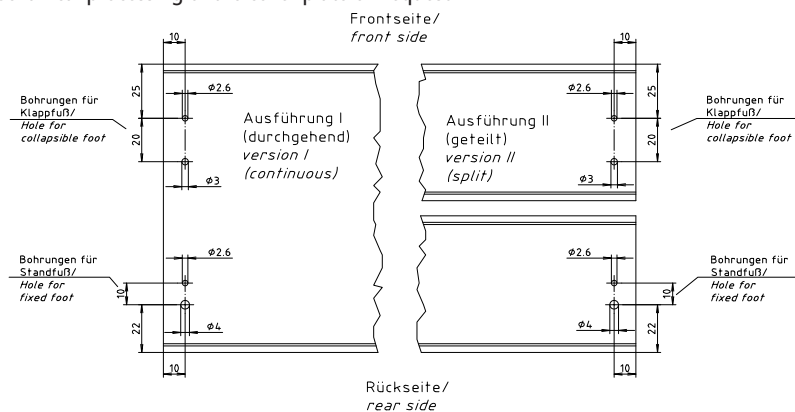


Tip-up feet, polyamide

Model	Order no.	Note
AB 1230	39603000	Including 4 sheet metal screws

Scope Of Delivery: Set-up foot set (2 fixed and 2 hinged feet), fixing material

Notes: Mechanical processing of the cover plate on request.



Z-2900631

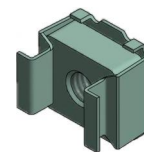
Interzoll Plus

Screws

Mounting material

Model	Order no.	Note
KM 5	54700350	M5 cage nut for fitting of BGT / FPS in the enclosure or cabinet
KS 5	54700360	M5 cross-head screw for fitting of BGT / FPS in the enclosure or cabinet
KU 5	54700370	Washer for KS 5, nickel-plated brass
BFS 0200	54700020	Countersunk screw M 3x5, cross-head, for fixing of clamp profiles
BFS 0300	54700030	Cheese-head screw M 2.5x8, slotted, for fixing of card earthing, card guide, insulating strip and Z rails
BFS 0400	54700031	Recessed head screws M 4x12 for Interzoll-Plus profiles

Scope Of Delivery: KM, KS and KU 10 pcs.; BFS 20 pcs.



KM 5



KS 5



KU 5



BFS 0200



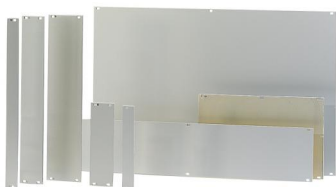
BFS 0300



BFS 0400

Interzoll Plus

Front panel

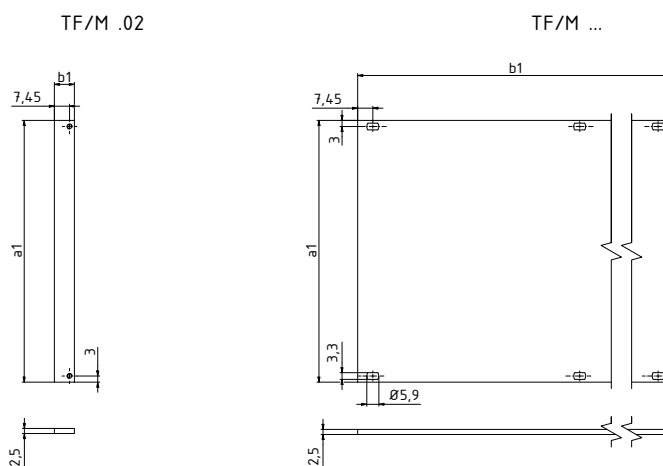


Part front panels, natural-coloured anodised aluminium, passivated on rear

Model	Order no.	a1	b1	U	HP
TF/M 242	86842023	84.05	213.01	2	42
TF/M 263	86863023	84.05	319.69	2	63
TF/M 284	86884023	84.05	426.37	2	84
TF/M 302	86802033	128.5	9.81	3	2
TF/M 303	86803033	128.5	14.89	3	3
TF/M 304	86804033	128.5	19.97	3	4
TF/M 306	86806033	128.5	30.13	3	6
TF/M 307	86807033	128.5	35.21	3	7
TF/M 308	86808033	128.5	40.29	3	8
TF/M 310	86810033	128.5	50.45	3	10
TF/M 312	86812033	128.5	60.61	3	12
TF/M 314	86814033	128.5	70.77	3	14
TF/M 318	86818033	128.5	91.09	3	18
TF/M 319	86819033	128.5	96.17	3	19
TF/M 320	86820033	128.5	101.25	3	20
TF/M 321	86821033	128.5	106.33	3	21
TF/M 328	86828033	128.5	141.97	3	28
TF/M 340	86840033	128.5	202.85	3	40
TF/M 342	86842033	128.5	213.01	3	42
TF/M 363	86863033	128.5	319.69	3	63
TF/M 384	86884033	128.5	426.37	3	84
TF/M 484	86884043	172.95	426.37	4	84
TF/M 604	86804063	261.85	19.97	6	4
TF/M 605	86805063	261.85	25.05	6	5
TF/M 608	86808063	261.85	40.29	6	8
TF/M 628	86828063	261.85	141.89	6	28
TF/M 642	86842063	261.85	213.01	6	42
TF/M 684	86884063	261.85	426.37	6	84

Scope Of Delivery: 1 part front panel

Notes: Special sizes on request. Screw holders and collar screws as accessories.



Z-2904355

Interzoll Plus

Front panel

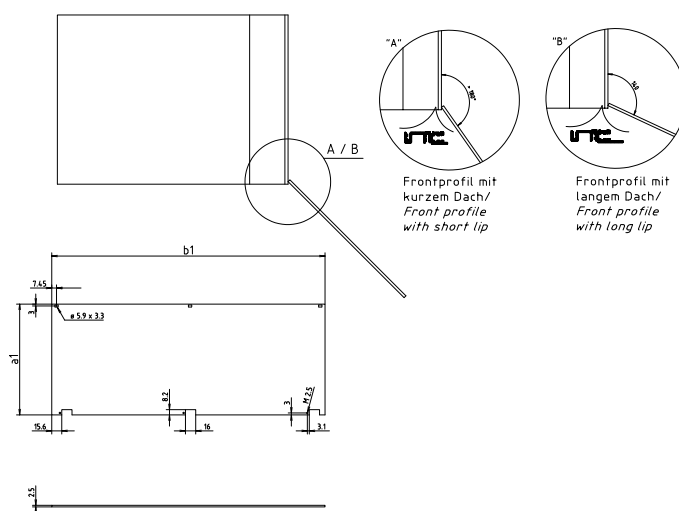
Front panels, 3 / 6 U, collapsible, front natural-coloured anodised aluminium, passivated on rear

Model	Order no.	a1	b1	U	HP
TF/M 342-K	86842038	128.5	213.01	3	42
TF/M 363-K	86863038	128.5	319.69	3	63
TF/M 384-K	86884038	128.5	426.37	3	84
TF/M 642-K	86842068	261.85	213.01	6	42
TF/M 663-K	86863068	261.85	319.69	6	63
TF/M 684-K	86884068	261.85	426.37	6	84



Scope Of Delivery: 1 front panel, 1 hinge set, 3 metal screw holders, 3 knurled screws BFS/M 2200, mounting material

Notes: The usable width is not restricted. Can be unhooked at 135° except for Internorm Stil. One tapped strip above and below is required for each fixing.



Z-2901867

Interzoll Plus

Front panel



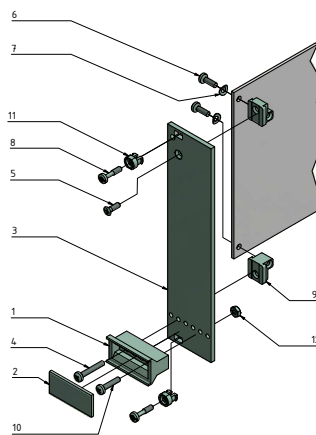
Plug-in front panels, front natural-coloured anodised aluminium, passivated on rear, incl. handles, plastic, UL 94 V 0, light grey

Model	Order no.	a1	b1	U	HP
ST/M 303	86803037	128.5	14.89	3	3
ST/M 304	86804037	128.5	19.97	3	4
ST/M 305	86805037	128.5	25.05	3	5
ST/M 306	86806037	128.5	30.13	3	6
ST/M 308	86808037	128.5	40.29	3	8
ST/M 309	86809037	128.5	45.37	3	9
ST/M 310	86810037	128.5	50.45	3	10
ST/M 312	86812037	128.5	60.61	3	12
ST/M 318	86818037	128.5	91.09	3	18
ST/M 321	86821037	128.5	106.33	3	21

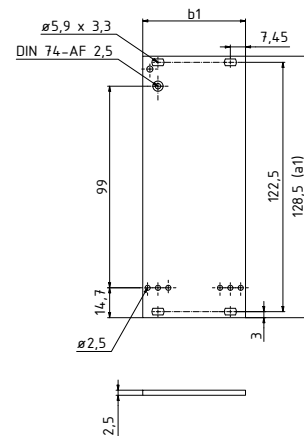
Scope Of Delivery: 1) 1 handle, trapezoidal shape (PPO-UL94 V-0) 2) 1 identification plate (aluminium 1.5 mm, anodised) 3) 1 front panel (aluminium 2.5 mm, front anodised, rear yellow chromated) 4) 1 cylinder head screw (SHR Z M 2.5x16) 5) 1 panhead screw (SHR S M 2.5x8) 6) 2 cylinder head screws (SHR Z M 2.5x8) 7) 2 spring discs (A 2.6) 8) up to 7 HP: 2 collar screws with recessed screw head (M 2.5x12.3, for plug-in front panels) 8) 8 HP and higher: 4 collar screws with recessed screw (M 2.5x12.3, for plug-in front panels) 9) 2 circuit board holders (ZN diecast, 2 threads M 2.5) 10) 1 cylinder head screw (SHR Z M 2.5x12) 11) up to 7 HP: 2 plastic screw holders (PA6, grey, unscreened, for plug-in front panels) 11) 8 HP and higher: 4 plastic screw holders (grey, unscreened, for plug-in front panels) 12) 1 hexagon nut (M 2.5 for version with metal circuit board holder)

Notes: Additional sizes on request.

ST/M 3..



Z-2904356



Interzoll Plus

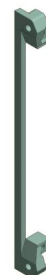
Front panel

Leiterkartenhalter und Befestigungsmaterial

Model	Order no.	Note
LKH/M 02	86080020	With 4 through holes for fixing front panels and circuit boards
LKH/M 03	86080030	With 2 M 2.5 threads for fixing of front panels and circuit boards
BFS/M 0100	86000010	SHR Z M 4x14-S0, toothed, galvanised steel, torx 20, for all Interzoll Modul profiles
BFS/M 0200	86000020	SHR Z KT 2.5x9.3, galvanised steel, torx 8, for FLS/M, KF/M...
BFS/M 1900	86000190	SHR Z M 2.5 x 8, anodised steel, cross-head, for FX/M, LKH/M 03
BFS/M 2000	86000200	MU M 2.5-6KT, galvanised steel, for LKH/M 02
BFS/M 2100	86000210	SHR S M 2.5x8, galvanised steel, cross-head, for ST/M (-EMV), LKH/M 02, 03
BFS/M 2600	86000260	SHR Z M 2.5x16, galvanised steel, recessed screw head, for LKH/M 02, 03

Scope Of Delivery: LKH/M: 10 Stück BFS/M: 20 Stück

LKH/M 02



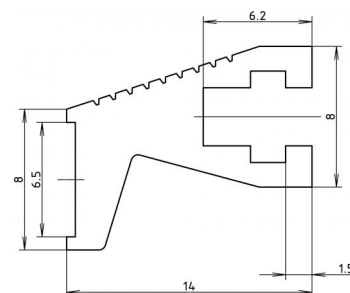
LKH/M 03



Handle profile, natural-coloured anodised aluminium, metre profile

Model	Order no.
GRL/M 1000-AL	86081740

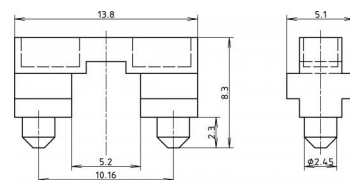
Scope Of Delivery: 1m handle profile



Fixing piece, plastic, black, for fixing the handle profile GRL to the front panel

Model	Order no.
FX/M	86081750

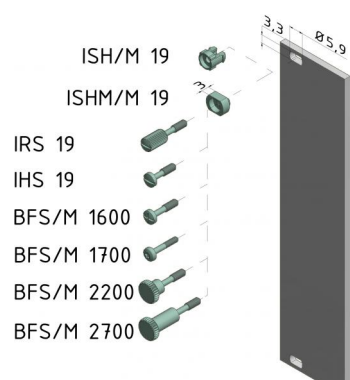
Scope Of Delivery: 20 fixing pieces



Mounting material for part front panels and plug-in units

Model	Order no.	Note
ISH/M 19	86080510	Plastic screwholder, PA 6, grey
ISHM/M 19	86080500	Metal screw holder, stainless steel (1.4305), for conductive contacting for riveting to the front panel
IRS 19	54700420	Slotted knurled screw, collar screws SHR R M2.5x11.3x6.3-SP
IHS 19	54700410	Collar screws SHR Z M2.5x11.3x6.3-SP, slotted-head screw
BFS/M 1600	86000160	Collar screws, SHR Z M 2.5x12.3x6.5-SP, nickel-plated steel, for front panels
BFS/M 1700	86000170	Collar screws, SHR Z M 2.5x12.3x6.5-SP, nickel-plated steel, for front panels, torx 8
BFS/M 2200	86000220	Knurled screw without slot, SHR R M 2.5x12.3x6.5-SPx18.3, nickel-plated steel
BFS/M 2700	86000270	Knurled screw without slot, SHR R M 2.5x12.3x6.5-SPx25.3, anodised steel, for PF/M with long lip

Scope Of Delivery: ISH 19 / IRS 19 = 10 pieces, otherwise 20 pieces



Interzoll Plus

Frame-type plug-in units

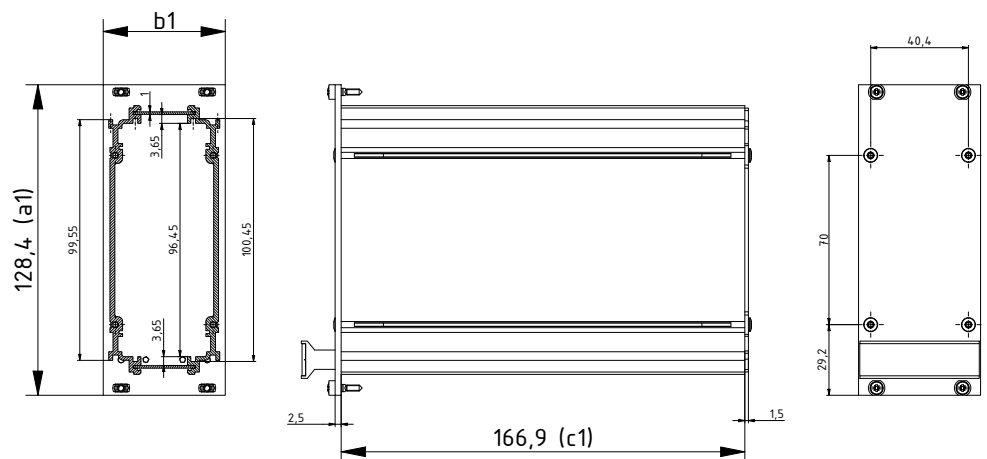


Interzoll PRO frame-type plug-in units, 3 U, natural-coloured anodised aluminium front panel, colourless passivated aluminium side profiles, galvanised steel cover plates, plain, galvanised steel rear panel with one slot, 3 U

Model	Order no.	a1	b1	c1	U	HP
IZK/M 16308-RW1-P	85808311	128.4	40.3	166.9	3	8
IZK/M 16310-RW1-P	85810311	128.4	50.46	166.9	3	10
IZK/M 16312-RW1-P	85812311	128.4	60.62	166.9	3	12
IZK/M 16314-RW1-P	85814311	128.4	70.78	166.9	3	14
IZK/M 16321-RW1-P	85821311	128.4	106.34	166.9	3	21
IZK/M 16328-RW1-P	85828311	128.4	141.9	166.9	3	28
IZK/M 16342-RW1-P	85842311	128.4	213.02	166.9	3	42

Scope Of Delivery: 1 front panel with handle, 2 side panels, 2 top covers, 1 rear panel, mounting material

Notes: Additional versions, 6 U, EMC or with hood on request.



Z-2904-357



Cover plates, perforated, 1mm, galvanised sheet steel, for frame-type plug-in units, 3 U

Model	Order no.	c1	HP
IZK/M 16008-ADL-P	86090812	167	8
IZK/M 16010-ADL-P	86091012	167	10
IZK/M 16012-ADL-P	86091212	167	12
IZK/M 16014-ADL-P	86091412	167	14
IZK/M 16021-ADL-P	86092112	167	21
IZK/M 16028-ADL-P	86092812	167	28
IZK/M 16042-ADL-P	86094212	167	42

Scope Of Delivery: 1 cover plate

Notes: c1 = Abdeckblechtiefe

Interzoll Plus

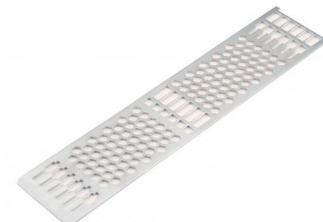
Frame-type plug-in units

Cover plates, perforated, 1mm, galvanised sheet steel, for PRO frame-type plug-in units, 3 U, to accommodate card guides

Model	Order no.	c1	HP
IZK/M 16008-ADL-KF-P	86090813	167	8
IZK/M 16010-ADL-KF-P	86091013	167	10
IZK/M 16012-ADL-KF-P	86091213	167	12
IZK/M 16014-ADL-KF-P	86091413	167	14
IZK/M 16021-ADL-KF-P	86092113	167	21
IZK/M 16028-ADL-KF-P	86092813	167	28
IZK/M 16042-ADL-KF-P	86094213	167	42

Scope Of Delivery: 1 cover plate

Notes: c1 = Abdeckblechtiefe



Card guides for cover plates IZK/M-ADL-KF, plastic, UL 94 V0, red

Model	Order no.	Card depth
IZK/M KF-160-P	86216030	160

Scope Of Delivery: 10 card guides



Rear panel open, galvanised sheet steel, for IZK/M frame-type plug-in units

Model	Order no.	HP
IZK/M 00308-RWO-P	86090833	8
IZK/M 00310-RWO-P	86091033	10
IZK/M 00312-RWO-P	86091233	12
IZK/M 00314-RWO-P	86091433	14
IZK/M 00321-RWO-P	86092133	21
IZK/M 00328-RWO-P	86092833	28
IZK/M 00342-RWO-P	86094233	42

Scope Of Delivery: 1 rear panel



Leiterkarten- und Rückwandhalter für Kassetten

Model	Order no.
LKH/M 09-P	86080090
LKH/M 10-P	86080110
RWH/M 01-P	86080120

Scope Of Delivery: 10 pieces LKH/M 09-P/...10-P: 5 pairs (right/left)