

## The product advantages



Interzoll Case is a series of tailor-made enclosures manufactured for specific projects and in sheet aluminium or steel using stamping and bending technology. Standard designs exist for manufacturing numerous enclosure types from 19" switch cabinet enclosures to elegant display enclosures.



Enclosure break-throughs and holders for PCBs are integrated in the enclosure directly during the production process. Later reworking is no longer necessary.

The standard designs are available for downloading as 3D-CAD files on [www.bopla.de](http://www.bopla.de) and could be manufactured directly as a "standard product". However, they can also be used as a basis for completely individual designs.



Many surface coatings and colours are available for the external design. Interzoll Case can be given an even more individual design by using printing (even under anodised surfaces).



Optional contact areas between the enclosure components ensure optimal EMC screening.



**Quick-Finder:**  
[www.bopla.de/28](http://www.bopla.de/28)

### Examples of use






**BOPLA**

A Phoenix Mecano Company

# Interzoll Case



## Colour:

 Individually according to your specifications

## Protection class:

Depending on the enclosure construction up to IP40 / DIN EN 60529;  
higher degrees of protection project-specific on request

## Material:

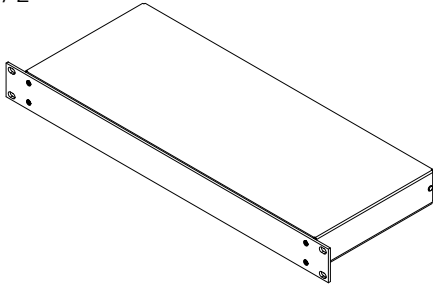
Individually manufactured; for example made of aluminum, steel or stainless steel. Other materials and surface coatings are always possible on request.

For details see technical information.

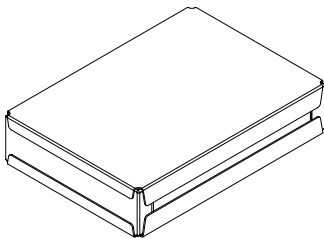


## Housing shapes

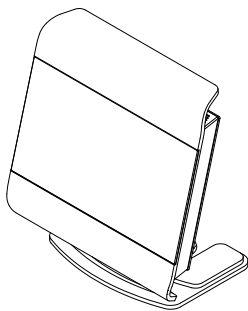
IC / Z



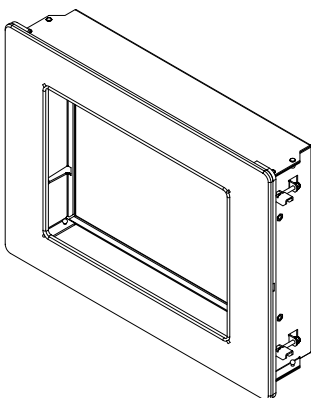
IC / P / T / H



IC / M-7

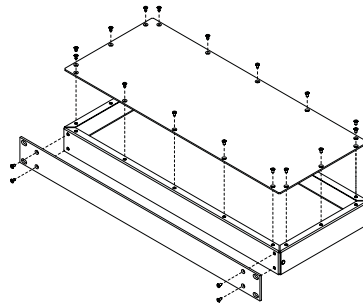


IC / E 10.1

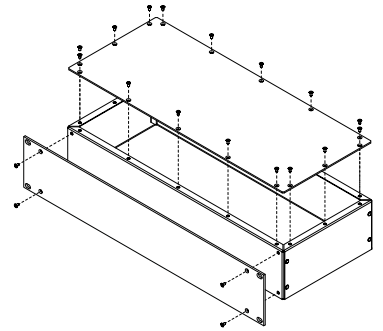


## Design types

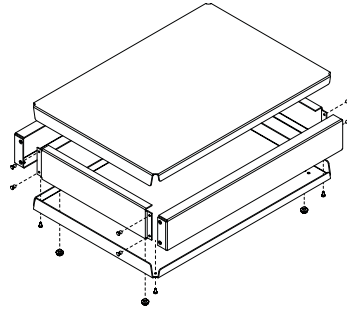
19" enclosure 1 U



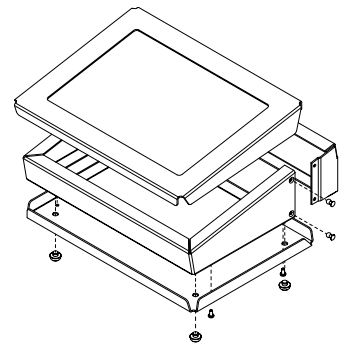
19" enclosure 2 U



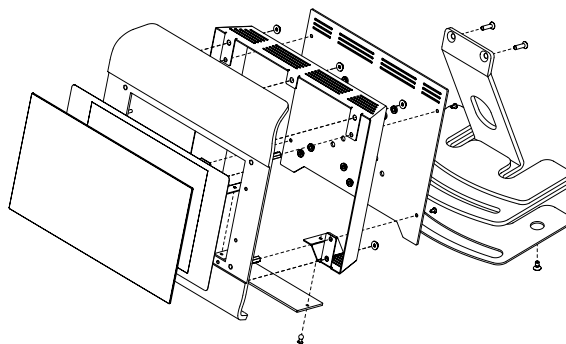
Desktop enclosures



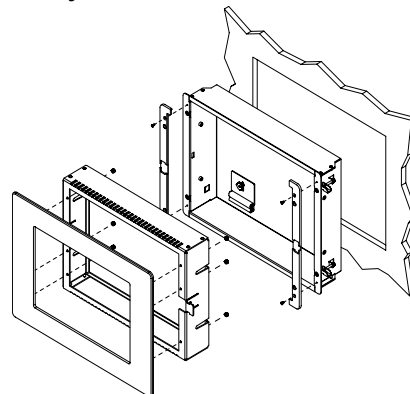
Console enclosures



Monitor enclosures



Cavity wall installation enclosures



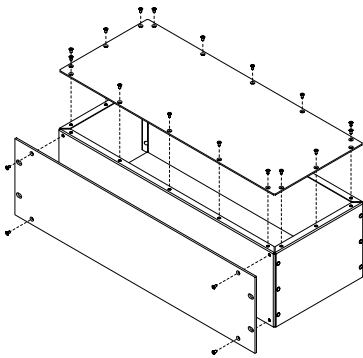
IC / E 10.1 panel

**BOPLA**

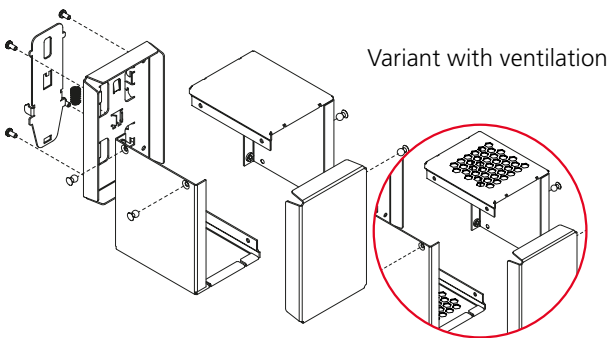
A Phoenix Mecano Company

# Interzoll Case

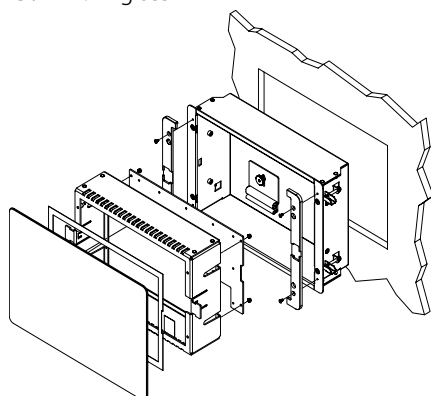
## 19" enclosure 3 U



## DIN rail enclosures



## IC / E 10.1 glass



## Dimensions

Model	A	B	C
<b>19" enclosures</b>			
IC/Z 18180 (-EMC)	43.6	482.6	482.6
IC/Z 24180 (-EMC)	43.6	482.6	482.6
IC/Z 30180 (-EMC)	43.6	482.6	482.6
IC/Z 18280 (-EMC)	88.1	482.6	482.6
IC/Z 24280 (-EMC)	88.1	482.6	482.6
IC/Z 30280 (-EMC)	88.1	482.6	482.6
IC/Z 18380 (-EMC)	132.5	482.6	482.6
IC/Z 24380 (-EMC)	132.5	482.6	482.6
IC/Z 30380 (-EMC)	132.5	482.6	482.6
<b>Console enclosures</b>			
IC/P 180312	180	32	121.5
IC/P 180324	180	32	243
IC/P 180336	180	32	364.5
IC/P 220315	228	32	155
IC/P 220331	228	32	310
IC/P 220346	228	32	465
IC/P 260318	260	32	180
IC/P 260336	260	32	360
IC/P 260354	260	32	540
<b>Desktop enclosure</b>			
IC/T 280620	280	60	200
IC/T 280640	280	60	400
IC/T 281220	280	120	200
IC/T 281240	280	120	400
IC/T 281825	280	180	250
IC/T 281850	280	180	500
<b>DIN rail enclosures</b>			
IC/H 041118 (-L)	40	110	182.5
IC/H 081006 (-L)	80.5	102.5	63.5
IC/H 081013 (-L)	80.5	102.5	130
IC/H 101005 (-L)	100.5	102.5	51.5
IC/H 101605 (-L)	100.5	162.5	51.5
IC/H 161005 (-L)	160.5	102.5	51.5
<b>Monitor enclosures</b>			
IC/M 7"	266.4	245	164.6
IC/M 10.1"	309.8	305	209.6
<b>Cavity wall installation enclosures</b>			
IC/E 10,1" panel	398	297	75.5
IC/E 12,1" panel	428	335	75.5
IC/E 15,6" panel	536	366	85.5
IC/E 7,0" glass	248	173	75.5
IC/E 10,1" glass	308	215	75.5

# Interzoll Case

## 19" enclosures



### 19" enclosures, 1 U

Model	Order no.	A	B	C	Note
IC/Z 18180	<b>28618180*</b>	43.6	482.6	180	
IC/Z 18180-EMV	<b>28618181*</b>	43.6	482.6	180	EMC version
IC/Z 24180	<b>28624180*</b>	43.6	482.6	240	
IC/Z 24180-EMV	<b>28624181*</b>	43.6	482.6	240	EMC version
IC/Z 30180	<b>28630180*</b>	43.6	482.6	300	
IC/Z 30180-EMV	<b>28630181*</b>	43.6	482.6	300	EMC version

**Scope Of Delivery:** Enclosure body, lid, front panel and fixing material Enclosure material for construction proposal: - Enclosure body and lid: untreated aluminium - Front panel: anodised aluminium front side and rear side - EMC front panel: aluminium, anodised front, passivated rear side

**Notes:** Not a stock article - enclosures are made to customers' specifications. The enclosure is designed for PCB mounting by means of self-clinch fasteners on the baseplate. The PCB mounting can be designed individually.



### 19" enclosures, 2 U

Model	Order no.	A	B	C	Note
IC/Z 18280	<b>28618280*</b>	88.1	482.6	180	
IC/Z 18280-EMV	<b>28618281*</b>	88.1	482.6	180	EMC version
IC/Z 24280	<b>28624280*</b>	88.1	482.6	240	
IC/Z 24280-EMV	<b>28624281*</b>	88.1	482.6	240	EMC version
IC/Z 30280	<b>28630280*</b>	88.1	482.6	300	
IC/Z 30280-EMV	<b>28630281*</b>	88.1	482.6	300	EMC version

**Scope Of Delivery:** Enclosure body, lid, front panel and fixing material Enclosure material for construction proposal: - Enclosure body and lid: untreated aluminium - Front panel: anodised aluminium front side and rear side - EMC front panel: aluminium, anodised front, passivated rear side

**Notes:** Not a stock article - enclosures are made to customers' specifications. The enclosure is designed for PCB mounting by means of self-clinch fasteners on the baseplate. The PCB mounting can be designed individually.



### 19" enclosures, 3 U

Model	Order no.	A	B	C	Note
IC/Z 18380	<b>28618380*</b>	132.5	482.6	180	
IC/Z 18380-EMV	<b>28618381*</b>	132.5	482.6	180	EMC version
IC/Z 24380	<b>28624380*</b>	132.5	482.6	240	
IC/Z 24380-EMV	<b>28624381*</b>	132.5	482.6	240	EMC version
IC/Z 30380	<b>28630380*</b>	132.5	482.6	300	
IC/Z 30380-EMV	<b>28630381*</b>	132.5	482.6	300	EMC version

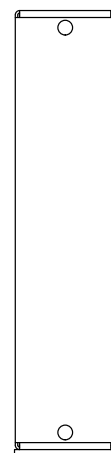
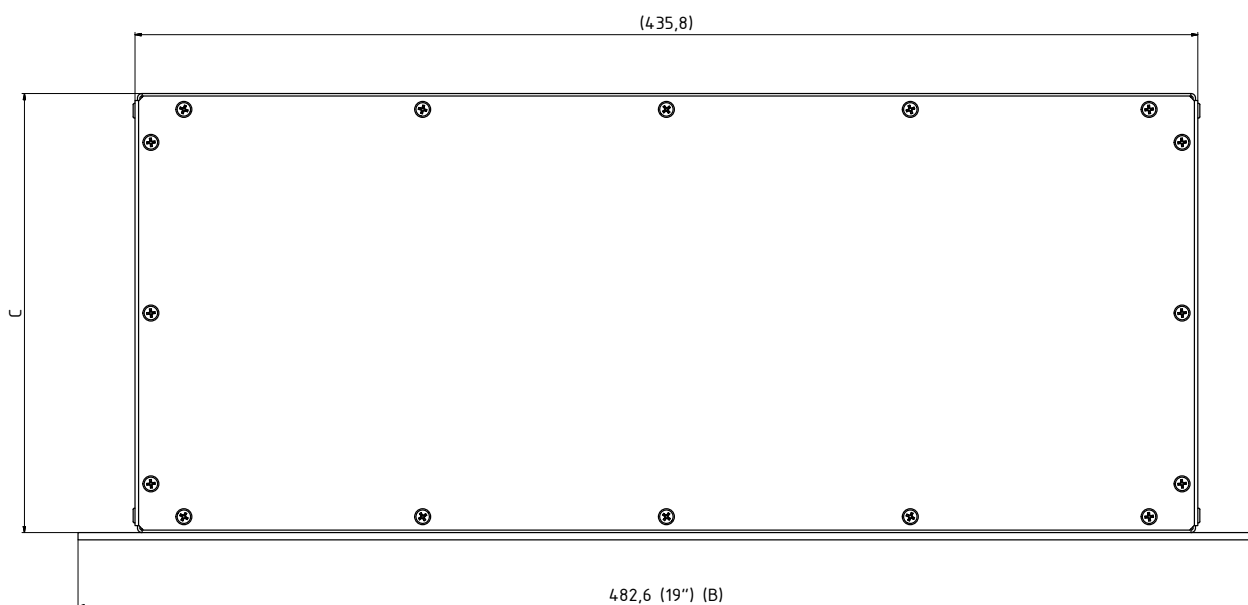
**Scope Of Delivery:** Enclosure body, lid, front panel and fixing material Enclosure material for construction proposal: - Enclosure body and lid: untreated aluminium - Front panel: anodised aluminium front side and rear side - EMC front panel: aluminium, anodised front, passivated rear side

**Notes:** Not a stock article - enclosures are made to customers' specifications. The enclosure is designed for PCB mounting by means of self-clinch fasteners on the baseplate. The PCB mounting can be designed individually.



**BOPLA**

A Phoenix Mecano Company



Z-2903706

# Interzoll Case

## Console enclosure

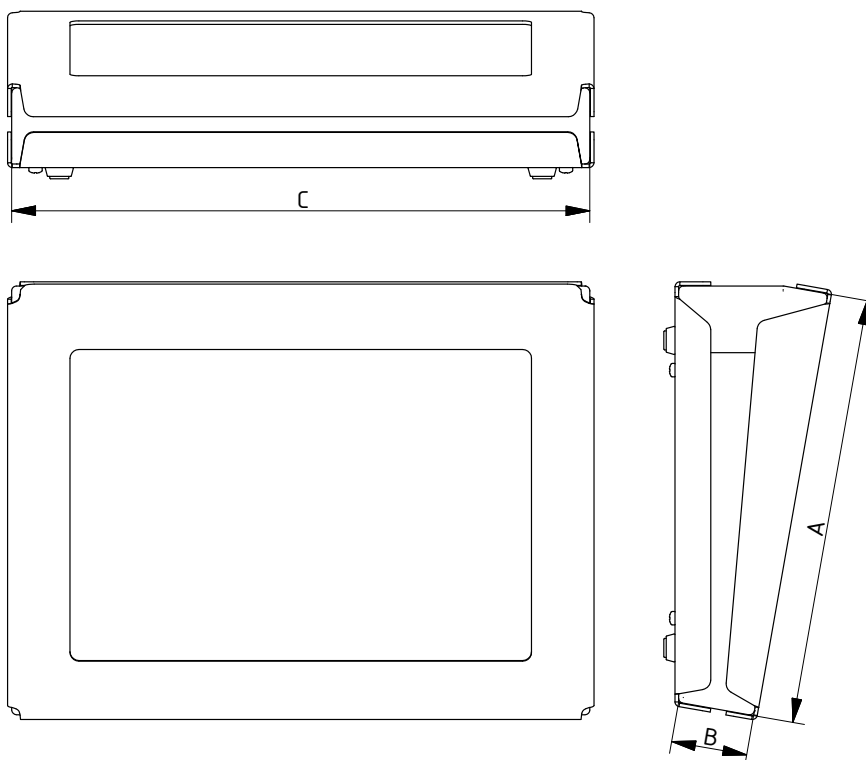


### Console enclosure

Model	Order no.	A	B	C	Display max.
IC/P 180312	28010001*	180	32	121.5	-
IC/P 180324	28010002*	180	32	243	7"
IC/P 180336	28010003*	180	32	364.5	-
IC/P 220315	28010004*	228	32	155	-
IC/P 220331	28010005*	228	32	310	10.1"
IC/P 220346	28010006*	228	32	465	-
IC/P 260318	28010007*	260	32	180	-
IC/P 260336	28010008*	260	32	360	12.1"
IC/P 260354	28010009*	260	32	540	-

**Scope Of Delivery:** cover plate top and bottom / front, rear and side part, unit foot and fixing material Enclosure material for construction proposal - Cover plate top and bottom / front, rear and side part: aluminium, powder-coated in RAL colour - Unit foot: PA6 black, ø12x4

**Notes:** Cover plate above (e.g. with membrane keypad surface) also suitable as an adhesive surface for touch/display integration. Not a stock article – enclosures are manufactured for individual customers.



Z-2904044

# Interzoll Case

## Desktop enclosures

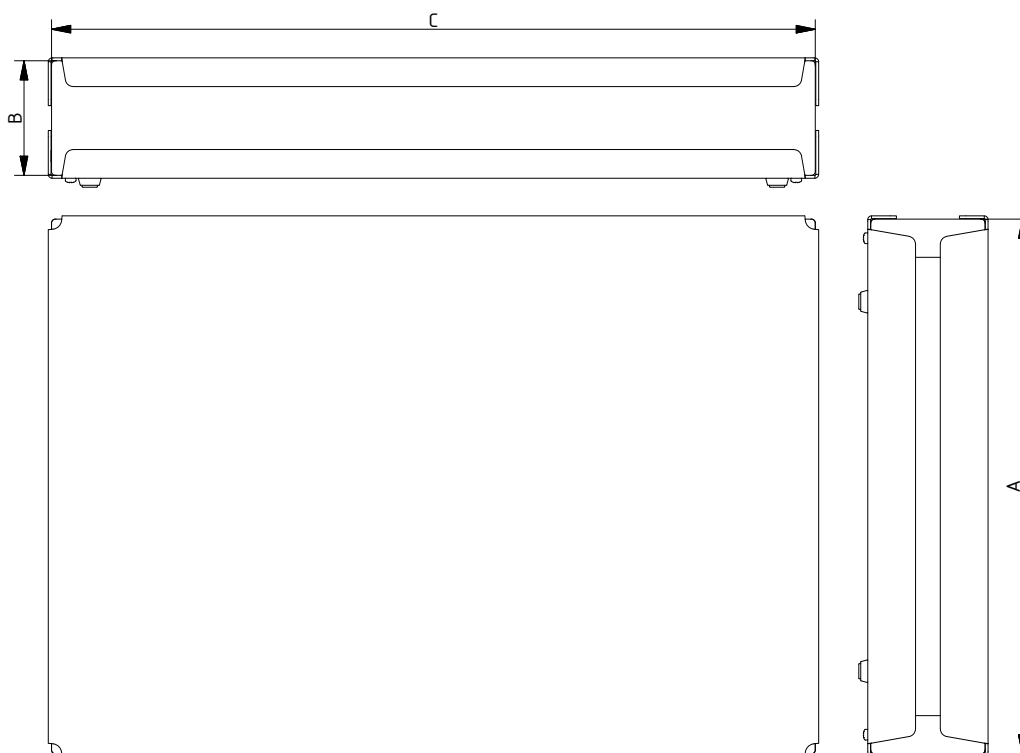
### Desktop enclosures

Model	Order no.	A	B	C	Note
IC/T 280620	<b>28020004*</b>	280	60	200	
AF1/INS	<b>86050000</b>	-	-	-	Tip-up feet
IC/T 280640	<b>28020001*</b>	280	60	400	
IC/T 281220	<b>28020005*</b>	280	120	200	
IC/T 281240	<b>28020002*</b>	280	120	400	
IC/T 281825	<b>28020006*</b>	280	180	250	
IC/T 281850	<b>28020003*</b>	280	180	500	



**Scope Of Delivery:** cover plate top and bottom / front, rear and side part, unit foot and fixing material Enclosure material for construction proposal - Cover plate top and bottom / front, rear and side part: aluminium, powder-coated in RAL colour - Unit foot: PA6 black, ø12x4

**Notes:** The lower cover plate is screwed to the enclosure by means of cylinder head screws and can be used as a mounting panel. Not a stock article – enclosures are manufactured for individual customers.

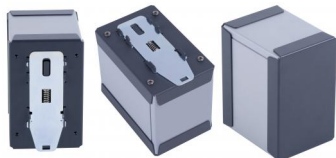


Z-2804043



# Interzoll Case

## DIN rail enclosure



### DIN rail enclosure

Model	Order no.	A	B	C
IC/H 041118	28030005*	40	110	182.5
IC/H 081006	28030001*	80.5	102.5	63.5
IC/H 081013	28030006*	80.5	102.5	130
IC/H 101005	28030002*	100.5	102.5	51.5
IC/H 101605	28030003*	100.5	162.5	51.5
IC/H 161005	28030004*	160.5	102.5	51.5

**Scope Of Delivery:** cover plate top and bottom, front part and rear part and unit foot Enclosure material for construction proposal - Cover plate top and bottom / Front and rear part: aluminium, powder-coated in RAL colour

**Notes:** The front lid could also be screwed with cylinder head screws or further processed. Not a stock article – enclosures are manufactured for individual customers.

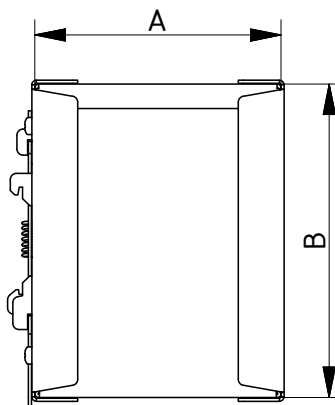
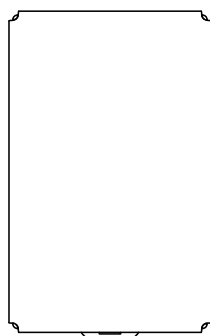
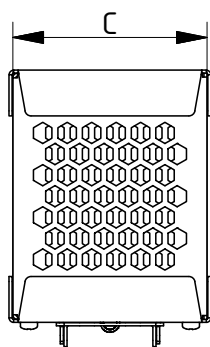


### DIN rail enclosure with ventilation

Model	Order no.	A	B	C	Note
IC/H 041118-L	28031005*	40	110	182.5	With ventilation
IC/H 081006-L	28031001*	80.5	102.5	63.5	With ventilation
IC/H 081013-L	28031006*	110	80.5	130	With ventilation
IC/H 101005-L	28031002*	100.5	102.5	51.5	With ventilation
IC/H 101605-L	28031003*	100.5	162.5	51.5	With ventilation
IC/H 161005-L	28031004*	160.5	102.5	51.5	With ventilation

**Scope Of Delivery:** cover plate top and bottom, front part and rear part and unit foot Enclosure material for construction proposal - Cover plate top and bottom / Front and rear part: aluminium, powder-coated in RAL colour

**Notes:** The front lid could also be screwed with cylinder head screws or further processed. Not a stock article – enclosures are manufactured for individual customers.



Z-2904045

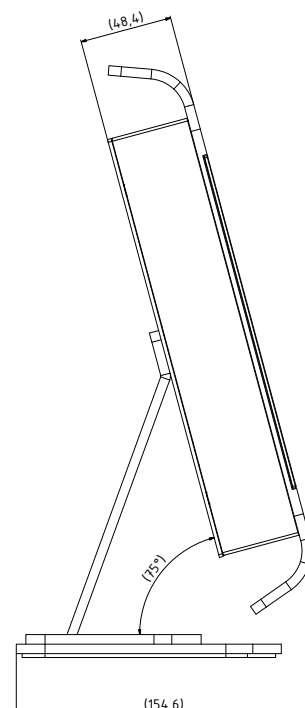
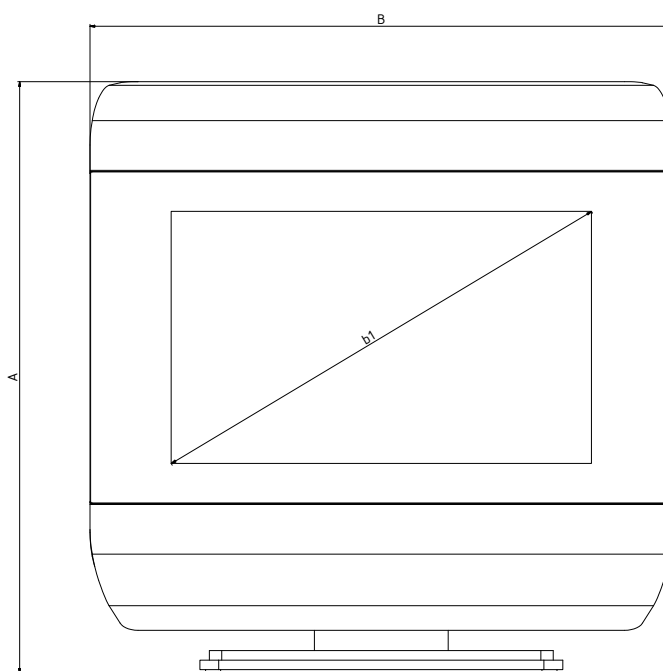
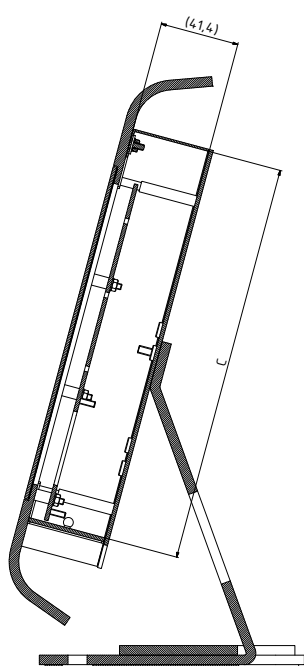
# Interzoll Case

## Monitor enclosures

### Monitor enclosures

Model	Order no.	A	B	C	b1	Display max.
IC/M 7"	<b>28040002*</b>	309.8	305	209.6	256.54	10.1"
Scharnier/Hinge	<b>28040003*</b>	-	-	-	-	-

**Scope Of Delivery:** Front panel incl. glass, frame, rear lid, foot and fixing material Enclosure material design suggestion - Front panel: Aluminium, powder-coated in RAL colour incl. 2mm thick glass - Frame: Aluminium, powder-coated in RAL colour - Rear lid: Aluminium, powder-coated in RAL colour - Foot: Electrolytically-galvanised sheet steel, powder-coated in RAL colour incl. EPDM sponge rubber



# Interzoll Case

## Cavity wall installation enclosure



### Cavity wall installation enclosure for panel PC

**Model** IC/E 10,1" Panel  
**Order no.** A B C c1

**Scope Of Delivery:** front panel, side trims, display frame and cavity wall mounting frame Enclosure material for construction proposal - Front panel and side trims: anodised aluminium - Display frame: untreated aluminium - Cavity wall installation frame: sheet steel, sendzimir-galvanised

**Notes:** Not a stock article - enclosures are made to customers' specifications.

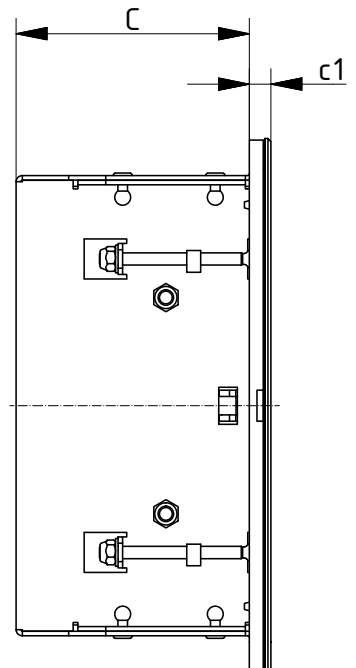
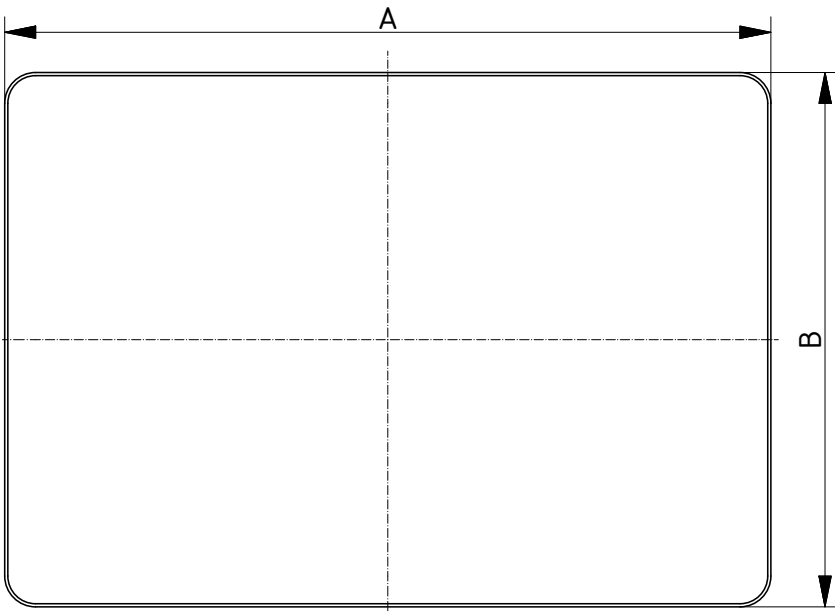
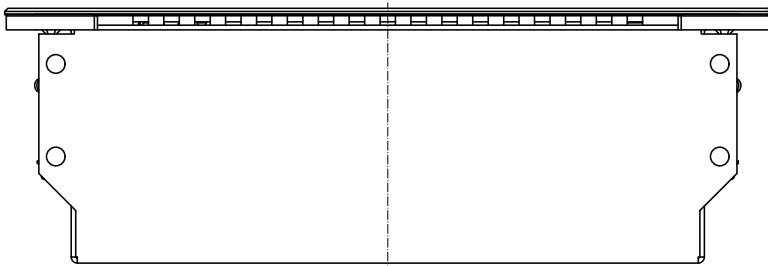


### Cavity wall installation enclosure with glass front

Model	Order no.	A	B	C	c1	Display max.
IC/E 7,0" Glas	28050002*	308	215	75.5	7	10.1"

**Scope Of Delivery:** front panel, side trims, display frame, cavity wall mounting frame, retaining plate and glass Enclosure material for construction proposal - Side trims: anodised aluminium - Display frame: untreated aluminium - Cavity wall installation frame: sheet steel, sendzimir-galvanised - Retaining plate: untreated aluminium - Glass: non-reflecting float glass, chemically-treated on one side

**Notes:** Enclosure suitable for integration of a touch screen / displays. Not a stock article – enclosures are manufactured for individual customers.



Z-2804071



**BOPLA**

A Phoenix Mecano Company