

The product advantages



By using an Internorm enclosure, a 19" subrack can be converted into a sturdy desktop device. The enclosure half-shells – made of impact-resistant plastic – are screwed together using variable-length aluminium profiles.



The enclosure screws are under hinged covers opened by means of a pushbutton. This principle is used for the tip-up feet on the underside of the enclosure.



The height of both half-shells (basic height: 3 U) can be extended in 1 U steps with extension sets.



The enclosure can be upgraded to protection class IP54 by the use of seals and IP front panels or lockable doors.



Different front and rear panels allow adaptation of the enclosure to a very wide range of applications.



Quick-Finder:
www.bopla.de/30

Examples of use





BOPLA

A Phoenix Mecano Company

Internorm



Colour:

Enclosure:

● Light grey, similar to RAL 7035

Corner profiles, cover caps, Door:

● Silver grey, similar to RAL 7001

Protection class:

IP40 / DIN EN 60529

IP54 / DIN EN 60529 optional

Material:

Enclosure: PS (polystyrene)

Seal: CR / TPE

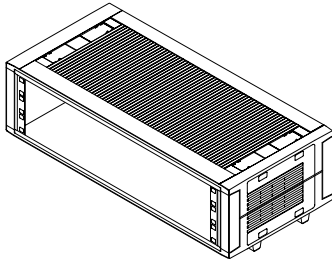
(Round cord / FIP seal)

For details see technical information.

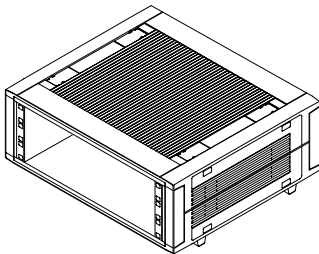


Enclosure sizes

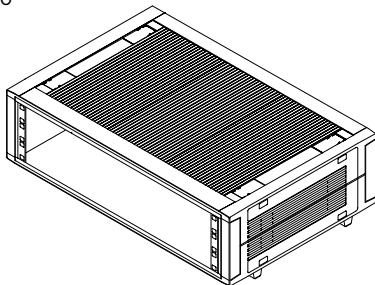
IN 25060



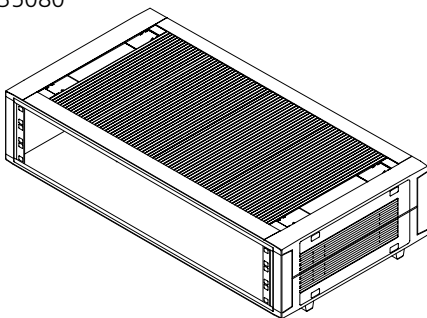
IN 35040



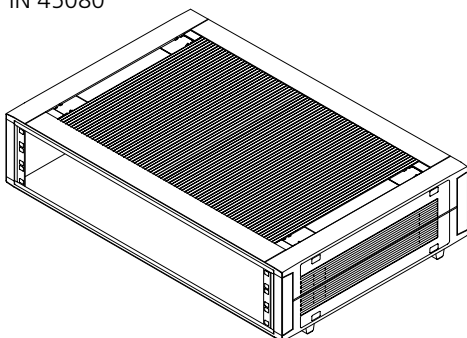
IN 35060



IN 35080

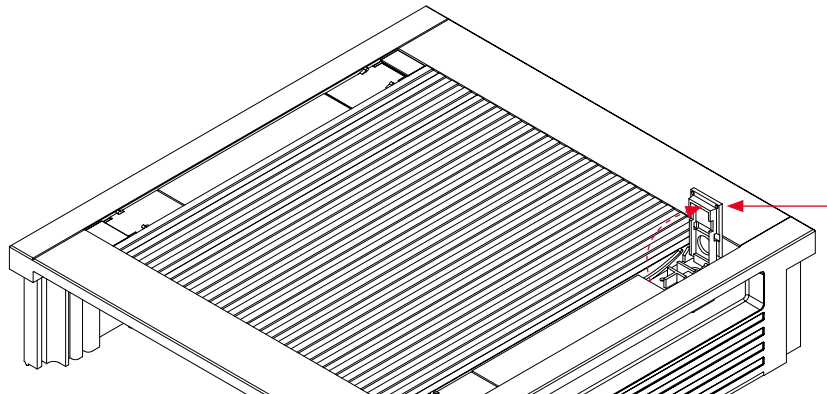


IN 45080

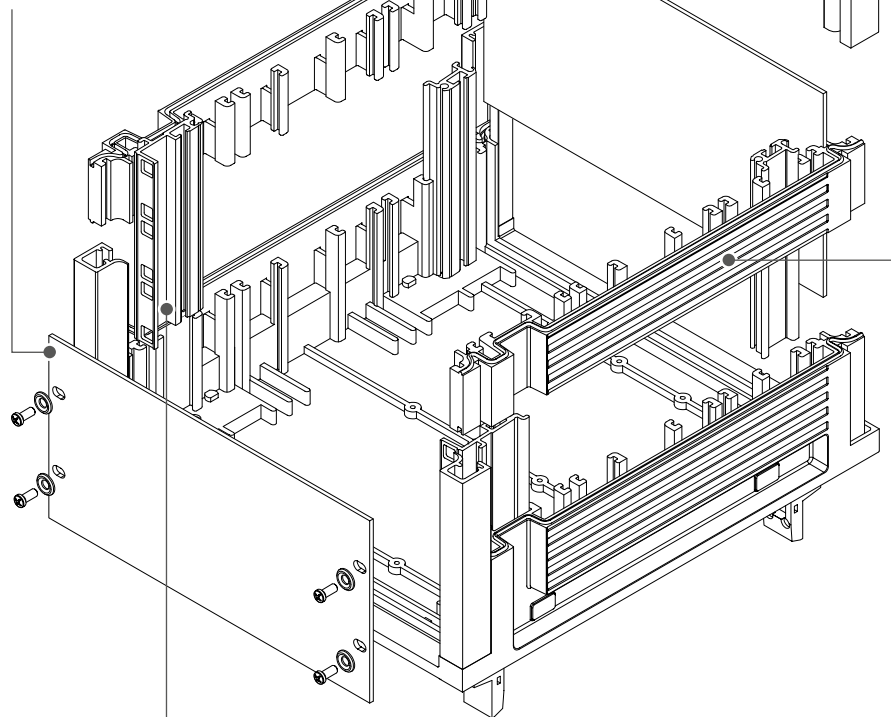


Design types

3 U



FPS ...
Front / back panels
screwable



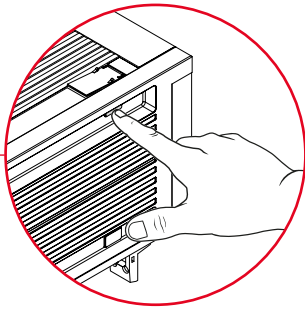
PZ ...
19" profile sets for fitting of subracks
or screw-on front panels.



BOPLA

A Phoenix Mecano Company

Internorm



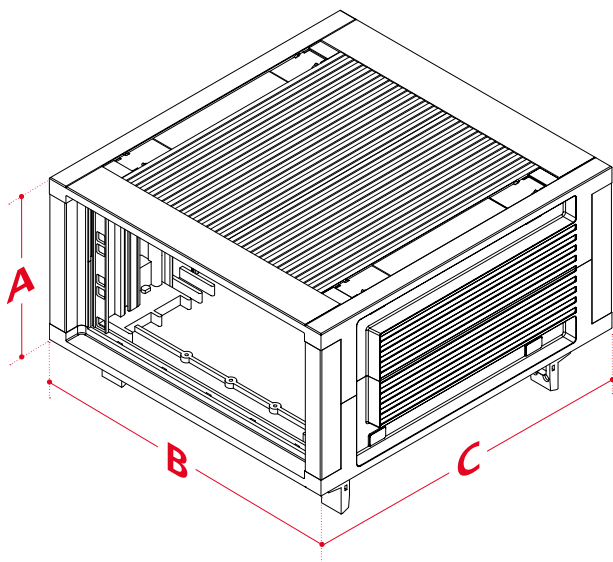
Press to open!

PEK ...

corner profile sets for pushing or latching onto the enclosure corners. Optionally also available with moulded-on wall bracket.

AB ...

One extension set raises the enclosure by one HP. Extensions sets with air vents on request.



Dimensions

Model	A	B	C	HP
3 U				
IN 25060	169	434	250	63
IN 35040	169	327	350	42
IN 35060	169	434	350	63
IN 35080	169	540	350	84
IN 45080	169	540	450	84

Accessories



Wall corner profile sets



Seal IP 54 / EMC seal for enclosures and extension sets



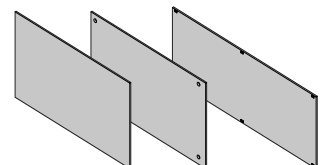
Extension sets 1 HP



Snap-in outlet filter



Handles / tip-up bows, hinged



Front and part front panels in different versions

Internorm

Enclosure

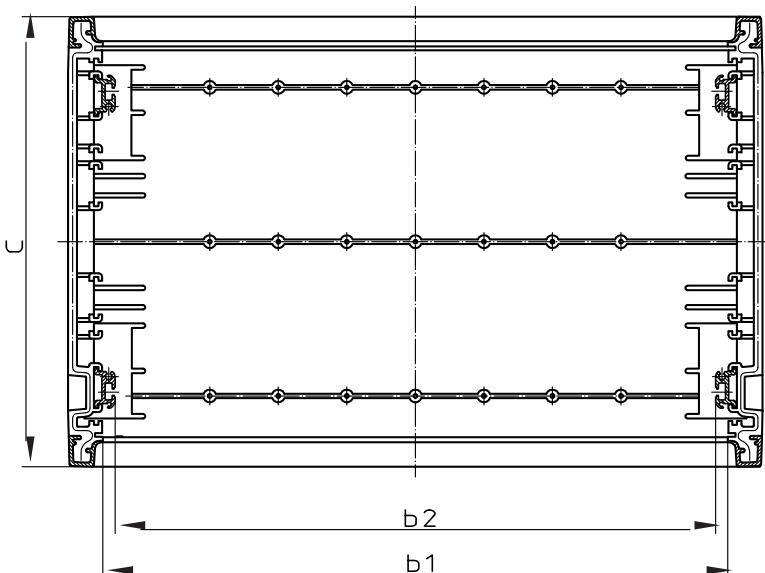
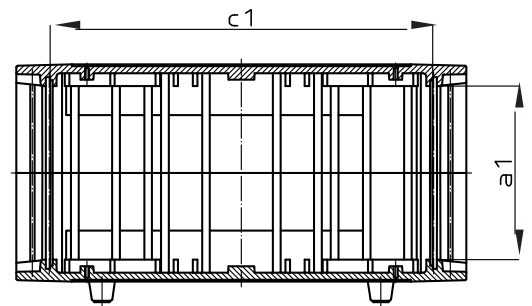
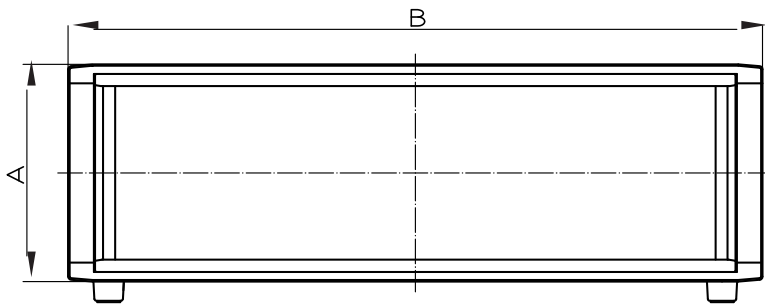


Enclosure half-shells, plain, with fitted screw covers and collapsible feet

Model	Order no.	A	B	C	a1	b1	b2	c1	U	HP
IN 25060	30250600	169	434	250	135	379	360	197	3	63
IN 35040	30350400	169	327	350	135	272	253	297	3	42
IN 35060	30350600	169	434	350	135	379	360	297	3	63
IN 35080	30350800	169	540	350	135	486	467	297	3	84
IN 45080	30450800	169	540	450	135	486	467	397	3	84

Scope Of Delivery: 2 enclosure half-shells including fixing material

Notes: Additional sizes and types with air vents on request. Necessary mounting, 19" and corner profiles (4 pieces) as accessories.



Z-2203305

Internorm

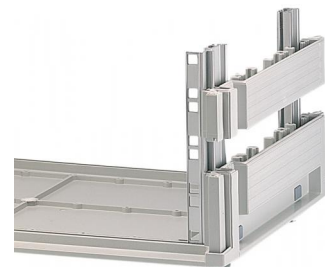
Extension sets

Extension sets 1 U

Model	Order no.	Note
AB 25100	31251000	For IN 25...
AB 35100	31351000	For IN 35...
AB 45100	31451000	For IN 45...

Scope Of Delivery: 1 extension set = 2 pieces

Notes: One extension set raises the enclosure by one U. Extensions sets with air vents on request.



Internorm

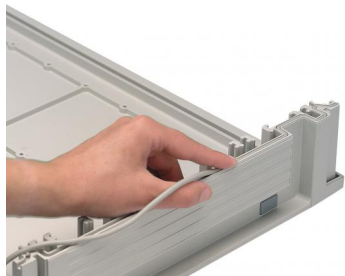
Seals

Seal IP 54 / EMC seal for enclosures and extension sets

Model	Order no.
IN-DI	31500000
IN-DI EMV	31500010

Scope Of Delivery: 1 m seal

Notes: FIP front panels or front doors are needed if ingress protection is required for the enclosure. Aluminium or conductive copper lacquering is required to achieve EMC protection.



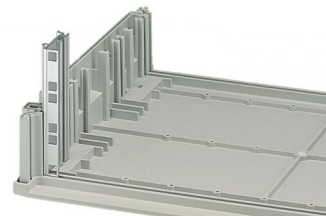
Internorm

[EMPTY TITLE - FILL IT IN ARTICLEROW OF CURRENT LANGUAGE (PR-ID: 382)]

19" profile sets, natural-coloured anodised aluminium, for fitting of subracks or screw-on FPS... front panels

Model	Order no.	U
PZ 00300	31000080	3
PZ 00400	31000081	4
PZ 00500	31000082	5
PZ 00600	31000083	6

Scope Of Delivery: 2 profiles



Mounting profile sets, natural-coloured anodised aluminium, vertical mounting grooves for insertion of FP..., FPK..., FIP... front panels

Model	Order no.	U
PM 00300	31000070	3
PM 00400	31000071	4
PM 00500	31000072	5
PM 00600	31000073	6

Scope Of Delivery: 2 profiles



Corner profile sets, plastic, silver grey, for pushing or latching onto the enclosure corners

Model	Order no.	U
PEK 00300	31030300	3
PEK 00400	31040300	4
PEK 00500	31050300	5
PEK 00600	31060300	6

Scope Of Delivery: 2 profiles

Notes: Additional sizes on request.



Wall corner profile sets, aluminium, silver grey, powdered

Model	Order no.	U
PEW 00300	31030400	3

Scope Of Delivery: 2 profiles

Notes: Additional sizes on request.



Internorm

Accessories



Handles / tip-up bows, hinged

Model	Order no.	HP	Note
HS 00040	31000641	42	For IN ...40
HS 00060	31000661	63	For IN ...60
HS 00080	31000681	84	For IN ...80

Scope Of Delivery: HS: Handle side parts (PA6), seals, screws HSP: profile (aluminium)

Notes: In connection with the front door, the handle recess must be at the back during fitting. Processing of the enclosure and mounting on request. The maximum load is 300 N.



Outlet filter, snap-in, ABS UL 94 V0, light grey

Model	Order no.	A	B	Note
AF 1515	31801515	150	150	Installation depth 28 mm

Scope Of Delivery: Lid/base, filter mat, cleaning instructions, servicing instructions

Notes: Mechanical processing of the enclosures is required for the fitting of the outlet filters. Technical details, filter specifications and additional designs on request.

Internorm

Screws

Internorm mounting material

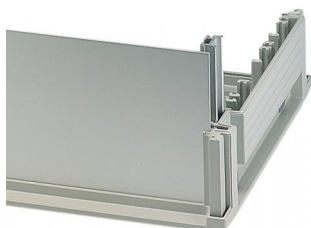
Model	Order no.	Note
KM 5	54700350	M5 cage nut for fitting of BGT / FPS in the enclosure or cabinet
KS 5	54700360	M5 cross-head screw for fitting of BGT / FPS in the enclosure or cabinet
KU 5	54700370	Washer for KS 5, nickel-plated brass
KM 4/5,3	54700340	M4 cage nut for insertion into the vertical groove of PM... and PZ... profiles.

Scope Of Delivery: 10 pieces



Internorm

Front panel

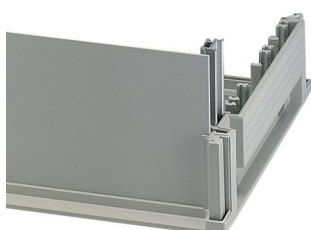


Front/rear panels, plug-in, natural-coloured anodised aluminium

Model	Order no.	U	Note
FP 00340	31000010	3	For IN ..040
FP 00360	31000020	3	For IN ..060
FP 00380	31000030	3	For IN ..080

Scope Of Delivery: 1 front panel

Notes: Only for use with PM... mounting profile. Additional sizes on request.

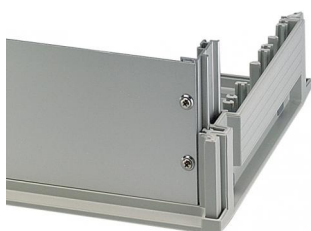


Front/rear panels, plug-in, plastic, light grey

Model	Order no.	U	Note
FPK 00340	31003400	3	For IN ..040
FPK 00360	31003600	3	For IN ..060
FPK 00380	31003800	3	For IN ..080

Scope Of Delivery: 1 front panel

Notes: Only for use with PM... mounting profile. Additional sizes on request.



Front/rear panels, screwable, natural-coloured anodised aluminium

Model	Order no.	U	Note
FPS 00180	31018100	1	For IN ..080
FPS 00240	31024100	2	For IN ..040
FPS 00260	31026100	2	For IN ..060
FPS 00280	31028100	2	For IN ..080
FPS 00340	31000040	3	For IN ..040
FPS 00360	31000050	3	For IN ..060
FPS 00380	31000060	3	For IN ..080
FPS 00480	31000061	4	For IN ..080
FPS 00580	31000062	5	For IN ..080
FPS 00680	31000063	6	For IN ..080

Scope Of Delivery: 1 front panel



Front/rear panels, plug-in, natural-coloured anodised aluminium, including fitted seal, IP 54

Model	Order no.	U	Note
FIP 00340	31000450	3	For IN ..040
FIP 00360	31000460	3	For IN ..060
FIP 00380	31000470	3	For IN ..080

Scope Of Delivery: 1 front panel



BOPLA

A Phoenix Mecano Company