

The product advantages



Our console enclosures are available in various designs and with different equipment features.



Thanks to a prepared sealing contour in the half-shells, Futura can be upgraded to IP54.



Futura enclosures consist of two identical half-shells which can be used as a console enclosure or desktop enclosure when turned by 180°.



In the elegant Bopult, the PCB is retained in place by the enclosure half-shells. No additional screwing necessary.



Quick-Finder:
www.bopla.de/47

Examples of use





BOPLA

A Phoenix Mecano Company

Futura | Bopult



Colour:

● Light grey, similar to RAL 7035

Special colours on request

Protection type:

Enclosure dependent: IP40 / DIN EN 60529

or IP54 / DIN EN 60529

Material:

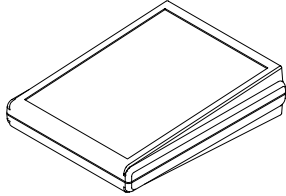
Enclosure: ABS

For details see technical information.

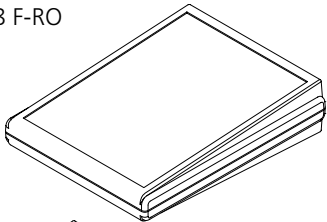


Enclosure sizes Futura

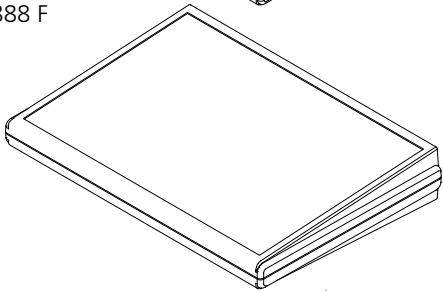
T 889 F



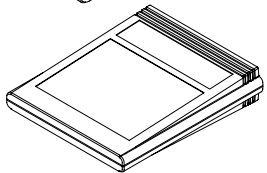
T 898 F / T 898 F-RO



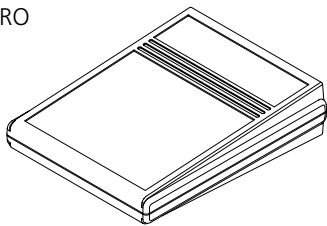
T 888 F



T 899

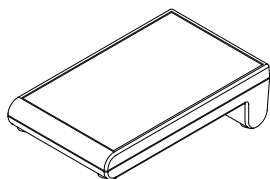


T 898 / T 898 RO



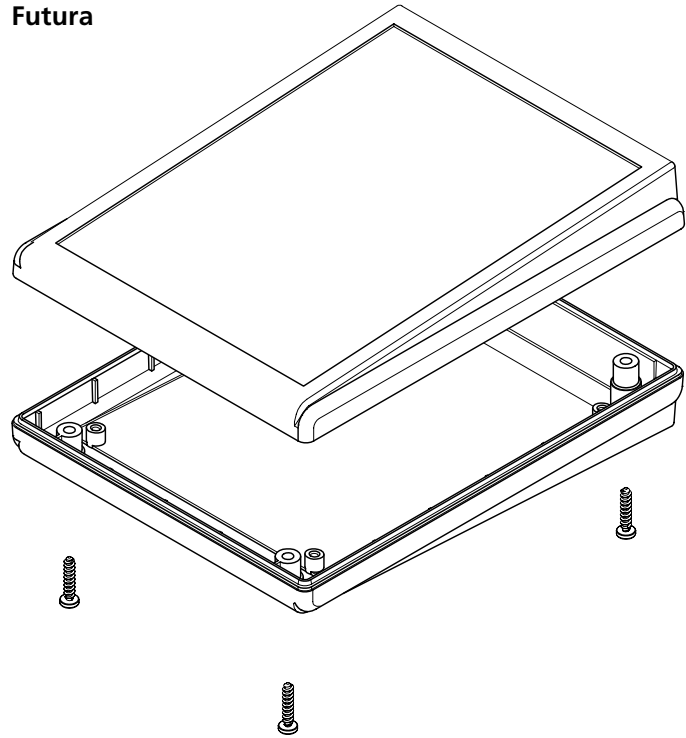
Enclosure sizes Bopult

BP 810

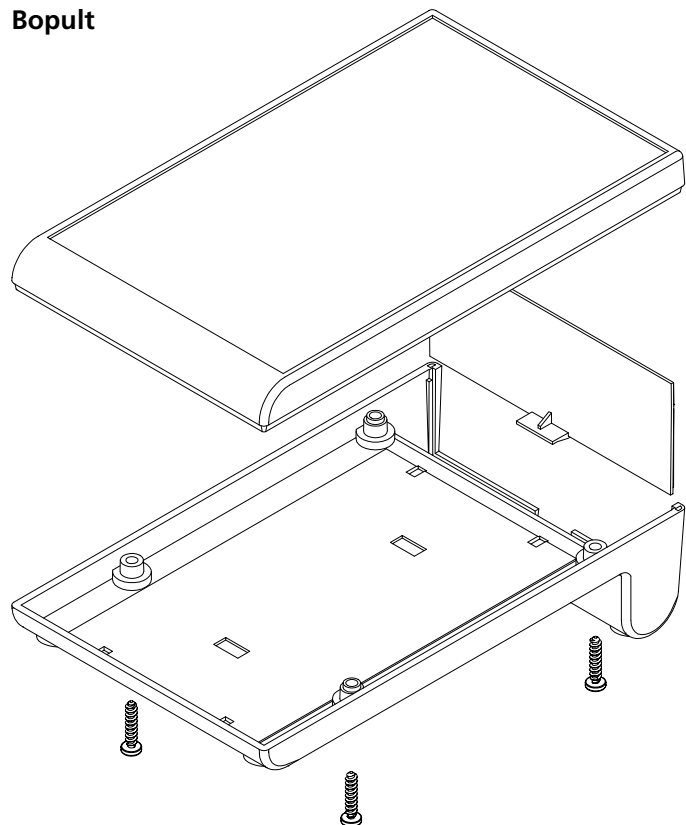


Design types

Futura



Bopult





BOPLA

A Phoenix Mecano Company

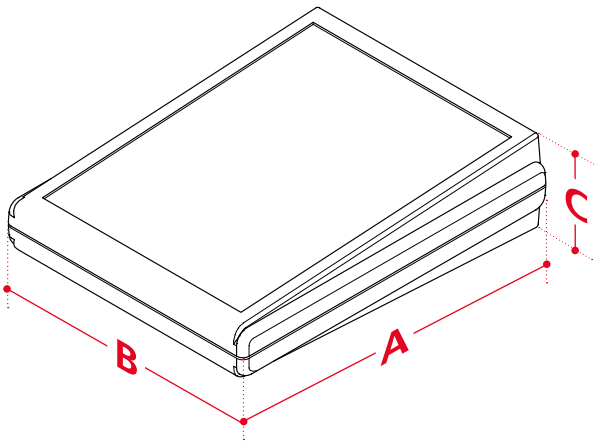
Futura | Bopult

Dimensions Futura

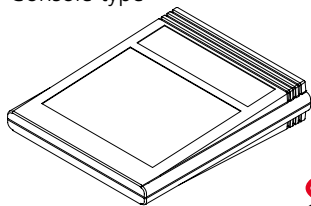
Model	A	B	C
T 888 F	275	195	48
T 889 F	132	170	44.9
T 898 (F) / (F-RO) / (RO)	151	195	48
T 899	125	150	30.7
T 890	300	225	50.6

Dimensions Bopult

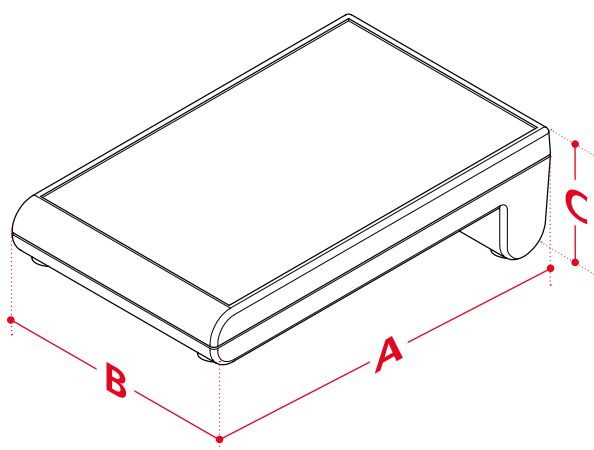
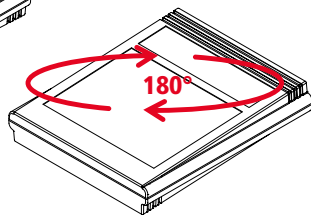
Model	A	B	C
BP 810	106	176	54.3



Console type



Desktop version



Futura / Bopult

Enclosure



Desktop enclosure with membrane keypad area

Model	Order no.	A	B	C	b1	c1	Note
T 888 F	47888200	275	195	48	7	36.3	IP 40; IP 54 on request
T 889 F	47889200	132	170	44.9	7	34.7	IP 40; IP 54 on request
T 898	47898000	151	195	48	7	36.3	IP 40; IP 54 on request
T 898 F	47898200	151	195	48	7	36.3	IP 40; IP 54 on request
T 899	47899001	125	150	30.7	6	22.8	IP 54

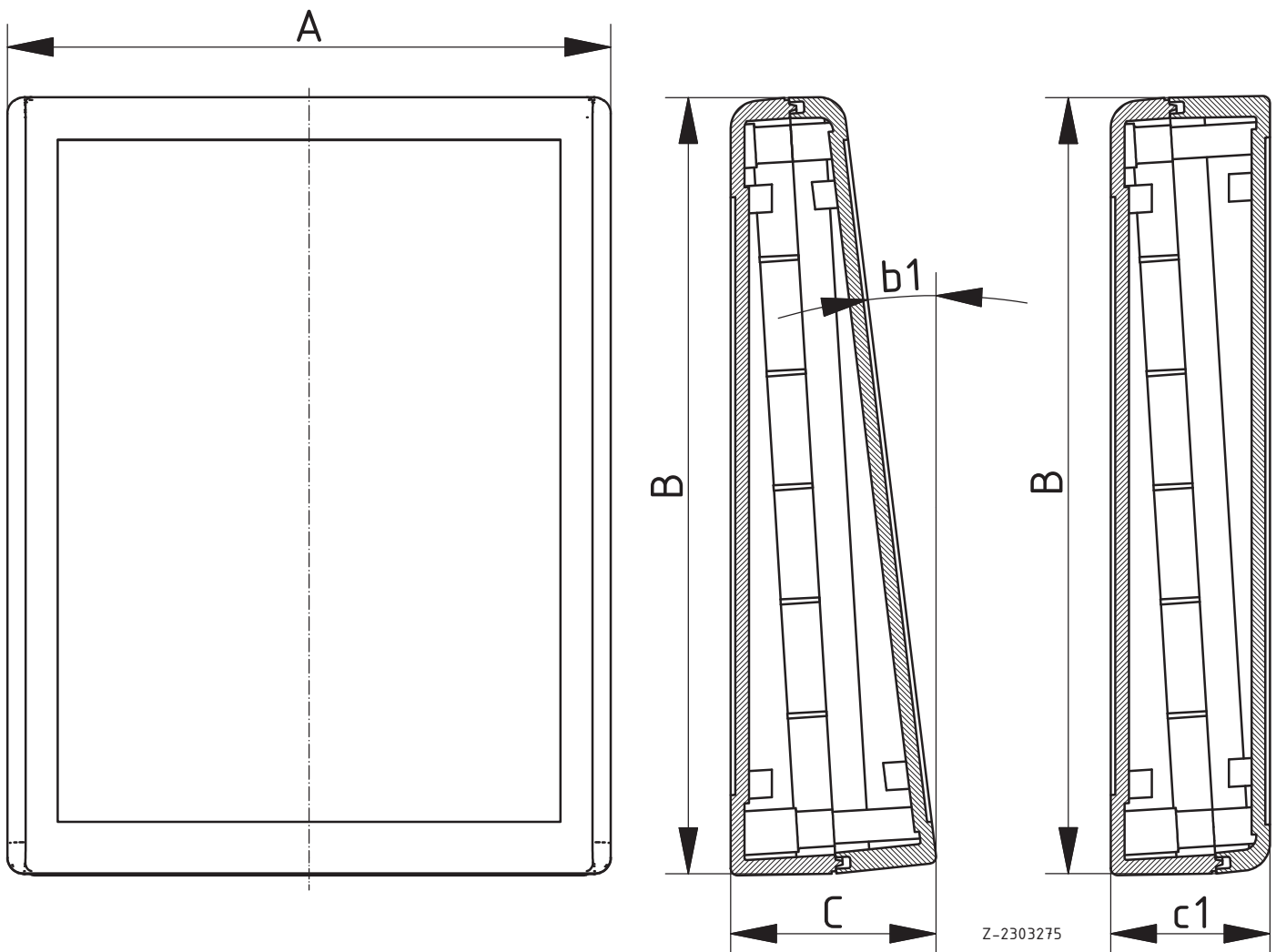
Scope Of Delivery: Lid and base, screws, rubber feet



Desktop enclosure with membrane keypad area and plug-in rear panel, natural-coloured anodised aluminium

Model	Order no.	A	B	C	b1	Note
T 898 RO	47898100*	151	195	48	7	IP 40
T 898 F-RO	47898300	151	195	48	7	IP 40

Scope Of Delivery: Lid and base, screws, aluminium rear panel, rubber feet



Futura / Bopult

Enclosure

Console enclosure

Model	Order no.	A	B	C	Note
BP 810	45810000	106	176	54.3	IP 40

Scope Of Delivery: Lid and base, fixing screws, front panel, rubber feet

Notes: The PCB is clamped between lid and base

