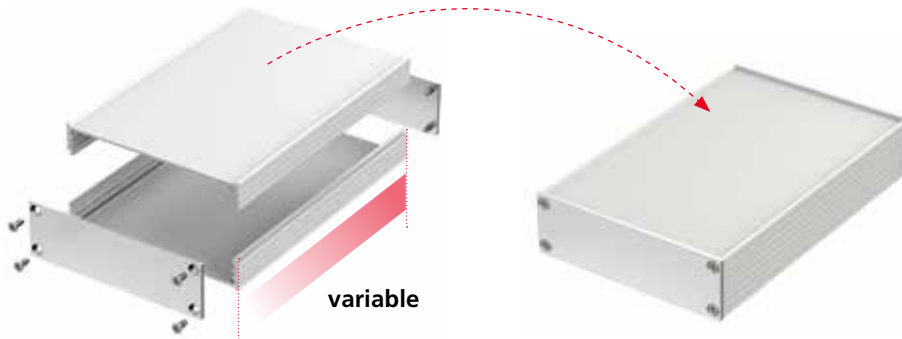
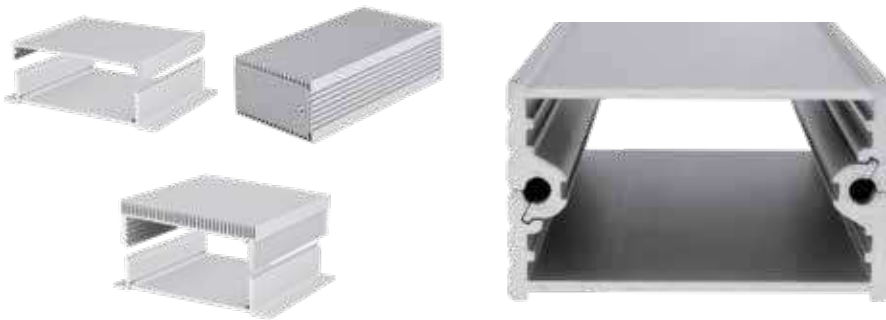


The product advantages



Filotec is based on two anodised aluminium profile half-shells. This means that the enclosure system is variable in length and can, if necessary, be adapted flexibly to the relevant application.



In addition to the various heights, the F 5.. and F 10.. offer profiles with integrated wall brackets or cooling fins.

Filotec is available in different profile widths. Profiles of different heights can be combined with each other within a family in order to vary the height of the enclosures.



The enclosure lids consist of anodised sheet aluminium and provide plenty of space for fitting connectors, printing, etc.



During the mounting of the enclosure lid, the enclosure halves are automatically screwed together



Quick-Finder:
www.bopla.de/97

Examples of use





BOPLA

A Phoenix Mecano Company

Filotec



Colour:

Anodized in natural color

Protection class:

IP40 / DIN EN 60529

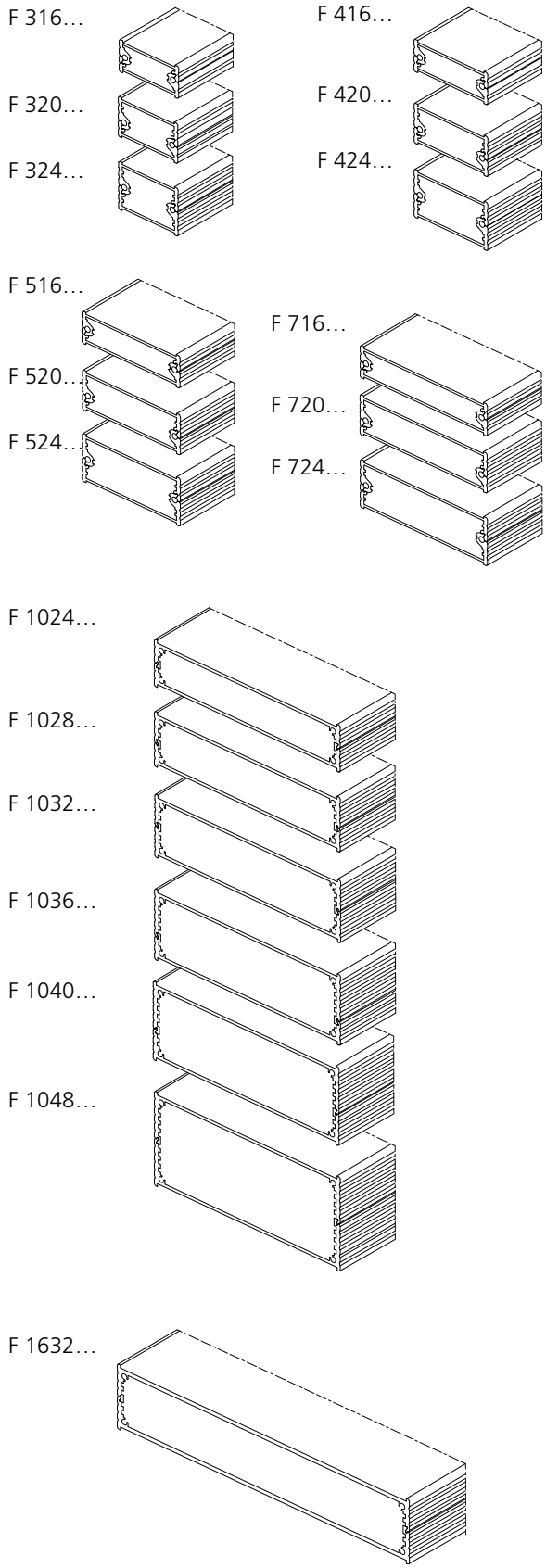
Material:

Enclosure: Al Mg Si 0,5; anodized

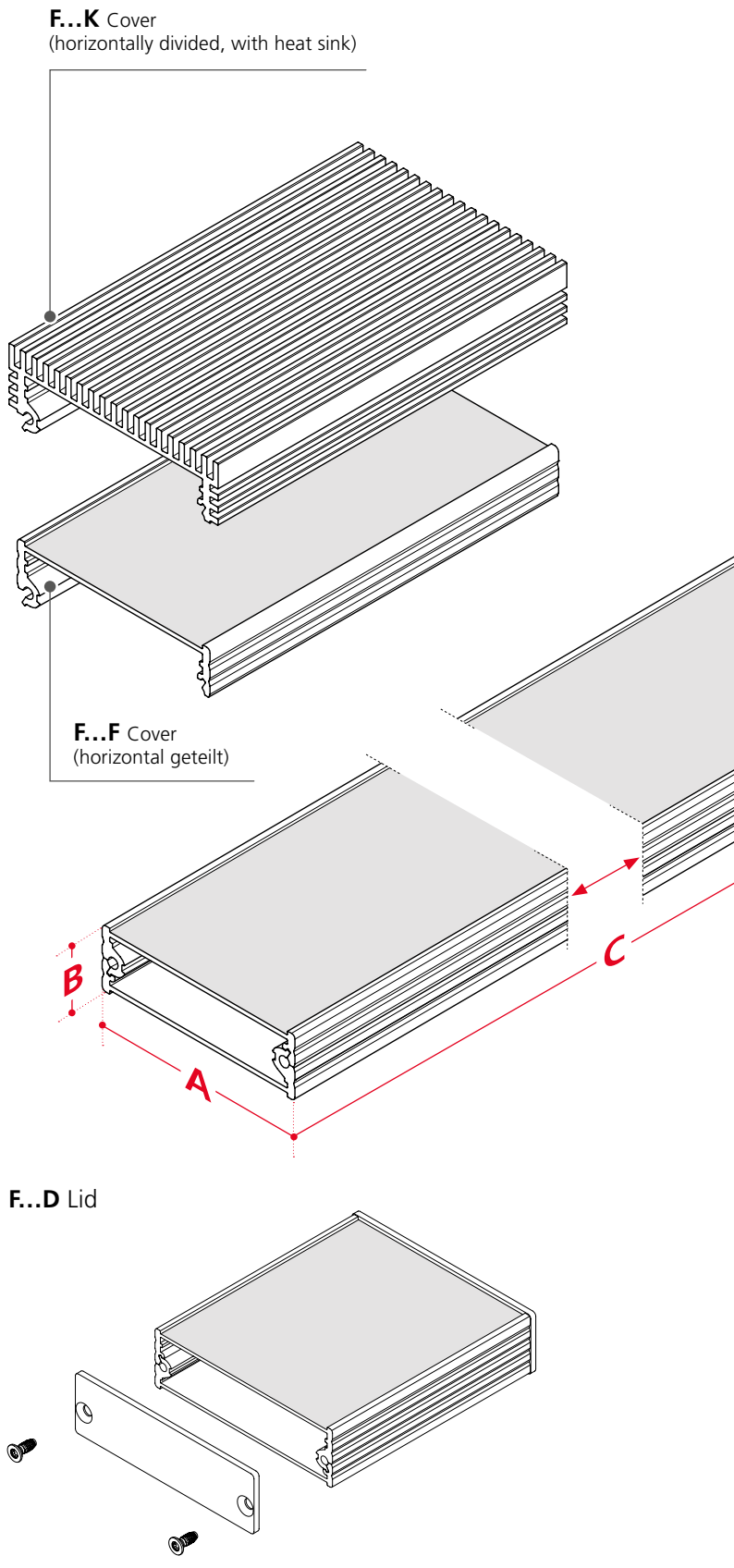
For details see technical information.



Profile cross-sections

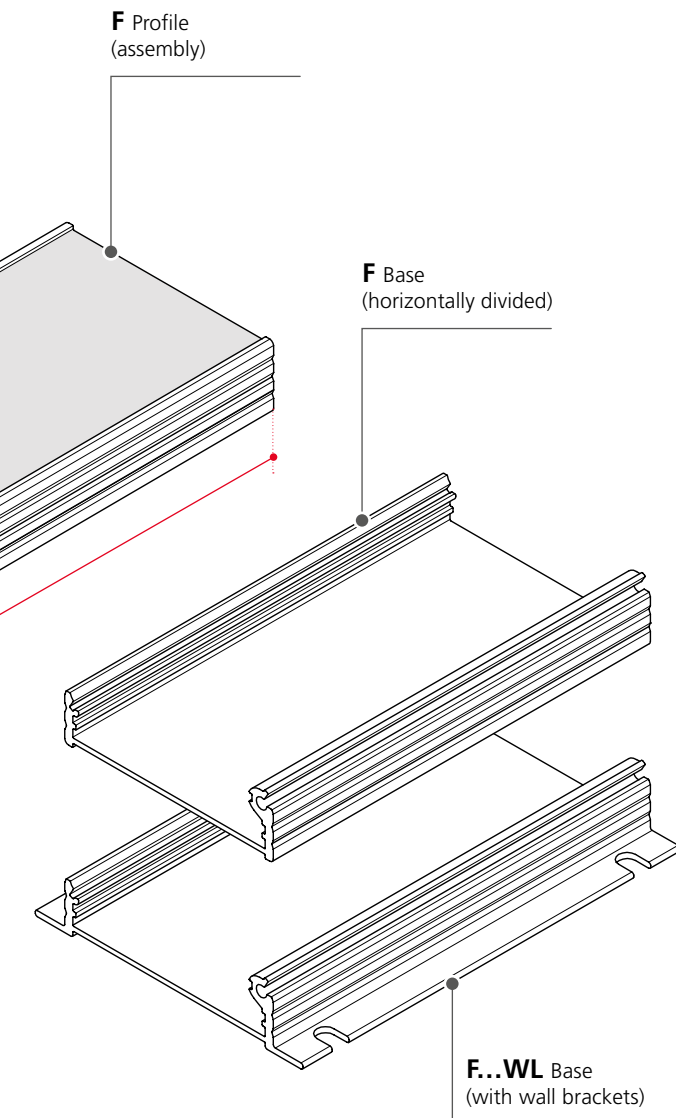


Enclosure versions



 **Note**

The lids and bases can be combined with each other.
For example: Lid with heat sink and base with wall brackets.



Dimensions

Model	A	B	C	WL	KWL	K
F 316...	33.6	16.4	*			
F 320...	33.6	20.4	*			
F 324...	33.6	24.4	*			
F 416...	41.6	16.4	*			
F 420...	41.6	20.4	*			
F 424...	41.6	24.4	*			
F 516...	55.3	16.4	*			
F 520...	55.3	20.4	*	✓		
F 524...	55.3	24.4	*	✓	✓	✓
F 716...	71.8	16.4	*			
F 720...	71.8	20.4	*			
F 724...	71.8	24.4	*			
F 1024...	105	24	*			
F 1028...	105	28	*			
F 1032...	105	32	*			
F 1036...	105	36	*	✓		
F 1040...	105	40	*	✓		
F 1048...	105	48	*	✓	✓	✓
F 1632...	165	33	*			

* C = Profile standard lengths depending on the mode 50 / 80 / 100 / 160 / 220 / 1000, special lengths on request.

Accessories



Aluminium cover, 2 mm
natural-coloured anodised

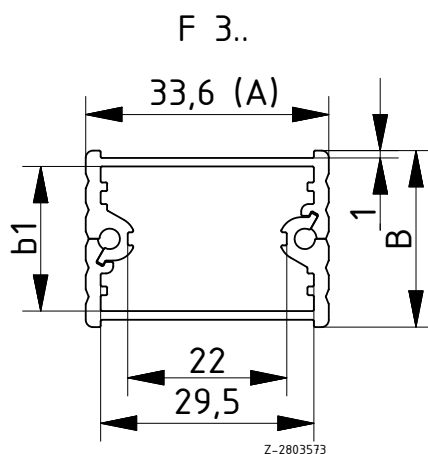
Filotec

Enclosure



Model	Order no.	A	B	C	b1
F 316-50	97131050	33.6	16.4	50	12
F 316-80	97131080	33.6	16.4	80	12
F 316-1000	97131000**	33.6	16.4	1000	12
F 320-50	97132050	33.6	20.4	50	16
F 320-80	97132080	33.6	20.4	80	16
F 320-1000	97132000**	33.6	20.4	1000	16
F 324-50	97133050	33.6	24.4	50	20
F 324-80	97133080	33.6	24.4	80	20
F 324-1000	97133000**	33.6	24.4	1000	20

Scope Of Delivery: 2 enclosure half shells, 4 screws for mounting cover



Filotec

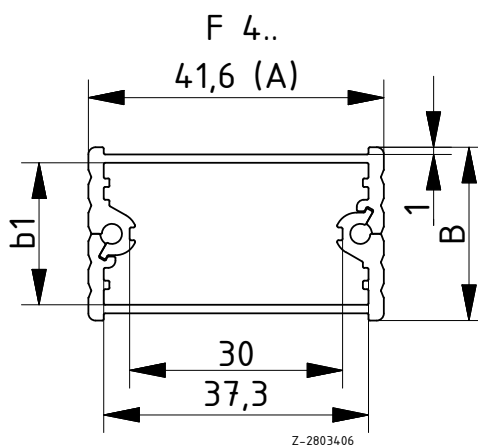
Enclosure

Enclosures with membrane keypad area (1 mm)

Model	Order no.	A	B	C	b1
F 416-50	97141050	41.6	16.4	50	12
F 416-80	97141080	41.6	16.4	80	12
F 416-100	97141100	41.6	16.4	100	12
F 416-1000	97141000**	41.6	16.4	1000	12
F 420-50	97142050	41.6	20.4	50	16
F 420-80	97142080	41.6	20.4	80	16
F 420-100	97142100	41.6	20.4	100	16
F 420-1000	97142000**	41.6	20.4	1000	16
F 424-50	97143050	41.6	24.4	50	20
F 424-80	97143080	41.6	24.4	80	20
F 424-100	97143100	41.6	24.4	100	20
F 424-1000	97143000**	41.6	24.4	1000	20



Scope Of Delivery: 2 enclosure half shells, 4 screws for mounting cover



Filotec

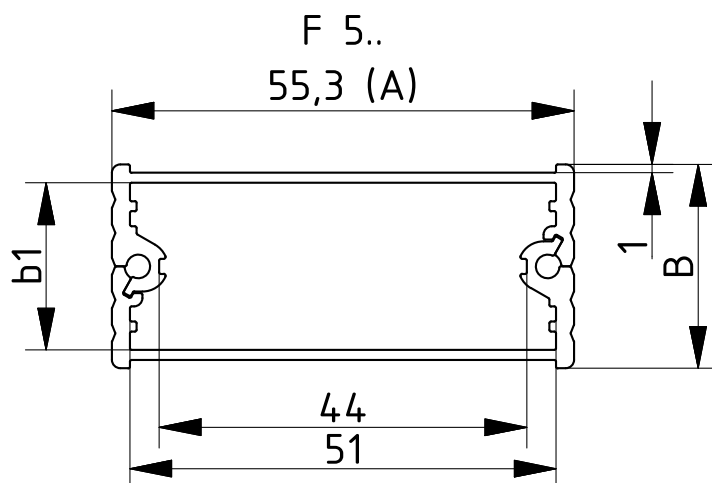
Enclosure



Enclosures with membrane keypad area (1 mm)

Model	Order no.	A	B	C	b1
F 516-50	97151050	55.3	16.4	50	12
F 516-80	97151080	55.3	16.4	80	12
F 516-100	97151100	55.3	16.4	100	12
F 516-1000	97151000**	55.3	16.4	1000	12
F 520-50	97152050	55.3	20.4	50	16
F 520-80	97152080	55.3	20.4	80	16
F 520-100	97152100	55.3	20.4	100	16
F 520-1000	97152000**	55.3	20.4	1000	16
F 524-50	97153050	55.3	24.4	50	20
F 524-80	97153080	55.3	24.4	80	20
F 524-100	97153100	55.3	24.4	100	20
F 524-1000	97153000**	55.3	24.4	1000	20

Scope Of Delivery: 2 enclosure half shells, 4 screws for mounting cover



Z-2803731

Filotec

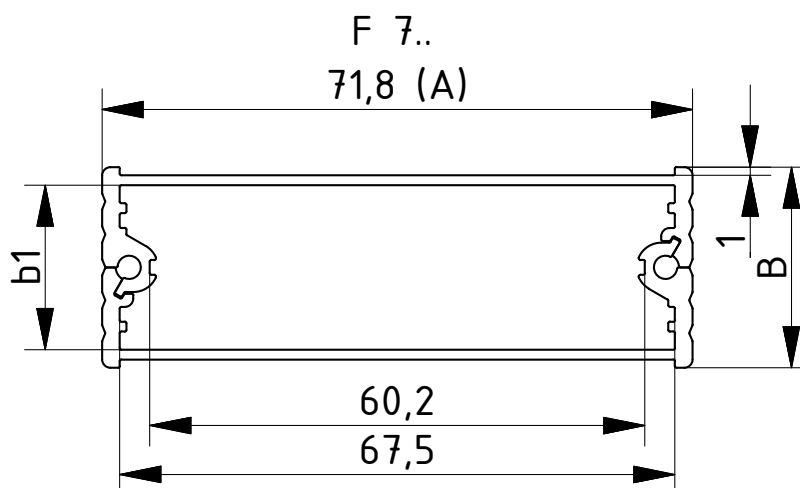
Enclosure

Enclosures with membrane keypad area (1 mm)

Model	Order no.	A	B	C	b1
F 716-50	97171050	71.8	16.4	50	12
F 716-80	97171080	71.8	16.4	80	12
F 716-100	97171100	71.8	16.4	100	12
F 716-1000	97171000**	71.8	16.4	1000	12
F 720-50	97172050	71.8	20.4	50	16
F 720-80	97172080	71.8	20.4	80	16
F 720-100	97172100	71.8	20.4	100	16
F 720-1000	97172000**	71.8	20.4	1000	16
F 724-50	97173050	71.8	24.4	50	20
F 724-80	97173080	71.8	24.4	80	20
F 724-100	97173100	71.8	24.4	100	20
F 724-1000	97173000**	71.8	24.4	1000	20



Scope Of Delivery: 2 enclosure half shells, 4 screws for mounting cover



Z-2803408

Filotec

Enclosure



Filotec enclosures with membrane keypad area (1.5 mm)

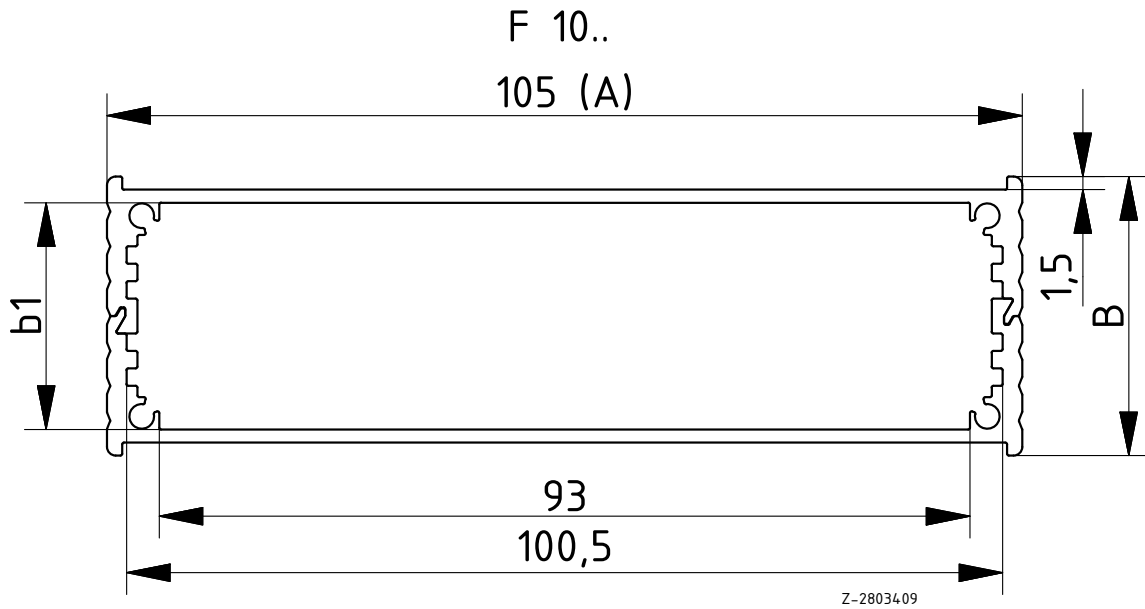
Model	Order no.	A	B	C	b1
F 1024-80	97113080	105	24	80	18
F 1024-100	97113100	105	24	100	18
F 1024-160	97113160	105	24	160	18
F 1024-220	97113220	105	24	220	18
F 1024-1000	97113000**	105	24	1000	18
F 1028-80	97114080	105	28	80	22
F 1028-100	97114100	105	28	100	22
F 1028-160	97114160	105	28	160	22
F 1028-220	97114220	105	28	220	22
F 1028-1000	97114000**	105	28	1000	22
F 1032-80	97115080	105	32	80	26
F 1032-100	97115100	105	32	100	26
F 1032-160	97115160	105	32	160	26
F 1032-220	97115220	105	32	220	26
F 1032-1000	97115000**	105	32	1000	26
F 1036-80	97116080	105	36	80	30
F 1036-100	97116100	105	36	100	30
F 1036-160	97116160	105	36	160	30
F 1036-220	97116220	105	36	220	30
F 1036-1000	97116000**	105	36	1000	30
F 1040-80	97117080	105	40	80	34
F 1040-100	97117100	105	40	100	34
F 1040-160	97117160	105	40	160	34
F 1040-220	97117220	105	40	220	34
F 1040-1000	97117000**	105	40	1000	34
F 1048-80	97118080	105	48	80	42
F 1048-100	97118100	105	48	100	42
F 1048-160	97118160	105	48	160	42
F 1048-220	97118220	105	48	220	42
F 1048-1000	97118000**	105	48	1000	42

Scope Of Delivery: 2 enclosure half shells, 8 screws for mounting cover



BOPLA

A Phoenix Mecano Company



Filotec

Enclosure

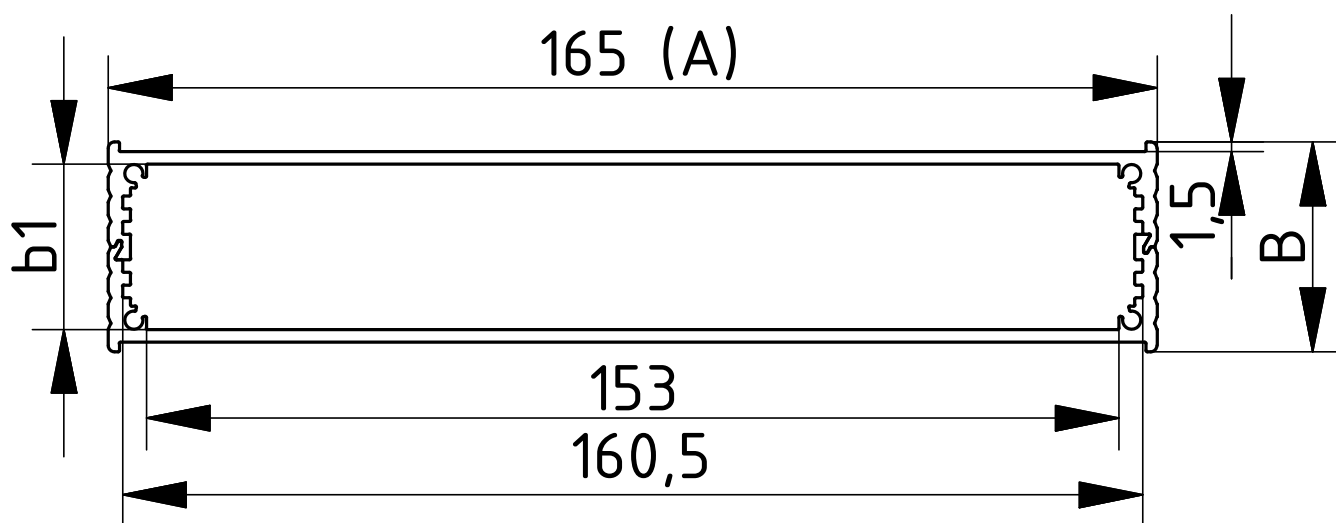


Filotec enclosures with membrane keypad area (1.5 mm)

Model	Order no.	A	B	C	b1
F 1632-80	97185080*	165	33	80	26
F 1632-100	97185100*	165	33	100	26
F 1632-160	97185160*	165	33	160	26
F 1632-220	97185220*	165	33	220	26
F 1632-1000	97185000**	165	33	1000	26

Scope Of Delivery: 2 enclosure half shells, 8 screws for mounting cover

F 16..



Z-2803811

Filotec

Enclosure with wall brackets

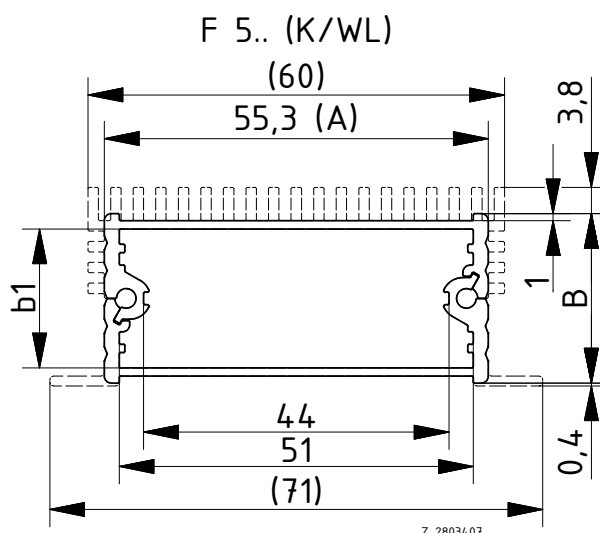
Filotec enclosures with membrane keypad area (1 mm) on one half-shell and continuous profiled wall brackets on the other half-shell



Model	Order no.	A	B	C	b1
F 520-50 WL	97252050	55.3	20.4	50	16
F 520-80 WL	97252080	55.3	20.4	80	16
F 520-100 WL	97252100	55.3	20.4	100	16
F 520-1000 WL	97252000**	55.3	20.4	1000	16
F 524-50 WL	97253050	55.3	24.4	50	20
F 524-80 WL	97253080	55.3	24.4	80	20
F 524-100 WL	97253100	55.3	24.4	100	20
F 524-1000 WL	97253000**	55.3	24.4	1000	20

Scope Of Delivery: 2 enclosure half shells, 4 screws for mounting cover

Notes: C = profile length, special lengths on request. Covers: See following pages. Please order separately. ** = supplied without wall fitting holes and screw accessory pack. Please order fixing screws (1 piece) separately: 59000175.



Filotec

Enclosure with wall brackets



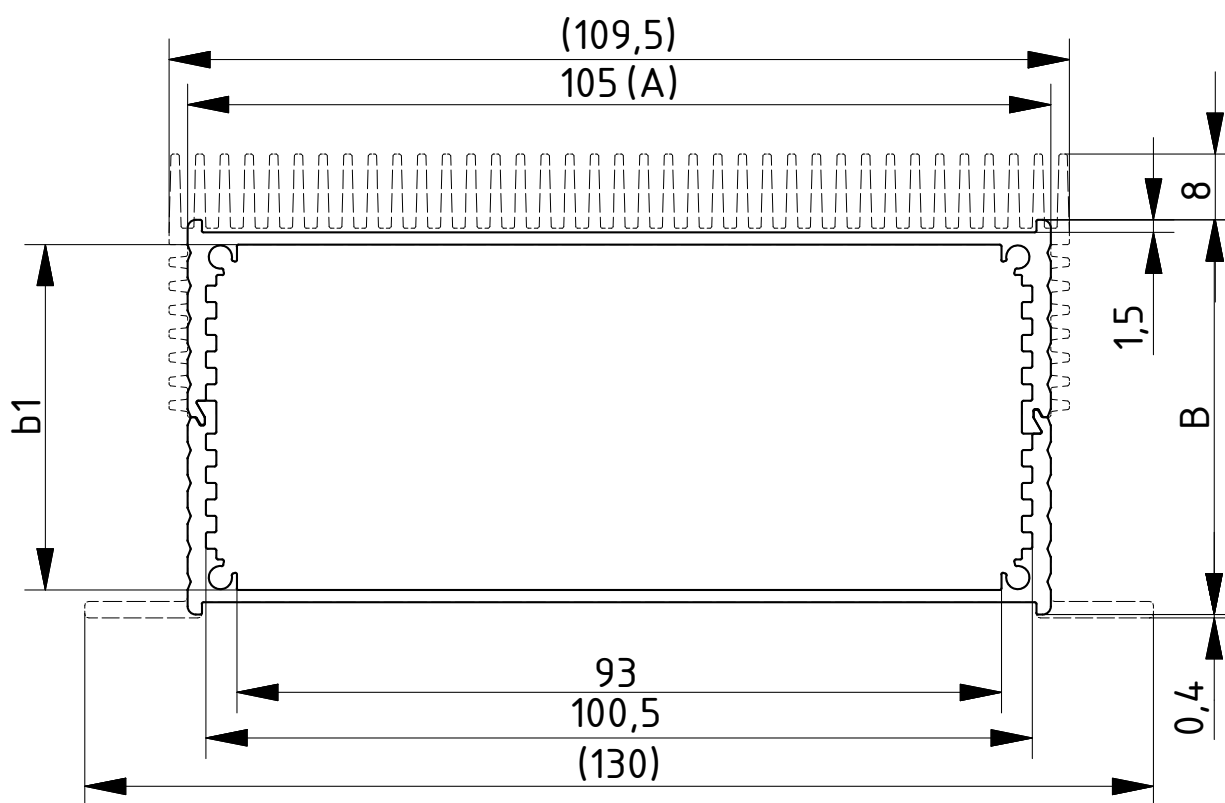
Filotec enclosures with membrane keypad area (1,5 mm) on one half-shell and continuous profiled wall brackets on the other half-shell

Model	Order no.	A	B	C	b1
F 1036-80 WL	97216080	105	36	80	30
F 1036-100 WL	97216100	105	36	100	30
F 1036-160 WL	97216160	105	36	160	30
F 1036-220 WL	97216220	105	36	220	30
F 1036-1000 WL	97216000**	105	36	1000	30
F 1040-80 WL	97217080	105	40	80	34
F 1040-100 WL	97217100	105	40	100	34
F 1040-160 WL	97217160	105	40	160	34
F 1040-220 WL	97217220	105	40	220	34
F 1040-1000 WL	97217000**	105	40	1000	34
F 1048-80 WL	97218080	105	48	80	42
F 1048-100 WL	97218100	105	48	100	42
F 1048-160 WL	97218160	105	48	160	42
F 1048-220 WL	97218220	105	48	220	42
F 1048-1000 WL	97218000**	105	48	1000	42

Scope Of Delivery: 2 enclosure half shells, 8 screws for mounting cover

Notes: C = profile length, special lengths on request. Covers: See following pages. Please order separately. ** = supplied without wall fitting holes and screw accessory pack. Please order fixing screws (1 piece) separately: 59000175.

F 10.. (K/WL)



Z-2803574

Filotec

Enclosures with cooling fins

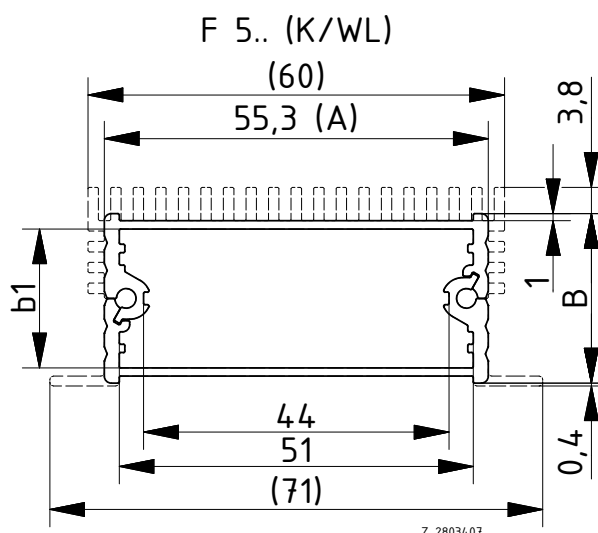
Enclosures with cooling fins on one half-shell and continuous profiled wall brackets on the other half-shell

Model	Order no.	A	B	C	b1
F 524-50 KWL	97453050	55.3	24.4	50	20
F 524-80 KWL	97453080	55.3	24.4	80	20
F 524-100 KWL	97453100	55.3	24.4	100	20
F 524-1000 KWL	97453000**	55.3	24.4	1000	20



Scope Of Delivery: 2 enclosure half shells, 4 screws for mounting cover

Notes: C = profile length, special lengths on request. Covers: See following pages. Please order separately. ** = supplied without wall fitting holes and screw accessory pack. Please order fixing screws (1 piece) separately: 59000175.



Filotec

Enclosures with cooling fins



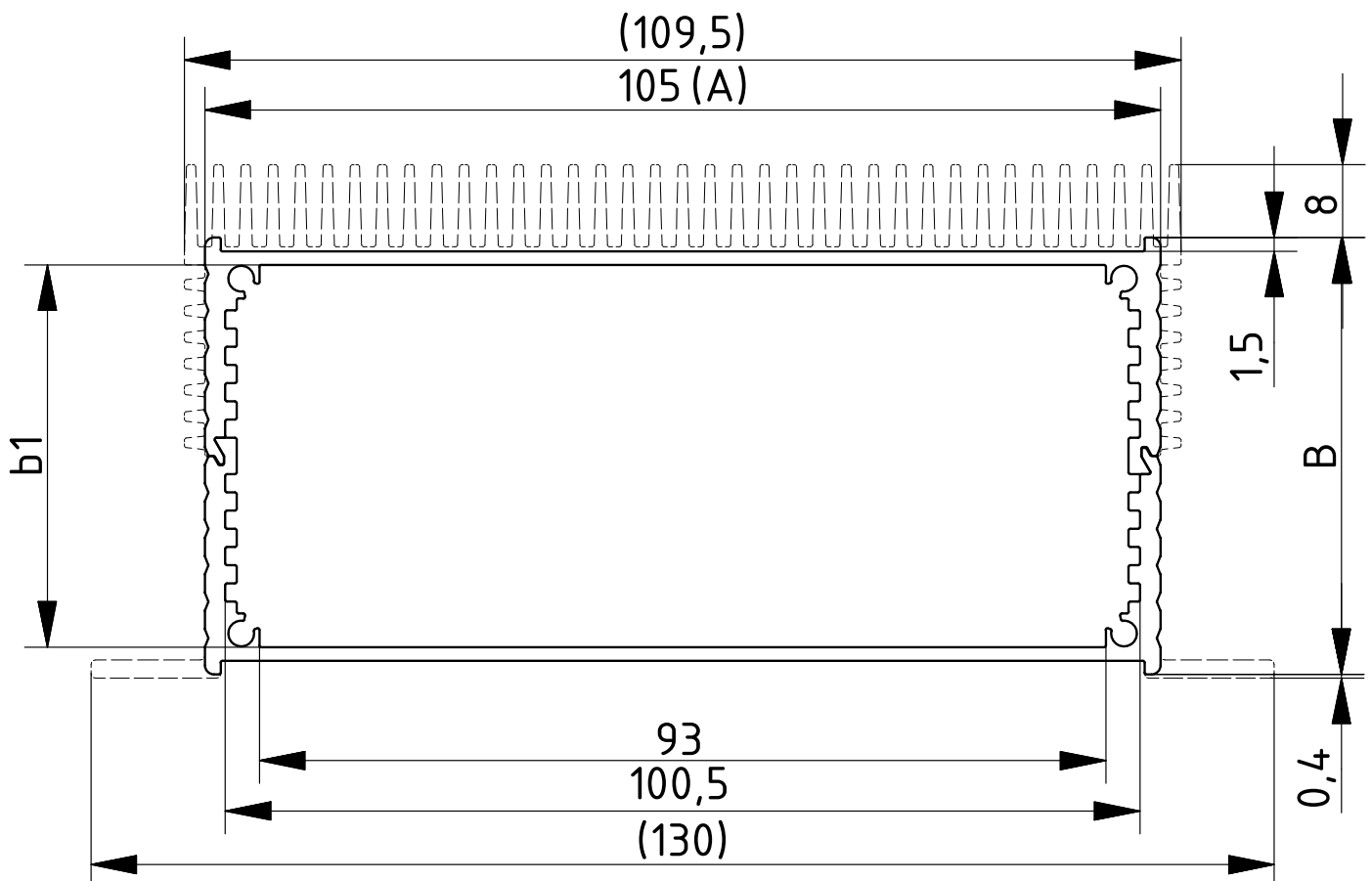
Enclosures with cooling fins on one half-shell and continuous profiled wall brackets on the other half-shell

Model	Order no.	A	B	C	b1
F 1048-80 KWL	97418080	105	48	80	42
F 1048-100 KWL	97418100	105	48	100	42
F 1048-160 KWL	97418160	105	48	160	42
F 1048-220 KWL	97418220	105	48	220	42
F 1048-1000 KWL	97418000**	105	48	1000	42

Scope Of Delivery: 2 enclosure half shells, 8 screws for mounting cover

Notes: C = profile length, special lengths on request. Covers: See following pages. Please order separately. ** = supplied without wall fitting holes and screw accessory pack. Please order fixing screws (1 piece) separately: 59000175.

F 10.. (K/WL)



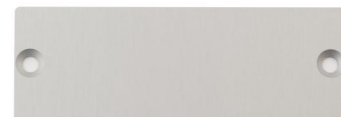
Z-2803574

Filotec

Cover

Cover, natural-coloured anodised aluminium, 2 mm

Model	Order no.	Note
F 316 D	97633160	For F 316-...
F 320 D	97633200	For F 320-...
F 324 D	97633240	For F 324-...
F 416 D	97641160	For F 416-...
F 420 D	97641200	For F 420-...
F 424 D	97641240	For F 424-...
F 516 D	97655160	For F 516-...
F 520 D	97655200	For F 520-...
F 524 D	97655240	For F 524-...
F 716 D	97671160	For F 716-...
F 720 D	97671200	For F 720-...
F 724 D	97671240	For F 724-...
F 1024 D	97610240	For F 1024-...
F 1028 D	97610280	For F 1028-...
F 1032 D	97610320	For F 1032-...
F 1036 D	97610360	For F 1036-...
F 1040 D	97610400	For F 1040-...
F 1048 D	97610480	For F 1048-...
F 1632 D	97616320*	For F 1632-...



Scope Of Delivery: 1 Cover