

Produktvorteile



PC

ABS

Euromas X erweitert das klassische EUROMAS Programm um neue Formate und Funktionen. Es ist in den Materialvarianten ABS und Polycarbonat erhältlich.

PC Varianten erreichen mit einer hochwertigen eingespritzten Dichtung die Schutzart IP 66/68; ABS IP65.



Quick-Finder:
www.bopla.de/07



Zahlreiche Bauformen sind mit direkt angeformten Wandlaschen ausgerüstet.



Euromas X Gehäuse verfügen über eine abgesenkte Fläche zur Montage von Folientastaturen oder Displayscheiben.



Die gegen Herausfallen gesicherten Deckelschrauben werden in hochwertige Gewindebuchsen eingeschraubt.



Leiterkarten können über Schraubdome im Unterteil sicher befestigt werden.





BOPLA

A Phoenix Mecano Company

Euromas X



Farbton:

● Lichtgrau, ähnlich RAL 7035

Sonderfarben auf Anfrage

Schutzart:

PC-Varianten: IP66 / IP68 (1,2 m - 2 h) DIN EN 60529

ABS-Varianten: IP65 DIN EN 60529

Schlagfestigkeit: IK07 nach IEC 62262

Material:

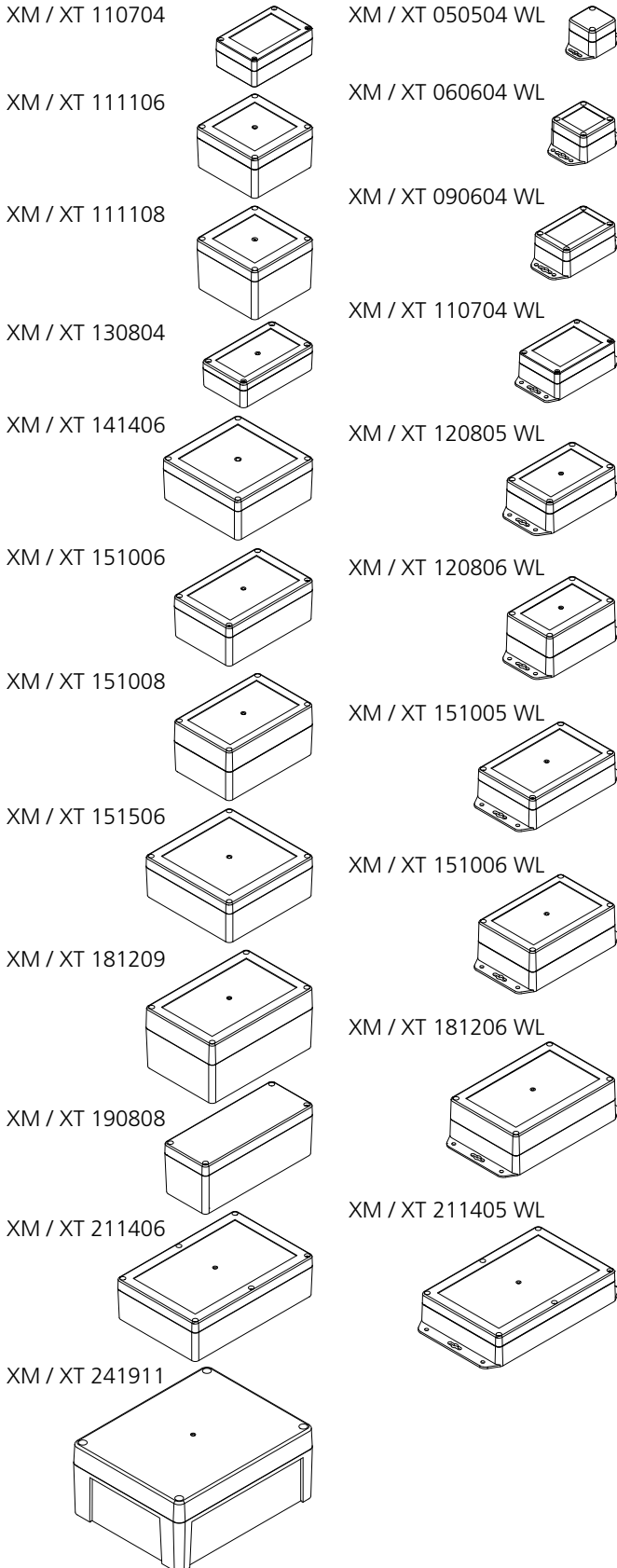
Gehäuse: ABS (XT) oder PC (XM)

Dichtung: CR bei ABS; PU bei PC

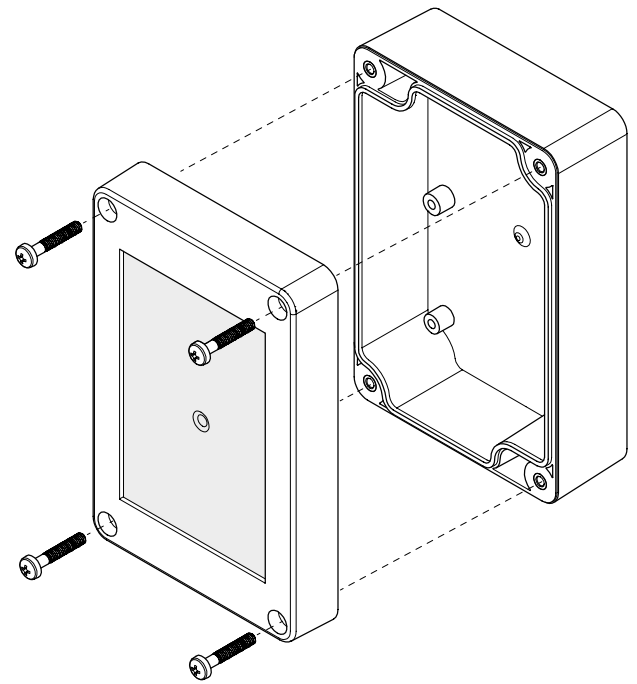
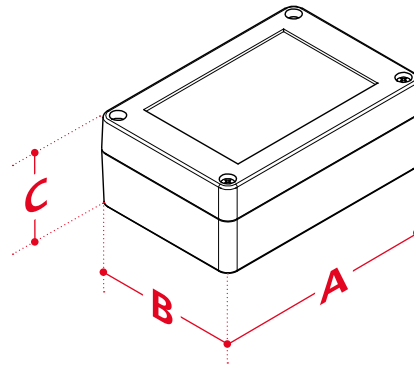
Details siehe „Technische Informationen“.



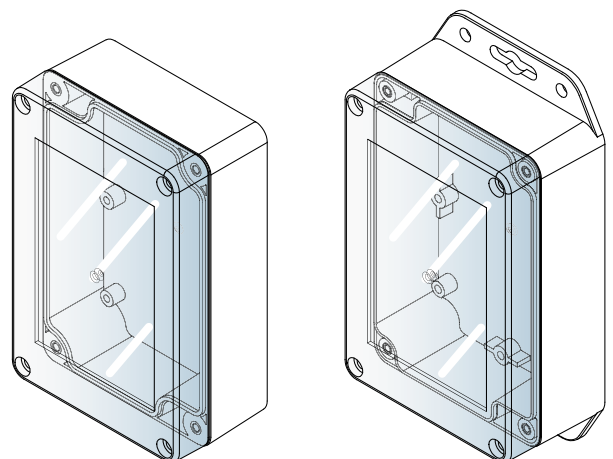
Gehäuseformen



Bauvarianten



Glasklarer Deckel (G)

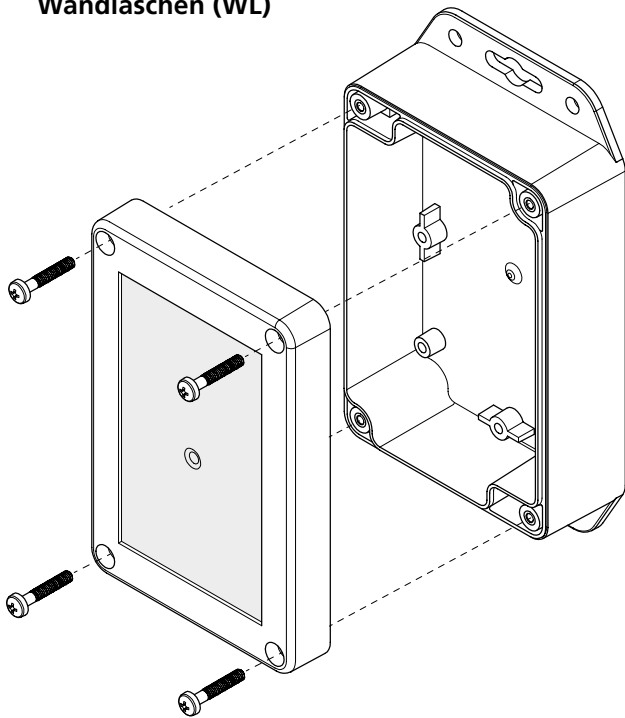


**BOPLA**

A Phoenix Mecano Company

Euromas X

Gehäuse mit angespritzten
Wandlaschen (WL)



Abmessungen

| Modell | A | B | C |
|--------------------|-------|-------|-------|
| XM (G) / XT 110704 | 105 | 70 | 40 |
| XM (G) / XT 111106 | 105 | 105 | 60.1 |
| XM (G) / XT 111108 | 104.8 | 104.8 | 74.7 |
| XM (G) / XT 130804 | 125 | 75 | 37.2 |
| XM (G) / XT 141406 | 134.7 | 134.7 | 60.1 |
| XM (G) / XT 151006 | 150 | 100 | 60 |
| XM (G) / XT 151008 | 150 | 100 | 75 |
| XM (G) / XT 151506 | 149.9 | 149.9 | 60 |
| XM (G) / XT 181209 | 180 | 120 | 90.3 |
| XM (G) / XT 190808 | 191.8 | 75.1 | 75.3 |
| XM (G) / XT 211406 | 209.7 | 139.8 | 60 |
| XM (G) / XT 241911 | 240 | 191.3 | 105.6 |

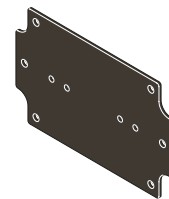
Mit Wandlaschen

| | | | |
|-----------------------|-------|-------|------|
| XM (G) / XT 050504 WL | 44.8 | 44.8 | 40.1 |
| XM (G) / XT 060604 WL | 60 | 60 | 40.1 |
| XM (G) / XT 090604 WL | 90 | 60 | 39.9 |
| XM (G) / XT 110704 WL | 105 | 70 | 40 |
| XM (G) / XT 120805 WL | 120 | 80 | 45.2 |
| XM (G) / XT 120806 WL | 120 | 80 | 60.2 |
| XM (G) / XT 151005 WL | 150 | 100 | 45 |
| XM (G) / XT 151006 WL | 150 | 100 | 60 |
| XM (G) / XT 181206 WL | 179.9 | 119.9 | 60.2 |
| XM (G) / XT 211405 WL | 209.7 | 139.8 | 45.1 |

Zubehör



Tragschienen
TH 15, TH 35



Montageplatten in
diversen Ausführungen



Mastbefestigung

Euromas X

ABS, einfarbig

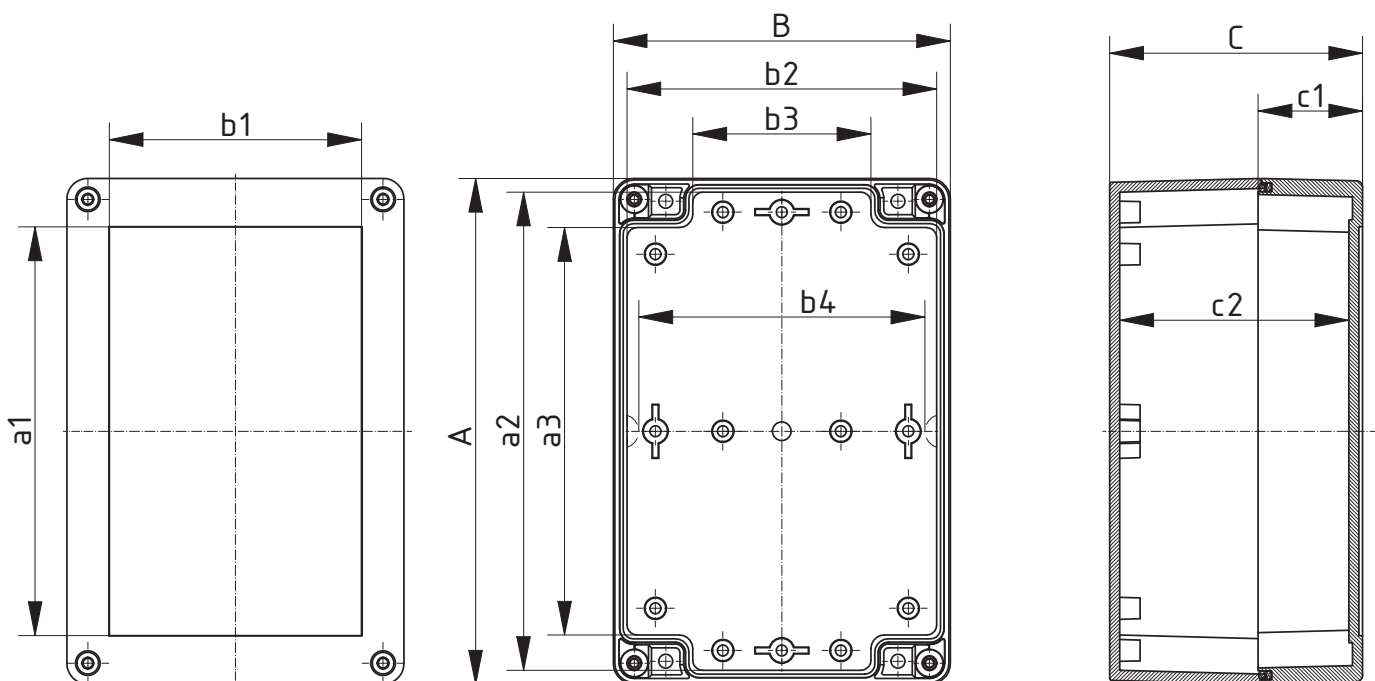


Gehäuse, ABS

| Model | Order no. | A | B | C | a1 | a2 | a3 | b1 | b2 | b3 | c1 | c2 | IP | IK |
|----------------|-----------|-------|-------|-------|-------|-------|-------|-------|-------|-------|------|------|----|----|
| XT 110704 7035 | 07511074 | 105 | 70 | 40 | 74 | 49.6 | 78.9 | 49.6 | 62.6 | 34.9 | 15 | 32.9 | 66 | 07 |
| XT 111106 7035 | 07511116 | 105 | 105 | 60.1 | 74.5 | 96.8 | 75.8 | 74.5 | 96.8 | 57.8 | 15 | 53 | 66 | 07 |
| XT 111108 7035 | 07511118 | 104.8 | 104.8 | 74.7 | 74.5 | 95.4 | 74.6 | 74.5 | 95.4 | 56.7 | 15 | 67.6 | 66 | 07 |
| XT 130804 7035 | 07513084 | 125 | 75 | 37.2 | 97.2 | 117.8 | 97.8 | 51.2 | 67.8 | 38.8 | 10 | 30 | 66 | 07 |
| XT 141406 7035 | 07514146 | 134.7 | 134.7 | 60.1 | 104.5 | 126.5 | 105.6 | 104.5 | 126.5 | 87.6 | 15 | 53 | 66 | 07 |
| XT 151006 7035 | 07515106 | 150 | 100 | 60 | 121.7 | 141.8 | 120.8 | 75.3 | 91.8 | 52.8 | 15 | 52.9 | 66 | 07 |
| XT 151008 7035 | 07515108 | 150 | 100 | 75 | 121.2 | 141.8 | 120.8 | 74.8 | 91.8 | 52.8 | 30 | 67.9 | 66 | 07 |
| XT 151506 7035 | 07515156 | 149.9 | 149.9 | 60 | 119.2 | 141.7 | 120.7 | 119.2 | 141.7 | 102.7 | 15 | 52.9 | 66 | 07 |
| XT 181209 7035 | 07518129 | 180 | 120 | 90.3 | 149 | 171 | 150 | 88.7 | 111 | 72 | 30.1 | 83.2 | 66 | 07 |
| XT 190808 7035 | 07519088 | 191.8 | 75.1 | 75.3 | - | 182.8 | 162.6 | - | 66.1 | 27.9 | 15.1 | 69.3 | 66 | 07 |
| XT 211406 7035 | 07521146 | 209.7 | 139.8 | 60 | 179 | 201.5 | 180.6 | 109 | 131.6 | 92.6 | 15.1 | 52.9 | 66 | 07 |
| XT 241911 7035 | 07524191 | 240 | 191.3 | 105.6 | - | 225.6 | 189.3 | - | 176.9 | 114.6 | 29.6 | 98.4 | 66 | 07 |

Scope Of Delivery:

Ober- und Unterteil, 4 Schrauben (XM / XT 2214.. = 6 Schrauben)



Z-2504703

Euromas X

PC, einfarbig

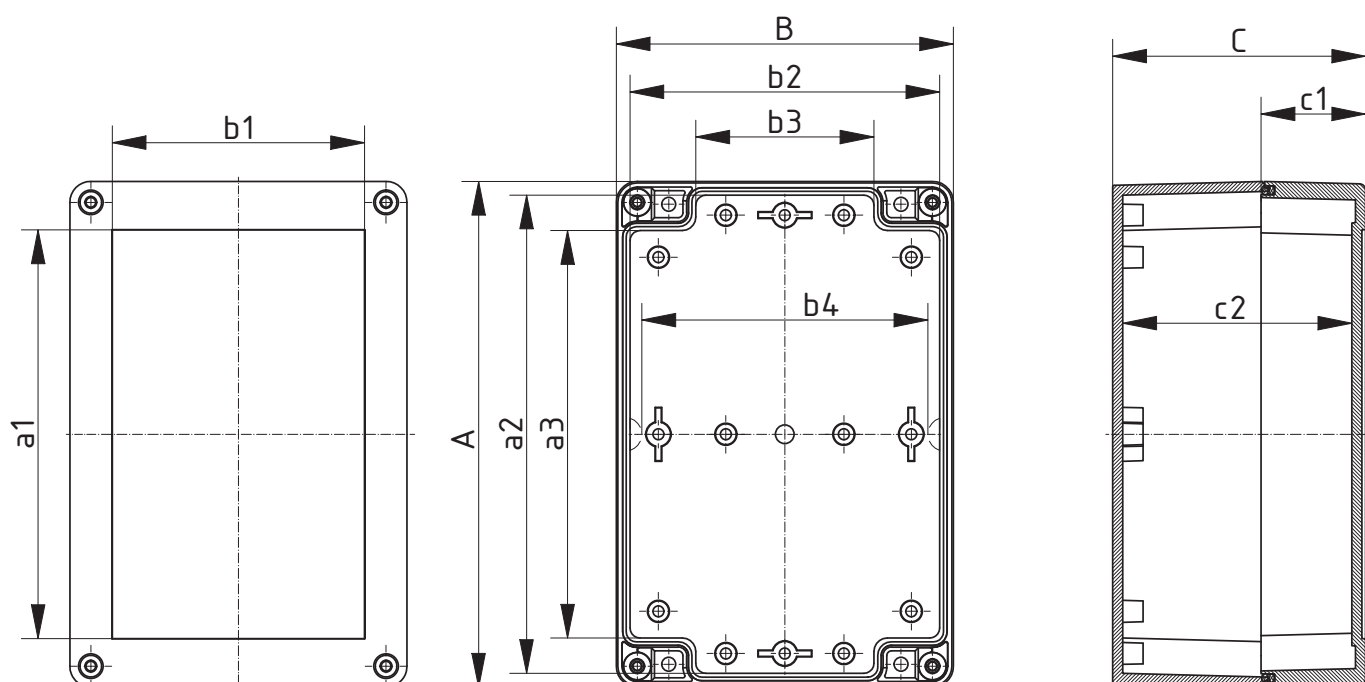


Gehäuse, Polycarbonat

| Model | Order no. | A | B | C | a1 | a2 | a3 | b1 | b2 | b3 | c1 | c2 | IP | IK |
|----------------|-----------|-------|-------|-------|-------|-------|-------|-------|-------|-------|------|------|----|----|
| XM 110704 7035 | 07311074 | 105 | 70 | 40 | 74 | 97.6 | 78.9 | 49.6 | 62.6 | 34.9 | 15 | 32.9 | 66 | 07 |
| XM 111106 7035 | 07311116 | 105 | 105 | 60.1 | 74.5 | 96.8 | 75.8 | 74.5 | 96.8 | 57.8 | 15 | 53 | 66 | 07 |
| XM 111108 7035 | 07311118 | 104.8 | 104.8 | 74.7 | 74.5 | 95.4 | 74.6 | 74.5 | 95.4 | 56.7 | 15 | 67.6 | 66 | 07 |
| XM 130804 7035 | 07313084 | 125 | 75 | 37.2 | 97.2 | 117.8 | 97.8 | 51.2 | 67.8 | 38.8 | 10 | 30 | 66 | 07 |
| XM 141406 7035 | 07314146 | 134.7 | 134.7 | 60.1 | 104.5 | 126.5 | 105.6 | 104.5 | 126.5 | 87.6 | 15 | 53 | 66 | 07 |
| XM 151006 7035 | 07315106 | 150 | 100 | 60 | 121.7 | 141.8 | 120.8 | 75.3 | 91.8 | 52.8 | 15 | 52.9 | 66 | 07 |
| XM 151008 7035 | 07315108 | 150 | 100 | 75 | 121.2 | 141.8 | 120.8 | 74.8 | 91.8 | 52.8 | 30 | 67.9 | 66 | 07 |
| XM 151506 7035 | 07315156 | 149.9 | 149.9 | 60 | 119.2 | 141.7 | 120.7 | - | 141.7 | 102.7 | 15 | 52.9 | 66 | 07 |
| XM 181209 7035 | 07318129 | 180 | 120 | 90.3 | 149 | 171 | 150 | 88.7 | 111 | 72 | 30.1 | 83.2 | 66 | 07 |
| XM 190808 7035 | 07319088 | 191.8 | 75.1 | 75.3 | - | 182.8 | 162.6 | - | 66.1 | 27.9 | 15.1 | 69.3 | 66 | 07 |
| XM 211406 7035 | 07321146 | 209.7 | 139.8 | 60 | 179 | 201.5 | 180.6 | 109 | 131.6 | 92.6 | 15.1 | 52.9 | 66 | 07 |
| XM 241911 7035 | 07324191 | 240 | 191.3 | 105.6 | - | 225.6 | 189.3 | - | 176.9 | 114.6 | 29.6 | 98.4 | 66 | 07 |

Scope Of Delivery:

Ober- und Unterteil, 4 Schrauben (XM / XT 2214.. = 6 Schrauben)



Z-2504703

Euromas X

PC, glasklarer Deckel

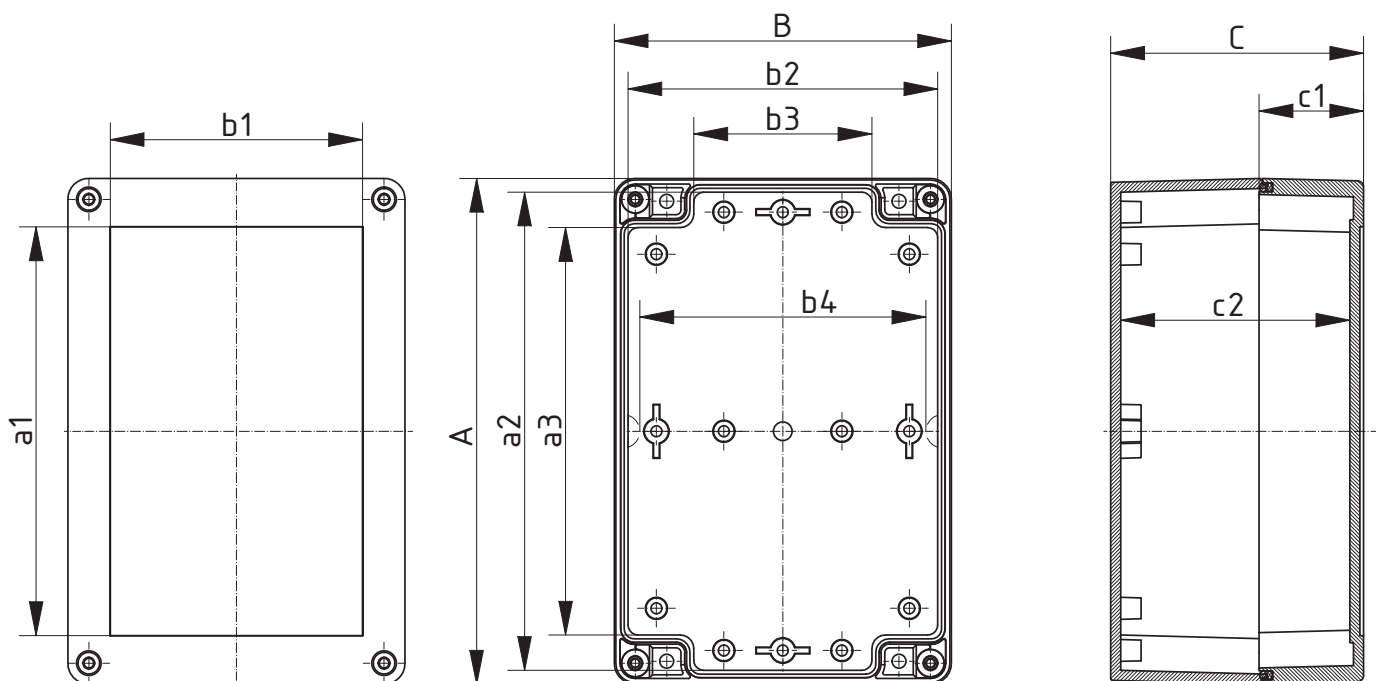


Gehäuse, Polycarbonat, glasklarer Deckel

| Model | Order no. | A | B | C | a1 | a2 | a3 | b1 | b2 | b3 | c1 | c2 | IP | IK |
|------------------|-----------|-------|-------|-------|-------|-------|-------|-------|-------|-------|------|------|----|----|
| XM 110704 G 7035 | 07411074 | 105 | 70 | 40 | 74 | 97.6 | 78.9 | 49.6 | 62.6 | 34.9 | 15 | 32.9 | 66 | 07 |
| XM 111106 G 7035 | 07411116 | 105 | 105 | 60.1 | 74.5 | 96.8 | 75.8 | 74.5 | 96.8 | 57.8 | 15 | 53 | 66 | 07 |
| XM 111108 G 7035 | 07411118 | 104.8 | 104.8 | 74.7 | 74.5 | 95.4 | 74.6 | 74.5 | 95.4 | 56.7 | 15 | 67.6 | 66 | 07 |
| XM 130804 G 7035 | 07413084 | 125 | 75 | 37.2 | 97.2 | 117.8 | 97.8 | 51.2 | 67.8 | 38.8 | 10 | 30 | 66 | 07 |
| XM 141406 G 7035 | 07414146 | 134.7 | 134.7 | 60.1 | 104.5 | 126.5 | 105.6 | 104.5 | 126.5 | 87.6 | 15 | 53 | 66 | 07 |
| XM 151006 G 7035 | 07415106 | 150 | 100 | 60 | 121.7 | 141.8 | 120.8 | 75.3 | 91.8 | 52.8 | 15 | 52.9 | 66 | 07 |
| XM 151008 G 7035 | 07415108 | 150 | 100 | 75 | 121.2 | 141.8 | 120.8 | 74.8 | 91.8 | 52.8 | 30 | 67.9 | 66 | 07 |
| XM 151506 G 7035 | 07415156 | 149.9 | 149.9 | 60 | 119.2 | 141.7 | 120.7 | 119.2 | 141.7 | 102.7 | 15 | 52.9 | 66 | 07 |
| XM 181209 G 7035 | 07418129 | 180 | 120 | 90.3 | 149 | 171 | 150 | 88.7 | 111 | 72 | 30.1 | 83.2 | 66 | 07 |
| XM 190808 G 7035 | 07419088 | 191.8 | 75.1 | 75.3 | - | 182.8 | 162.6 | - | 66.1 | 27.9 | 15.1 | 69.3 | 66 | 07 |
| XM 211406 G 7035 | 07421146 | 209.7 | 139.8 | 60 | 179 | 201.5 | 180.6 | 109 | 131.6 | 92.6 | 15.1 | 52.9 | 66 | 07 |
| XM 241911 G 7035 | 07424191 | 240 | 191.3 | 105.6 | - | 225.6 | 189.3 | - | 176.9 | 114.6 | 29.6 | 98.4 | 66 | 07 |

Scope Of Delivery:

Ober- und Unterteil, 4 Schrauben (XM / XT 2214.. = 6 Schrauben)



Z-2504703

Euromas X

ABS, einfarbig, mit Wandlaschen

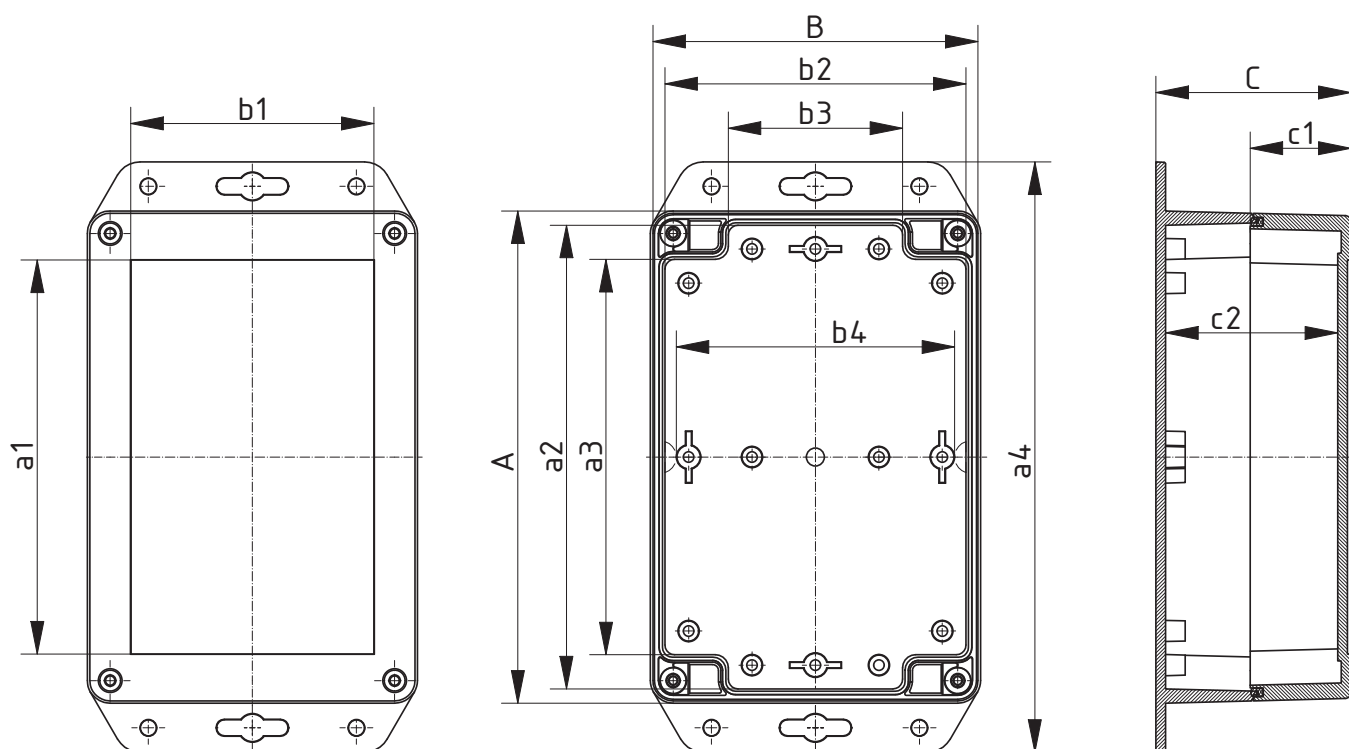


Gehäuse, ABS, mit Wandlaschen

| Model | Order no. | A | B | C | a1 | a2 | a3 | a4 | b1 | b2 | b3 | b4 | c1 | c2 | IP | IK |
|-------------------|-----------|-------|-------|------|-------|-------|-------|-------|------|-------|------|-------|------|------|----|----|
| XT 050504 WL 7035 | 07805054 | 44.8 | 44.8 | 40.1 | - | 38.6 | 29.1 | 72.9 | - | 38.6 | 29.1 | - | 15.2 | 34.3 | 66 | 07 |
| XT 060604 WL 7035 | 07806064 | 60 | 60 | 40.1 | 38.8 | 52.9 | 33.6 | 91.3 | 38.8 | 52.9 | 33.6 | - | 15 | 33 | 66 | 07 |
| XT 090604 WL 7035 | 07809064 | 90 | 60 | 39.9 | 68.9 | 82.9 | 63.6 | 121.3 | 38.9 | 52.9 | 33.6 | - | 15 | 32.8 | 66 | 07 |
| XT 110704 WL 7035 | 07811074 | 105 | 70 | 40 | 74 | 97.6 | 78.9 | 131.3 | 49.6 | 62.6 | 34.9 | - | 15 | 32.9 | 66 | 07 |
| XT 120805 WL 7035 | 07812085 | 120 | 80 | 45.2 | 92 | 112.6 | 92.2 | 151.5 | 56 | 72.6 | 43.6 | - | 15.1 | 38 | 66 | 07 |
| XT 120806 WL 7035 | 07812086 | 120 | 80 | 60.2 | 91.6 | 112.6 | 92.6 | 151.5 | 51.6 | 72.6 | 43.6 | - | 30.1 | 53 | 66 | 07 |
| XT 151005 WL 7035 | 07815105 | 150 | 100 | 45 | 121.7 | 142.6 | 121.6 | 181.5 | 75.3 | 92.6 | 53.6 | - | 15 | 37.9 | 66 | 07 |
| XT 151006 WL 7035 | 07815106 | 150 | 100 | 60 | 121.2 | 142.6 | 121.6 | 181.5 | 74.8 | 92.6 | 53.6 | - | 30 | 52.9 | 66 | 07 |
| XT 181206 WL 7035 | 07818126 | 179.9 | 119.9 | 60.2 | 149 | 172.5 | 151.5 | 211.4 | 88.8 | 112.5 | 73.6 | - | 30.1 | 53.1 | 66 | 07 |
| XT 211405 WL 7035 | 07821145 | 209.7 | 139.8 | 45.1 | 179 | 203.3 | 181.3 | 243.2 | 109 | 132.4 | 93.4 | 112.5 | 15.1 | 37.9 | 66 | 07 |

Scope Of Delivery:

Ober- und Unterteil, 4 Schrauben (XM / XT 2214.. = 6 Schrauben)



Z-2504704

Euromas X

PC, einfarbig, mit Wandlaschen

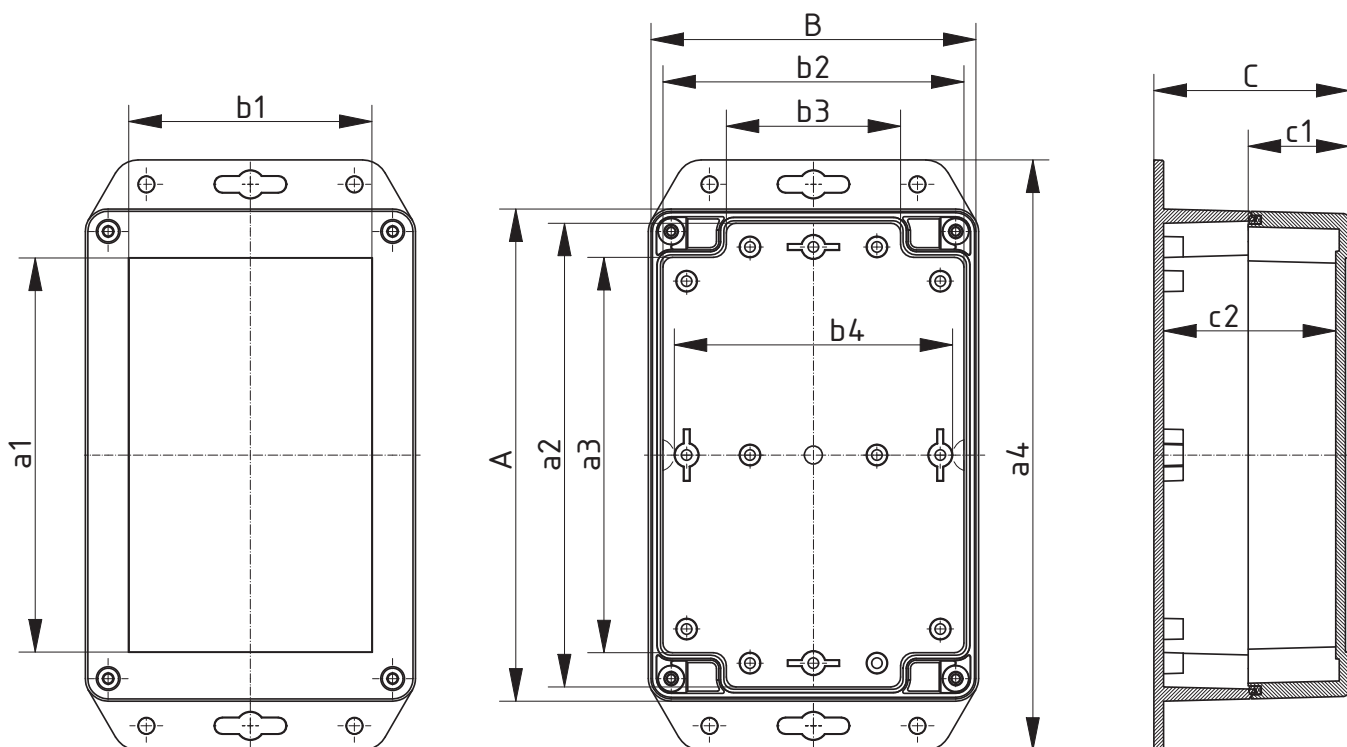


Gehäuse, Polycarbonat, mit Wandlaschen

| Model | Order no. | A | B | C | a1 | a2 | a3 | a4 | b1 | b2 | b3 | b4 | c1 | c2 | IP | IK |
|-------------------|-----------|-------|-------|------|-------|-------|-------|-------|------|-------|------|-------|------|------|----|----|
| XM 050504 WL 7035 | 07605054 | 44.8 | 44.8 | 40.1 | - | 38.6 | 29.1 | 72.9 | - | 38.6 | 29.1 | - | 15.2 | 34.3 | 66 | 07 |
| XM 060604 WL 7035 | 07606064 | 60 | 60 | 40.1 | 38.8 | 52.9 | 33.6 | 91.3 | 38.8 | 52.9 | 33.6 | - | 15 | 33 | 66 | 07 |
| XM 090604 WL 7035 | 07609064 | 90 | 60 | 39.9 | 68.9 | 82.9 | 63.6 | 121.3 | 38.9 | 52.9 | 33.6 | - | 15 | 32.8 | 66 | 07 |
| XM 110704 WL 7035 | 07611074 | 105 | 70 | 40 | 74 | 97.6 | 78.9 | 131.3 | 49.6 | 62.6 | 34.9 | - | 15 | 32.9 | 66 | 07 |
| XM 120805 WL 7035 | 07612085 | 120 | 80 | 45.2 | 92 | 112.6 | 92.2 | 151.5 | 56 | 72.6 | 43.6 | - | 15.1 | 38 | 66 | 07 |
| XM 120806 WL 7035 | 07612086 | 120 | 80 | 60.2 | 91.6 | 112.6 | 92.6 | 151.5 | 51.6 | 72.6 | 43.6 | - | 30.1 | 53 | 66 | 07 |
| XM 151005 WL 7035 | 07615105 | 150 | 100 | 45 | 121.7 | 142.6 | 121.6 | 181.5 | 75.3 | 92.6 | 53.6 | - | 15 | 37.9 | 66 | 07 |
| XM 151006 WL 7035 | 07615106 | 150 | 100 | 60 | 121.2 | 142.6 | 121.6 | 181.5 | 74.8 | 92.6 | 53.6 | - | 30 | 52.9 | 66 | 07 |
| XM 181206 WL 7035 | 07618126 | 179.9 | 119.9 | 60.2 | 149 | 172.5 | 151.5 | 211.4 | 88.8 | 112.5 | 73.6 | - | 30.1 | 53.1 | 66 | 07 |
| XM 211405 WL 7035 | 07621145 | 209.7 | 139.8 | 45.1 | 179 | 203.3 | 181.3 | 243.2 | 109 | 132.4 | 93.4 | 112.5 | 15.1 | 37.9 | 66 | 07 |

Scope Of Delivery:

Ober- und Unterteil, 4 Schrauben (XM / XT 2214.. = 6 Schrauben)



Z-2504704

Euromas X

PC, glasklarer Deckel, mit Wandlaschen

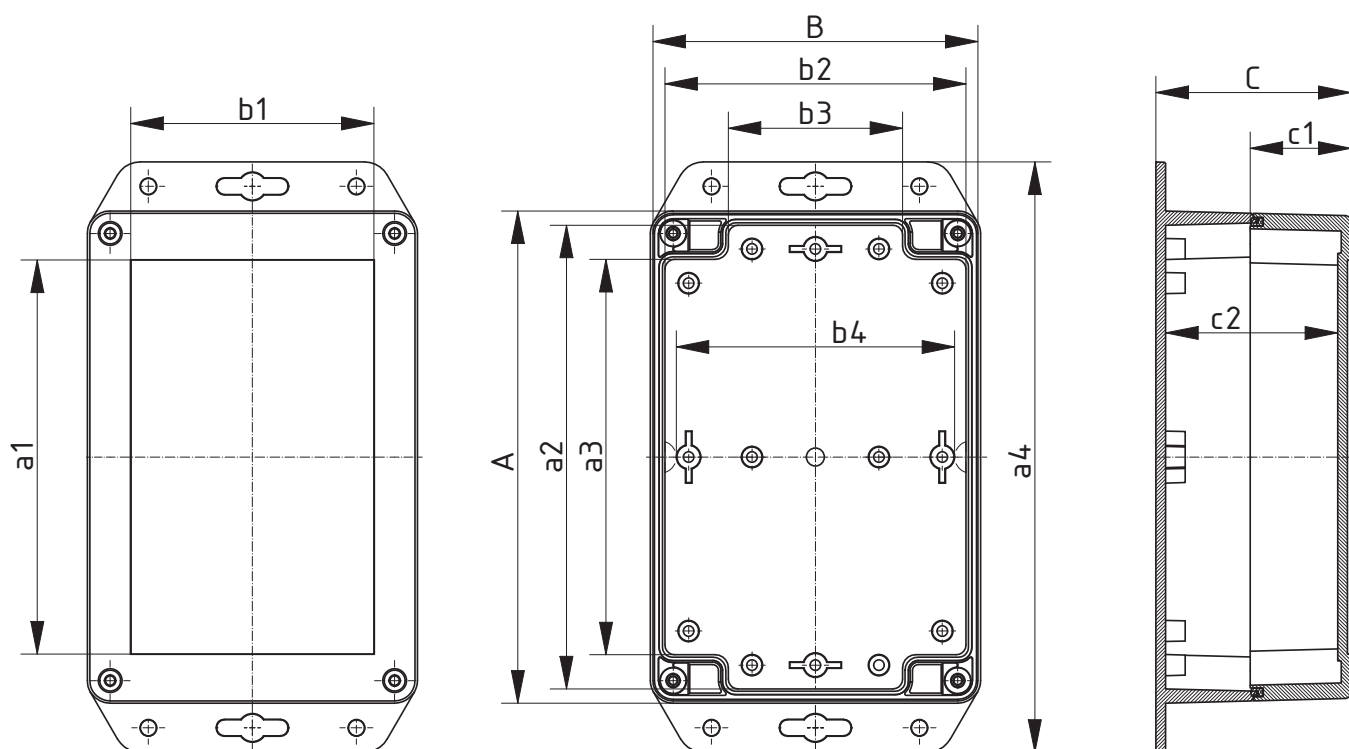


Gehäuse, Polycarbonat, glasklarer Deckel, mit Wandlaschen

| Model | Order no. | A | B | C | a1 | a2 | a3 | a4 | b1 | b2 | b3 | b4 | c1 | c2 | IP | IK |
|---------------------|-----------|-------|-------|------|-------|-------|-------|-------|------|-------|------|-------|------|------|----|----|
| XM 050504 G WL 7035 | 07705054 | 44.8 | 44.8 | 40.1 | - | 38.6 | 29.1 | 72.9 | - | 38.6 | 29.1 | - | 15.2 | 34.3 | 66 | 07 |
| XM 060604 G WL 7035 | 07706064 | 60 | 60 | 40.1 | 38.8 | 52.9 | 33.6 | 91.3 | 38.8 | 52.9 | 33.6 | - | 15 | 33 | 66 | 07 |
| XM 090604 G WL 7035 | 07709064 | 90 | 60 | 39.9 | 68.9 | 82.9 | 63.6 | 121.3 | 38.9 | 52.9 | 33.6 | - | 15 | 32.8 | 66 | 07 |
| XM 110704 G WL 7035 | 07711074 | 105 | 70 | 40 | 74 | 97.6 | 78.9 | 131.3 | 49.6 | 62.6 | 34.9 | - | 15 | 32.9 | 66 | 07 |
| XM 120805 G WL 7035 | 07712085 | 120 | 80 | 45.2 | 92 | 112.6 | 92.2 | 151.5 | 56 | 72.6 | 43.6 | - | 15.1 | 38 | 66 | 07 |
| XM 120806 G WL 7035 | 07712086 | 120 | 80 | 60.2 | 91.6 | 112.6 | 92.6 | 151.5 | 51.6 | 72.6 | 43.6 | - | 30.1 | 53 | 66 | 07 |
| XM 151005 G WL 7035 | 07715105 | 150 | 100 | 45 | 121.7 | 142.6 | 121.6 | 181.5 | 75.3 | 92.6 | 53.6 | - | 15 | 37.9 | 66 | 07 |
| XM 151006 G WL 7035 | 07715106 | 150 | 100 | 60 | 121.2 | 142.6 | 121.6 | 181.5 | 74.8 | 92.6 | 53.6 | - | 30 | 52.9 | 66 | 07 |
| XM 181206 G WL 7035 | 07718126 | 179.9 | 119.9 | 60.2 | 149 | 172.5 | 151.5 | 211.4 | 88.8 | 112.5 | 73.6 | - | 30.1 | 53.1 | 66 | 07 |
| XM 211405 G WL 7035 | 07721145 | 209.7 | 139.8 | 45.1 | 179 | 203.3 | 181.3 | 243.2 | 109 | 132.4 | 93.4 | 112.5 | 15.1 | 37.9 | 66 | 07 |

Scope Of Delivery:

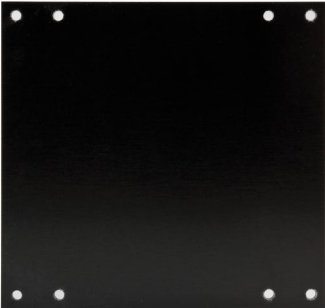
Ober- und Unterteil, 4 Schrauben (XM / XT 2214.. = 6 Schrauben)



Z-2504704

Euromas X

Montageplatten



Montageplatten, Hartpapier

| Model | Order no. |
|---------------------|-----------|
| XM/XT 0505..WL M | 07905050 |
| XM/XT 0606..WL M | 07906060 |
| XM/XT 0906..WL M | 07909060 |
| XM/XT 1107..(WL) M | 07911070 |
| XM/XT 1111.. M | 07911110 |
| XM/XT 1208..WL M | 07912080 |
| XM/XT 1308.. M | 07913080 |
| XM/XT 1414.. M | 07914140 |
| XM/XT 151006 (WL) M | 07915100 |
| XM/XT 151006 (WL) M | 07915101 |
| XM/XT 1515.. M | 07915150 |
| XM/XT 1812..(WL) M | 07918120 |
| XM/XT 1908.. M | 07919080 |
| XM/XT 2114..(WL) M | 07921140 |
| XM/XT 2419.. M | 07924190 |

Scope Of Delivery:
1 Montageplatte

Euromas X

Zubehör

Tragschienen DIN EN 60715 TH 15, Stahl verzinkt

| Model | Order no. | C | Note |
|-------------|-----------|-----|--------------------------|
| TS 15.050.2 | 22150502 | 50 | |
| TS 15.060.1 | 22150601 | 60 | |
| TS 15.070.2 | 22150702 | 70 | Für BA 1008.. |
| TS 15.090.2 | 22150902 | 90 | |
| TS 15.110.2 | 22151102 | 110 | Für BA 1408.., BA 1413.. |
| TS 15.120.2 | 22151202 | 120 | |
| TS 15.135.2 | 22151352 | 135 | |
| TS 15.140.2 | 22151402 | 140 | |
| TS 15.165.2 | 22151652 | 165 | |
| TS 15.200.2 | 22152002 | 200 | |
| TS 15.220.2 | 22152202 | 220 | |

Scope Of Delivery:

1 Tragschiene

Notes: Befestigungsschrauben im Allgemeinen Zubehör. C = Länge der Tragschiene in mm. Passende Klemmen und Klemmenmontage auf Anfrage.



Tragschienen DIN EN 60715 TH 35, Stahl verzinkt

| Model | Order no. | C | Note |
|-------------|-----------|-----|--------------------------|
| TS 35.060.2 | 22350602 | 60 | |
| TS 35.070.2 | 22350702 | 70 | Für BA 1008.. |
| TS 35.090.2 | 22350902 | 90 | |
| TS 35.110.2 | 22351102 | 110 | Für BA 1408.., BA 1413.. |
| TS 35.120.2 | 22351202 | 120 | |
| TS 35.135.2 | 22351352 | 135 | |
| TS 35.140.2 | 22351402 | 140 | |
| TS 35.165.2 | 22351652 | 165 | |
| TS 35.200.2 | 22352002 | 200 | |
| TS 35.220.2 | 22352202 | 220 | |

Scope Of Delivery:

1 Tragschiene

