

The product advantages



Polyester Euromas industrial enclosures are resistant to a large number of chemicals. This means that they are ideal for use in harsh outdoor environments.



When fitted with an optional silicone lid seal, the enclosure provides temperature resistance of up to 150°C.



Polyester has a much higher level of mechanical stability than ABS or PC, but is considerably lighter than aluminium and has insulating properties.



The enclosure can be fitted to the wall by means of the screw channels in the base or with wall brackets.



The enclosure screws are made of non-rusting stainless steel.



Quick-Finder:
www.bopla.de/04

Examples of use





BOPLA

A Phoenix Mecano Company

Euromas Polyester



Colour:

● Squirrel grey, similar to RAL 7000

Special colours on request

Protection class:

IP66 / DIN EN 60529; higher protection class on request

Material:

Enclosure: UP-GF 25-30%

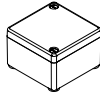
Seal: PU foamed

For details see technical information.

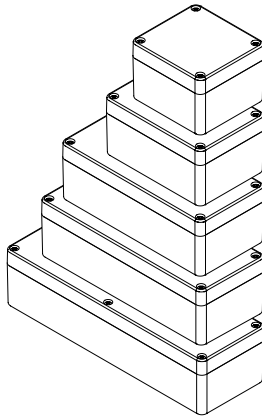


Enclosure sizes

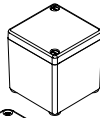
P 303



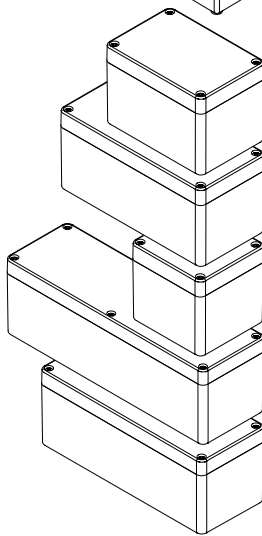
P 305
P 311
P 316
P 319
P 322



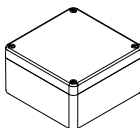
P 323



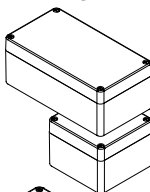
P 324
P 325
P 326
P 327
P 329



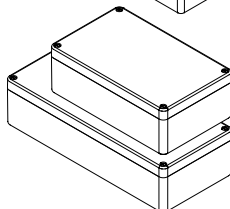
P 330



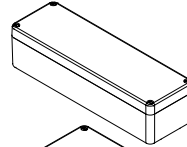
P 331
P 332



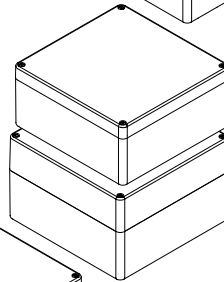
P 333
P 334



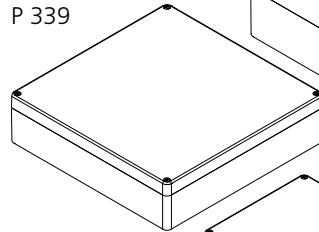
P 336



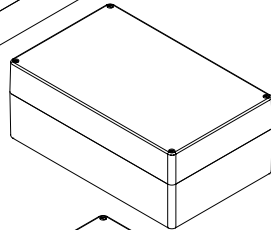
P 337
P 338



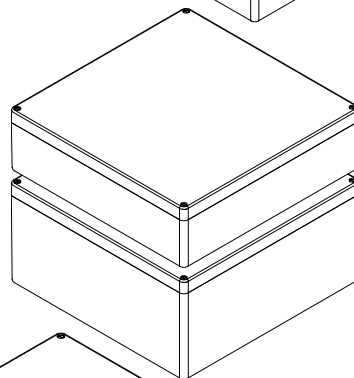
P 339



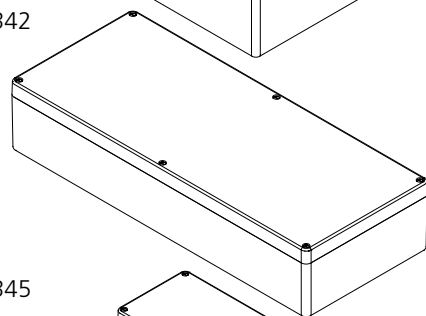
P 340



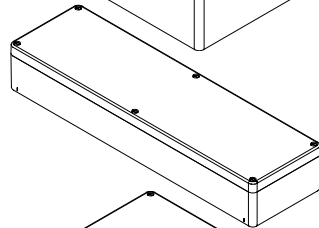
P 341
P 3412



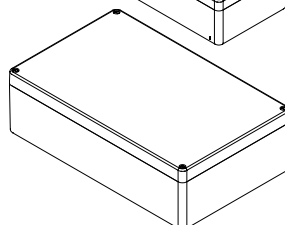
P 342



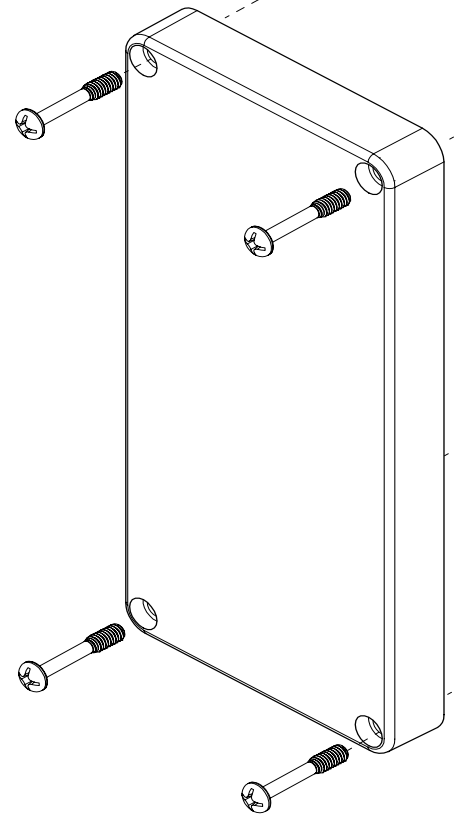
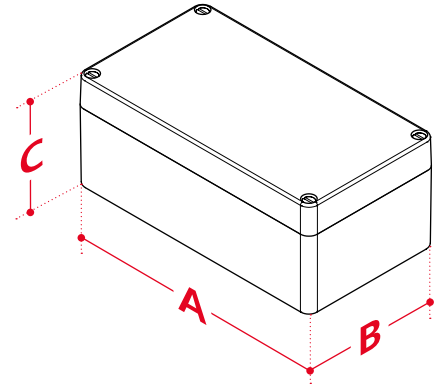
P 345



P 355



Design types

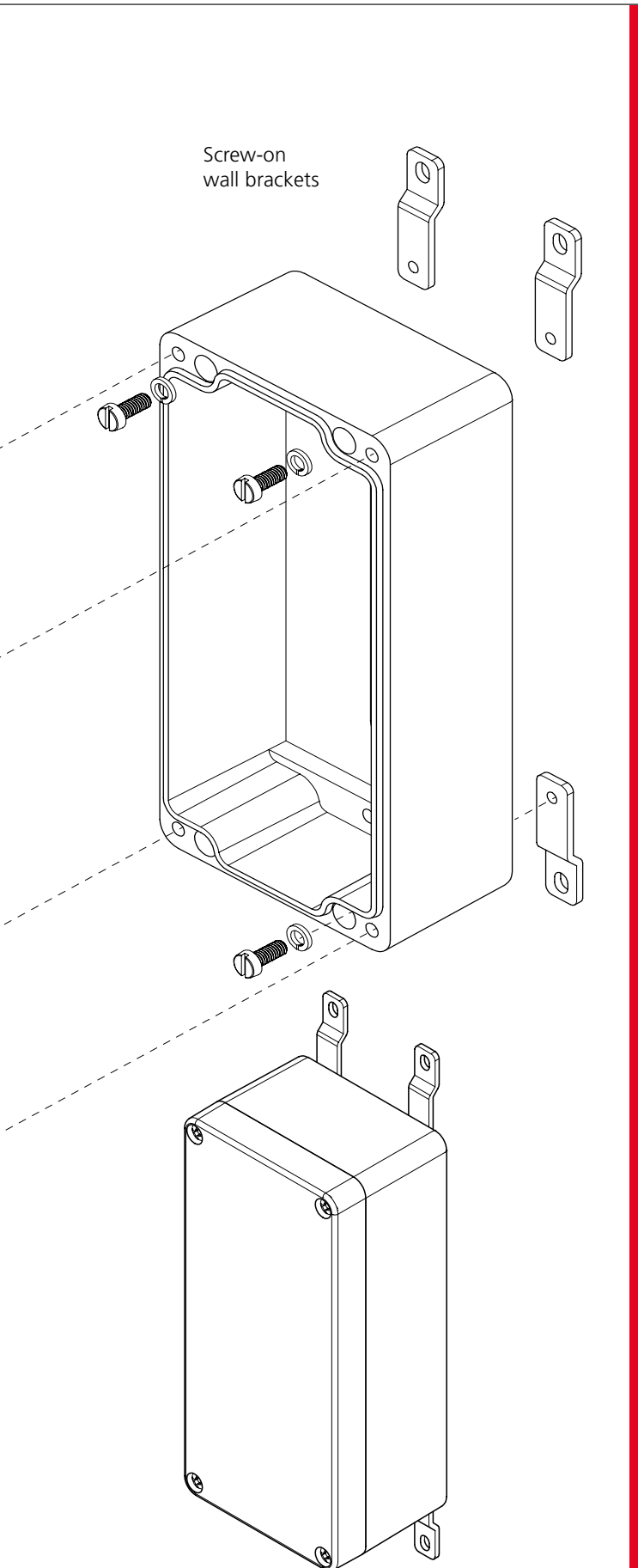




BOPLA

A Phoenix Mecano Company

Euromas Polyester



Dimensions

| Model | A | B | C | SIL* |
|--------|-----|-----|------|------|
| P 303 | 55 | 55 | 37.5 | |
| P 305 | 80 | 75 | 56.5 | ✓ |
| P 311 | 110 | 75 | 56.5 | ✓ |
| P 316 | 160 | 75 | 56.5 | ✓ |
| P 319 | 190 | 75 | 56.5 | ✓ |
| P 322 | 230 | 75 | 56.5 | ✓ |
| P 323 | 55 | 55 | 59 | ✓ |
| P 324 | 110 | 75 | 75.5 | ✓ |
| P 325 | 160 | 75 | 75.5 | ✓ |
| P 326 | 80 | 75 | 75.5 | ✓ |
| P 327 | 230 | 75 | 75.5 | ✓ |
| P 329 | 190 | 75 | 75.5 | ✓ |
| P 330 | 160 | 160 | 91 | ✓ |
| P 331 | 220 | 120 | 91 | ✓ |
| P 332 | 122 | 120 | 91 | ✓ |
| P 333 | 260 | 160 | 91 | ✓ |
| P 334 | 360 | 160 | 91 | ✓ |
| P 336 | 320 | 100 | 81 | ✓ |
| P 337 | 255 | 250 | 121 | ✓ |
| P 338 | 255 | 250 | 161 | ✓ |
| P 339 | 360 | 360 | 90.8 | ✓ |
| P 340 | 400 | 250 | 161 | ✓ |
| P 341 | 400 | 405 | 121 | ✓ |
| P 3412 | 400 | 405 | 201 | ✓ |
| P 342 | 600 | 250 | 121 | ✓ |
| P 345 | 560 | 160 | 91 | ✓ |
| P 355 | 400 | 250 | 121 | ✓ |

*SIL = with silicone lid seal

Accessories

- Sealed capstan-headed screws
- Earthing bar with terminal clamp
- Wall brackets screw-on at rear
- Set of hinges
- DIN rails TH 15, G 32, TH 35
- Mast mounting
- Mounting panels in different versions

Euromas Polyester

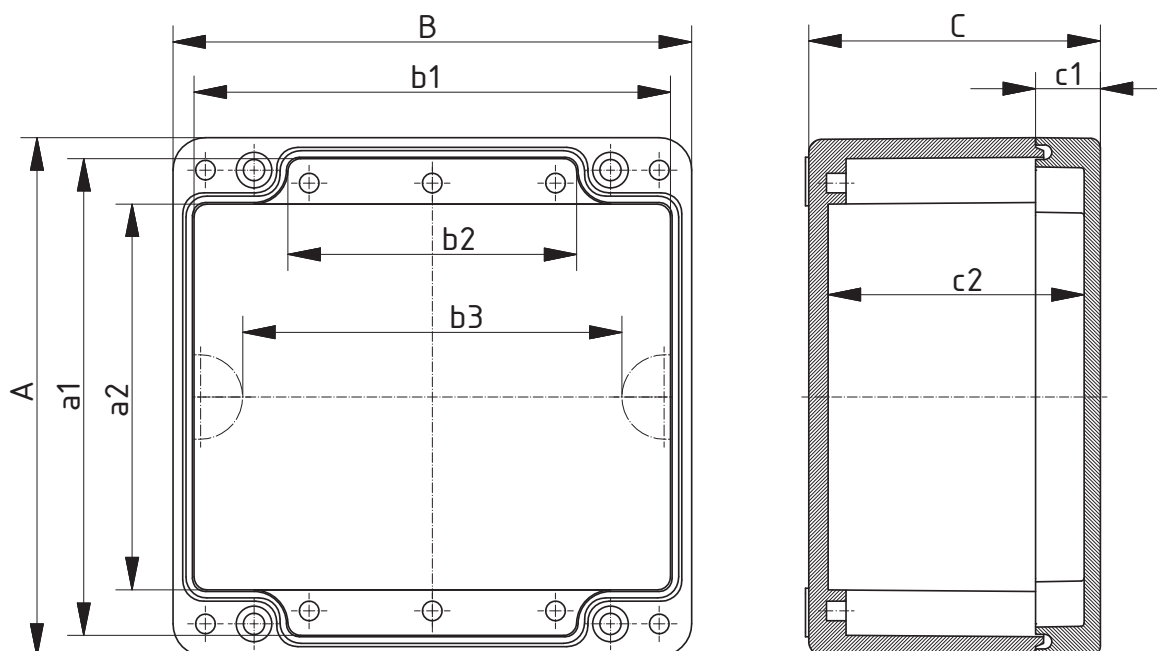
Enclosure



Enclosure, polyester

| Model | Order no. | A | B | C | a1 | a2 | b1 | b2 | b3 | c1 | c2 |
|--------|-----------|-----|-----|------|------|------|------|------|------|----|-----|
| P 303 | 04303000 | 55 | 55 | 37.5 | 45.5 | 33.5 | 45.5 | 33.5 | - | 8 | 26 |
| P 305 | 04305000 | 80 | 75 | 56.5 | 70 | 49 | 65 | 32 | - | 15 | 46 |
| P 311 | 04311000 | 110 | 75 | 56.5 | 100 | 79 | 65 | 32 | - | 15 | 46 |
| P 316 | 04316000 | 160 | 75 | 56.5 | 150 | 129 | 65 | 32 | - | 15 | 46 |
| P 319 | 04319000 | 190 | 75 | 56.5 | 180 | 159 | 65 | 32 | - | 15 | 46 |
| P 322 | 04322000 | 230 | 75 | 56.5 | 220 | 199 | 65 | 32 | 50.6 | 15 | 46 |
| P 323 | 04323000 | 55 | 55 | 59 | 44.5 | 33.5 | 44.5 | 32.5 | - | 8 | 48 |
| P 324 | 04324000 | 110 | 75 | 75.5 | 100 | 79 | 65 | 32 | - | 15 | 65 |
| P 325 | 04325000 | 160 | 75 | 75.5 | 150 | 129 | 65 | 32 | - | 15 | 65 |
| P 326 | 04326000 | 80 | 75 | 75.5 | 70 | 49 | 65 | 32 | - | 15 | 65 |
| P 327 | 04327000 | 230 | 75 | 75.5 | 220 | 199 | 65 | 32 | 50.6 | 15 | 65 |
| P 329 | 04329000 | 190 | 75 | 75.5 | 180 | 159 | 65 | 32 | - | 15 | 65 |
| P 330 | 04330000 | 160 | 160 | 91 | 147 | 119 | 147 | 89 | - | 20 | 79 |
| P 331 | 04331000 | 220 | 120 | 91 | 210 | 179 | 110 | 65 | - | 25 | 80 |
| P 332 | 04332000 | 122 | 120 | 91 | 112 | 81 | 110 | 65 | - | 25 | 80 |
| P 333 | 04333000 | 260 | 160 | 91 | 247 | 219 | 147 | 89 | - | 20 | 79 |
| P 334 | 04334000 | 360 | 160 | 91 | 347 | 319 | 147 | 89 | - | 20 | 79 |
| P 336 | 04336000 | 320 | 100 | 81 | 309 | 286 | 88 | 44 | - | 20 | 70 |
| P 337 | 04337000 | 255 | 250 | 121 | 242 | 214 | 237 | 179 | - | 25 | 109 |
| P 338 | 04338000 | 255 | 250 | 161 | 242 | 214 | 237 | 179 | - | 65 | 149 |
| P 339 | 04339000 | 360 | 360 | 90.8 | 347 | 319 | 347 | 289 | - | 20 | 79 |
| P 340 | 04340000 | 400 | 250 | 161 | 386 | 358 | 236 | 178 | - | 65 | 149 |
| P 341 | 04341000 | 400 | 405 | 121 | 386 | 358 | 391 | 333 | - | 25 | 109 |
| P 3412 | 04341200 | 400 | 405 | 201 | 384 | 356 | 389 | 331 | - | 25 | 189 |
| P 342 | 04342000 | 600 | 250 | 121 | 586 | 558 | 236 | 178 | 208 | 25 | 109 |
| P 345 | 04345000 | 560 | 160 | 91 | 547 | 519 | 147 | 89 | 119 | 20 | 79 |
| P 355 | 04355000 | 400 | 250 | 121 | 386 | 358 | 236 | 178 | - | 25 | 109 |

Scope Of Delivery: Lid and base, lid screws (V2A), 4 screws for installation



Z-24.03295

Euromas Polyester

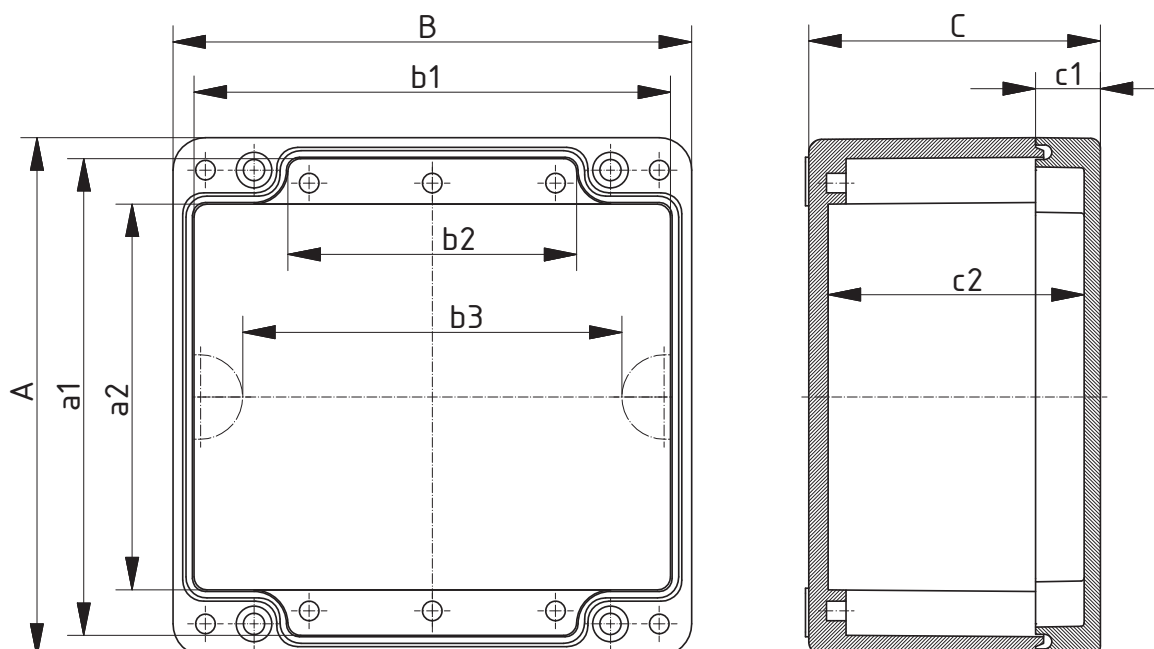
Enclosures with silicone lid seal

Enclosure, polyester, with silicone lid seal

| Model | Order no. | A | B | C | a1 | a2 | b1 | b2 | b3 | c1 | c2 |
|------------|-----------|-----|-----|------|-----|-----|-----|-----|------|----|-----|
| P 305 SIL | 04305100 | 80 | 75 | 56.5 | 70 | 49 | 65 | 32 | - | 15 | 46 |
| P 311 SIL | 04311100 | 110 | 75 | 56.5 | 100 | 79 | 65 | 32 | - | 15 | 46 |
| P 316 SIL | 04316100 | 160 | 75 | 56.5 | 150 | 129 | 65 | 32 | - | 15 | 46 |
| P 319 SIL | 04319100 | 190 | 75 | 56.5 | 180 | 159 | 65 | 32 | - | 15 | 46 |
| P 322 SIL | 04322100 | 230 | 75 | 56.5 | 220 | 199 | 65 | 32 | 50.6 | 15 | 46 |
| P 324 SIL | 04324100 | 110 | 75 | 75.5 | 100 | 79 | 65 | 32 | - | 15 | 65 |
| P 325 SIL | 04325100 | 160 | 75 | 75.5 | 150 | 129 | 65 | 32 | - | 15 | 65 |
| P 326 SIL | 04326100 | 80 | 75 | 75.5 | 70 | 49 | 65 | 32 | - | 15 | 65 |
| P 327 SIL | 04327100 | 230 | 75 | 75.5 | 220 | 199 | 65 | 32 | 50.6 | 15 | 65 |
| P 329 SIL | 04329100 | 190 | 75 | 75.5 | 180 | 159 | 65 | 32 | - | 15 | 65 |
| P 330 SIL | 04330100 | 160 | 160 | 91 | 147 | 119 | 147 | 89 | - | 20 | 79 |
| P 331 SIL | 04331100 | 220 | 120 | 91 | 210 | 179 | 110 | 65 | - | 25 | 80 |
| P 332 SIL | 04332100 | 122 | 120 | 91 | 112 | 81 | 110 | 65 | - | 25 | 80 |
| P 333 SIL | 04333100 | 260 | 160 | 91 | 247 | 219 | 147 | 89 | - | 20 | 79 |
| P 334 SIL | 04334100 | 360 | 160 | 91 | 347 | 319 | 147 | 89 | - | 20 | 79 |
| P 336 SIL | 04336100 | 320 | 100 | 81 | 309 | 286 | 88 | 44 | - | 20 | 70 |
| P 337 SIL | 04337100 | 255 | 250 | 121 | 242 | 214 | 237 | 179 | - | 25 | 109 |
| P 338 SIL | 04338100 | 255 | 250 | 161 | 242 | 214 | 237 | 179 | - | 65 | 149 |
| P 339 SIL | 04339100 | 360 | 360 | 90.8 | 347 | 319 | 347 | 289 | - | 20 | 79 |
| P 340 SIL | 04340100 | 400 | 250 | 161 | 386 | 358 | 236 | 178 | - | 65 | 149 |
| P 341 SIL | 04341100 | 400 | 405 | 121 | 386 | 358 | 391 | 333 | - | 25 | 109 |
| P 3412 SIL | 04341300 | 400 | 405 | 201 | 384 | 356 | 389 | 331 | - | 25 | 189 |
| P 342 SIL | 04342100 | 600 | 250 | 121 | 586 | 558 | 236 | 178 | 208 | 25 | 109 |
| P 345 SIL | 04345100 | 560 | 160 | 91 | 547 | 519 | 147 | 89 | 119 | 20 | 79 |
| P 355 SIL | 04355100 | 400 | 250 | 121 | 386 | 358 | 236 | 178 | - | 25 | 109 |



Scope Of Delivery: Lid and base, lid screws (V2A), 4 screws for installation



Z-24.03295

Euromas Polyester

Mounting panels



Mounting panels, laminated paper (P 305-329) or galvanised sheet steel (P 330-355)

| Model | Order no. | Note |
|-------|-----------|----------------------|
| M | 24000100 | For P 305 |
| M | 24000200 | For P 311, P 324 |
| M | 24000300 | For P 316, P 325 |
| M | 24000400 | For P 319, P 329 |
| M | 21001700 | For A 125, P 330 |
| M | 21001500 | For A 122-123, P 331 |
| M | 21001600 | For A 119-120, P 332 |
| M | 21001800 | For A 130, P 333 |
| M | 21001900 | For A 135, P 334 |
| M | 24000430 | For P 336 |
| M | 24000440 | For P 337-338 |
| M | 24000450 | For P 339 |
| M | 24000460 | For P 340, P 355 |
| M | 24000470 | For P 341, P 3412 |
| M | 24000500 | For P 342 |
| M | 21002000 | For A 138, P 345 |

Scope Of Delivery: 1 mounting panel

Euromas Polyester

DIN rails

DIN rails DIN EN 60715 TH 15, galvanised steel

| Model | Order no. | Note |
|-------|------------------|---|
| TS 15 | 21002800* | For A 105, P 305, P 326, PK 105 |
| TS 15 | 24003100 | For P 311, P 324 |
| TS 15 | 21003150 | For A 118, P 316 |
| TS 15 | 24003300 | For A 106, P 319, P 329 |
| TS 15 | 24003310 | For P 322, P 327, P 331 |
| TS 15 | 22002000 | For M/T 219-220, M/T 231-235, M/T 238, M/T 246, P 325, M/T 2381 |
| TS 15 | 22001901 | For P 330 |
| TS 15 | 21003205 | For A 119-120, P 332 |
| TS 15 | 21003505 | For A 130, P 333 |
| TS 15 | 24003400 | For P 336 |

Scope Of Delivery: 1 DIN rail



DIN rails DIN EN 60715 G 32, galvanised steel

| Model | Order no. | Note |
|-------|-----------------|--|
| TS 32 | 22001701 | For M/T 210, M/T 225, P 305, P 326 |
| TS 32 | 22002010 | For M/T 219-220, M/T 231-235, M/T 238, M/T 246, P 316, P 325, M/T 2381 |
| TS 32 | 24003410 | For P 319, P 329 |
| TS 32 | 24003311 | For P 322, P 327 |
| TS 32 | 21003400 | For A 125, P 330 |
| TS 32 | 21003300 | For A 122-123, P 331 |
| TS 32 | 21003200 | For A 119-120, P 332 |
| TS 32 | 21003500 | For A 130, P 333 |
| TS 32 | 21003340 | For A 124, A 135, P 334, P 339 |
| TS 32 | 24003750 | For P 337-338 |
| TS 32 | 21004100 | For A 168, A 170-190, P 340-341, P 3412, P 355 |
| TS 32 | 21004150 | For A 169, A 196-197, P 342 |
| TS 32 | 21003700 | For A 138, P 345 |

Scope Of Delivery: 1 DIN rail



DIN rails DIN EN 60715 TH 35, galvanised steel

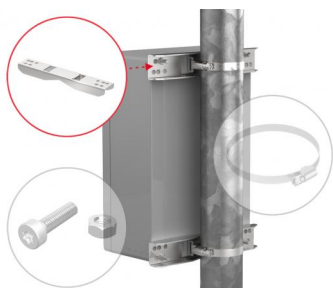
| Model | Order no. | Note |
|-------|-----------------|--|
| TS 35 | 22001702 | For M/T 210, M/T 225, P 305, P 326 |
| TS 35 | 22002020 | For M/T 219-220, M/T 231-235, M/T 238, M/T 246, P 316, P 325, M/T 2381 |
| TS 35 | 24003315 | For P 319, P 329 |
| TS 35 | 24003312 | For P 322, P 327 |
| TS 35 | 21003410 | For A 125, P 330 |
| TS 35 | 21003320 | For A 122-123, P 331 |
| TS 35 | 21003210 | For A 119-120, P 332 |
| TS 35 | 21003510 | For A 130, P 333 |
| TS 35 | 21003350 | For A 124, A 135, P 334, P 339 |
| TS 35 | 24003760 | For P 337-338 |
| TS 35 | 21004110 | For A 168, A 170-190, P 340-341, P 3412, P 355 |
| TS 35 | 21004160 | For A 169, A 196-197, P 342 |
| TS 35 | 21003710 | For A 138, P 345 |

Scope Of Delivery: 1 DIN rail



Euromas Polyester

Accessories

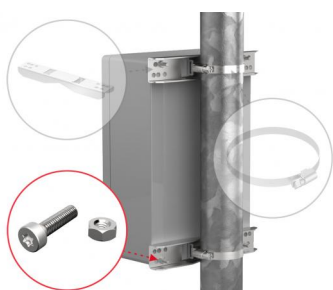


Mast mounting, stainless steel V2A, uncoated

| Model | Order no. |
|--------|-----------|
| MH 080 | 96500080 |
| MH 122 | 96500122 |
| MH 167 | 96500167 |
| MH 220 | 96500220 |
| MH 265 | 96500265 |

Scope Of Delivery: MH: 1 set (2 pieces) BFS: 20 pieces

Notes: Please order the assembly kit and mast clamp as per the table.



Assembly kit for mast mounting

| Model | Order no. | Note |
|----------|-----------|------------|
| BFS MH 1 | 96500001 | Fixing kit |
| BFS MH 2 | 96500002 | Fixing kit |
| BFS MH 3 | 96500003 | Fixing kit |

Scope Of Delivery: 20 pieces (for 5 sets of mast mountings)

Notes: Details of the matching mast mounting for each enclosure size and the accompanying assembly kit can be found in the table (see "Product information").



Clamp for mast mounting, stainless steel

| Model | Order no. | Note |
|--------------|-----------|--------------------------|
| MH S 32-50 | 96500050 | Terminal area 32-50 mm |
| MH S 50-70 | 96500070 | Terminal area 50-70 mm |
| MH S 70-90 | 96500090 | Terminal area 70-90 mm |
| MH S 90-110 | 96500110 | Terminal area 90-110 mm |
| MH S 110-130 | 96500130 | Terminal area 110-130 mm |
| MH S 130-150 | 96500150 | Terminal area 130-150 mm |
| MH S 150-170 | 96500175 | Terminal area 150-170 mm |
| MH S 170-190 | 96500190 | Terminal area 170-190 mm |
| MH S 190-210 | 96500210 | Terminal area 190-210 mm |

Scope Of Delivery: 10 pieces

Verwendung der Mastbefestigung für Euromas Polyester Use of the mast mounting for Euromas Polyester

Bitte wählen Sie anhand dieser Tabelle je nach Größe und Ausrichtung des Gehäuses die passende Mastbefestigung und den dazugehörigen Befestigungssatz aus.

Please use this table to select the appropriate mast mounting and the associated mounting kit, depending on the size and alignment of the enclosure.

Ausrichtung des Gehäuses / Alignment of the enclosure :

H = horizontal

V = vertical

| Gehäuse Enclosure | | Mastbefestigung Mast mounting | | Befestigungssatz Mounting kit |
|----------------------|---|----------------------------------|---|----------------------------------|
| P 305 H | = | MH 080 | + | BFS MH 1 |
| P 305 V | = | MH 080 | + | BFS MH 1 |
| P 311 V | = | MH 080 | + | BFS MH 1 |
| P 316 H | = | MH 167 | + | BFS MH 1 |
| P 316 V | = | MH 080 | + | BFS MH 1 |
| P 319 H | = | MH 220 | + | BFS MH 1 |
| P 319 V | = | MH 080 | + | BFS MH 1 |
| P 322 H | = | MH 265 | + | BFS MH 1 |
| P 322 V | = | MH 080 | + | BFS MH 1 |
| P 324 V | = | MH 080 | + | BFS MH 1 |
| P 325 H | = | MH 167 | + | BFS MH 1 |
| P 325 V | = | MH 080 | + | BFS MH 1 |
| P 326 H | = | MH 080 | + | BFS MH 1 |
| P 326 V | = | MH 080 | + | BFS MH 1 |
| P 327 H | = | MH 265 | + | BFS MH 1 |
| P 327 V | = | MH 080 | + | BFS MH 1 |
| P 329 H | = | MH 220 | + | BFS MH 1 |
| P 329 V | = | MH 080 | + | BFS MH 1 |
| P 330 H | = | MH 167 | + | BFS MH 1 |
| P 330 V | = | MH 122 | + | BFS MH 3 |
| P 331 V | = | MH 122 | + | BFS MH 3 |
| P 332 H | = | MH 122 | + | BFS MH 3 |
| P 332 V | = | MH 122 | + | BFS MH 3 |
| P 333 H | = | MH 265 | + | BFS MH 3 |
| P 333 V | = | MH 122 | + | BFS MH 3 |
| P 334 V | = | MH 122 | + | BFS MH 3 |
| P 336 V | = | MH 080 | + | BFS MH 3 |
| P 337 H | = | MH 265 | + | BFS MH 3 |
| P 337 V | = | MH 220 | + | BFS MH 3 |
| P 338 H | = | MH 265 | + | BFS MH 3 |
| P 338 V | = | MH 220 | + | BFS MH 3 |
| P 340 V | = | MH 220 | + | BFS MH 3 |
| P 342 V | = | MH 220 | + | BFS MH 3 |
| P 345 V | = | MH 122 | + | BFS MH 3 |
| P 355 V | = | MH 220 | + | BFS MH 3 |

H = horizontal



V = vertical



Euromas Polyester

Accessories



Capstan-headed screws, sealable

| Model | Order no. | Note |
|-------|-----------|--|
| KP | 21007905 | For P 303, P 323 |
| KP | 21007935 | For P 305-322, P 324-329 |
| KP | 21007975 | For A 195, P 330, P 333-336, P 339, P 345 |
| KP | 21007995 | For A 120-121, A 123, A 126-127, A 131, P 331-332, P 337, P 341-342, P 335 |
| KP | 21008025 | For P 338, P 340 |

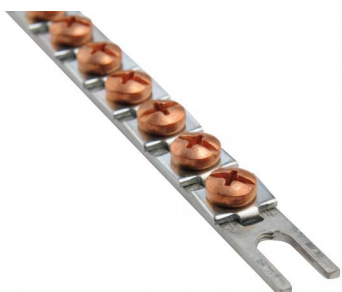
Scope Of Delivery: 2 pieces



Allen cheese-head screw for lid

| Model | Order no. | Note |
|-------|-----------|--|
| IS | 21007930 | For P 305-319, P 324-326, P 329 |
| IS | 21007940 | For P 322, P 327 |
| IS | 21007970 | For A 195, P 330, P 333-336, P 339 |
| IS | 21007990 | For A 120-121, A 123, A 126-127, A 131, P 331-332, P 337, P 341, P 3412, P 355 |
| IS | 21008020 | For P 338, P 340 |
| IS | 21008000 | For P 342 |
| IS | 21007980 | For P 345 |

Scope Of Delivery: 4 pieces



Earthing bars with fitted terminal clamps

| Model | Order no. | Note |
|-------|-----------|--|
| E | 21004800 | For A 125, P 330 |
| E | 21004700 | For A 122-123, P 331 |
| E | 21004600 | For A 119-120, P 332 |
| E | 21004900 | For A 130, P 333, P 337-338 |
| E | 21005000 | For A 124, A 135, P 334, P 339 |
| E | 21005400 | For A 168, A 170-190, P 340-341, P 3412, P 355 |
| E | 21005500 | For A 169, P 342 |
| E | 21005100 | For A 138, P 345 |

Scope Of Delivery: 1 earthing bar



Wall brackets, screw-on at rear

| Model | Order no. | Note |
|-------|-----------|---|
| WL | 21004250 | For A 114, A 116, A 118, P 305-322, P 324-329 |
| WL | 21004300 | For A 119-198, P 330-355 |

Scope Of Delivery: 4 pieces



BOPLA

A Phoenix Mecano Company

Euromas Polyester

Accessories

Set of hinges

| Model | Order no. |
|-------|-----------|
| SCHD | 21007800 |

Scope Of Delivery: 1 set of diecast hinges

Notes: Processing of the enclosure and mounting on request.

