

The product advantages



The connector enclosures are made of flame-resistant plastic, IP40 protected, and have successfully passed information test VDE 0624/IEC 884.



Quick-Finder:
www.bopla.de/43



Versions with and without earthing are available.



Half-shell technology ensures easy access to the electronics.



Additional variants, versions for different countries, different colours and enclosure heights are available on request.



The lid can also be fitted turned by 180°. This ensures optimal use of the mounting space and operating position.



BOPLA

A Phoenix Mecano Company

Elesett | Eletec



Colour:

● Traffic white, similar to RAL 9016

Special colours on request

Protection class:

IP40 / DIN EN 60529

IP20 / DIN EN 60529 with protective contact socket

Material:

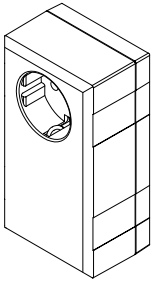
Enclosure: PC/ABS-Blend, flame retardant UL 94 V-0

For details see technical information.

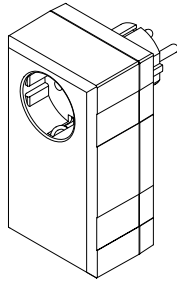


Enclosure sizes Elesett

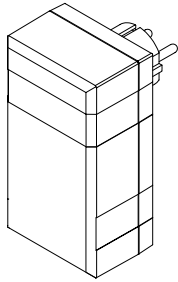
ESO 1250 E
ESU 1200



ESO 1250 E
ESU 1200 E/CEE

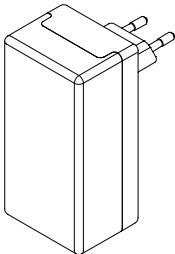


ESO 1250
ESU 1200 E/CEE

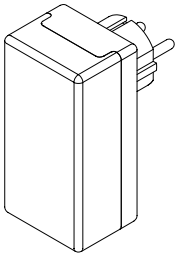


Enclosure sizes Eletec

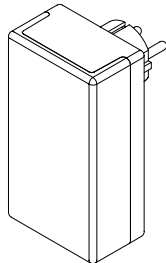
SE 420 EU



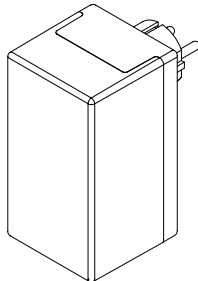
SE 420 E/CEE



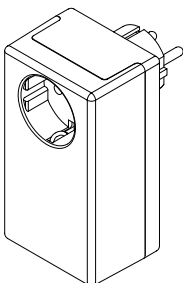
SE 430 E/CEE



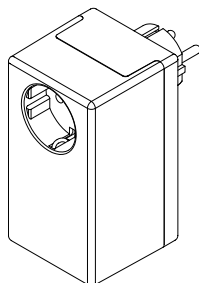
SE 435 E/CEE



SE 432 DE

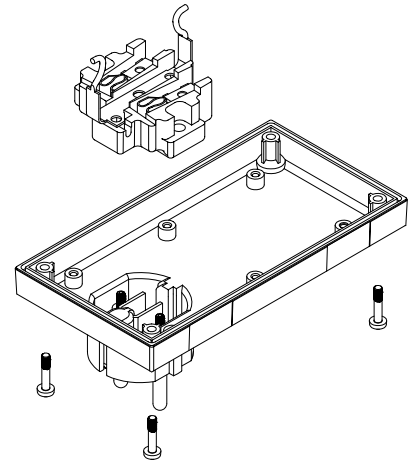
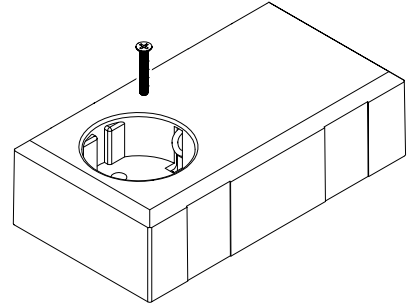
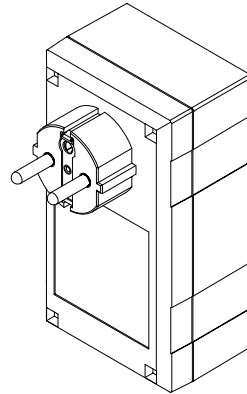


SE 435 DE

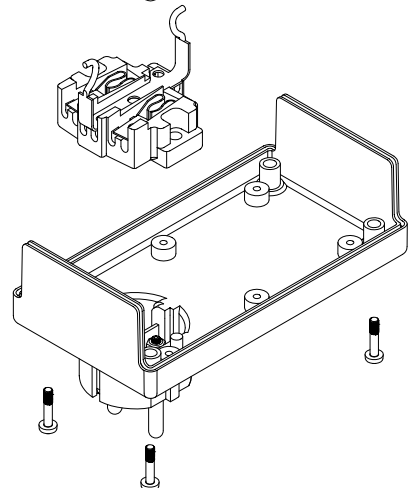
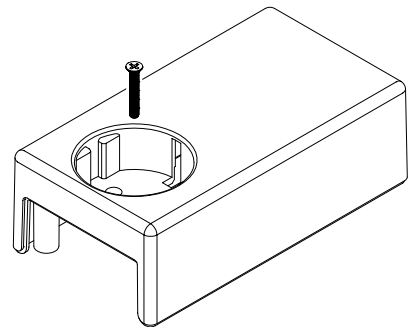
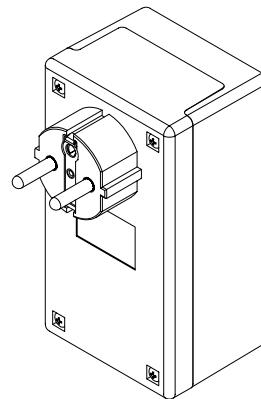


Design types

Elesett



Eletec

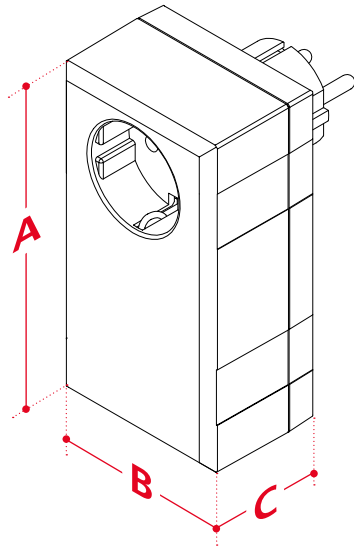




BOPLA

A Phoenix Mecano Company

Elesett | Eletec

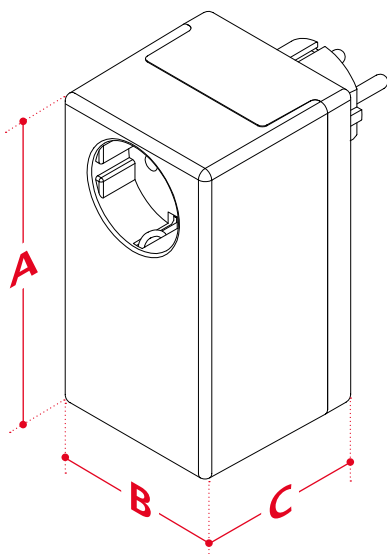


Dimensions Elesett

Model	A	B	C
ESO / ESU 1250...	125	67	50

Dimensions Eletec

Model	A	B	C
SE 420 EU	100	50	40
SE 430 E/CEE	120	65	40
SE 432 DE	120	65	50
SE 435 DE	120	65	66
SE 435 E/CEE	120	64	66



Elesett / Eletec

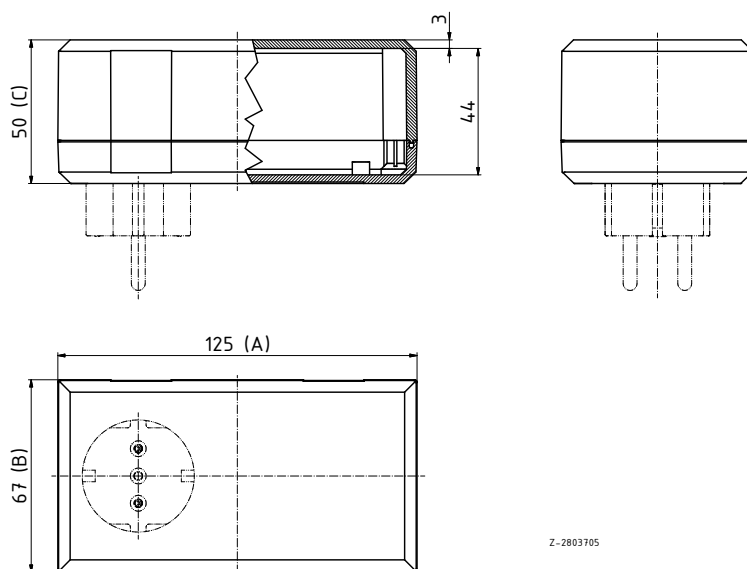
Elesett Enclosures



Connector enclosure

Model	Order no.	A	B	C	Note
ESO 1250 E / ESU 1200 E/CEE - 9016	44000109	125	67	50	1: Lid with safety socket; base with connector (CEE 7/7; hybrid connector type E+F)
ESO 1250 / ESU 1200 E/CEE - 9016	44000409	125	67	50	2: Lid in smooth closed version; base with connector (CEE 7/7; hybrid connector type E+F)
ESO 1250 E / ESU 1200 - 9016	44002509	125	67	50	3: Lid with safety socket; base in closed version

Scope Of Delivery: Lid and base, screws



Z-2803705

Elesett / Eletec

Eletec Enclosures

Connector enclosure with Euro plug

Model	Order no.	A	B	C	c1
SE 420 EU - 9016	43420209	100	50	40	34

Scope Of Delivery: Lid and base, screws

Notes: - Lid in smooth closed version - base with Euro plug (CEE 7/16; connector type C)



Connector enclosure with connector

Model	Order no.	A	B	C	c1
SE 420 E/CEE - 9016	43420109	100	50	40	34
SE 430 E/CEE - 9016	43430009	120	65	40	34
SE 435 E/CEE - 9016	43435009	120	65	66	60

Scope Of Delivery: Lid and base, screws

Notes: - Lid in closed version - base with connector (CEE 7/7; hybrid connector type E+F)

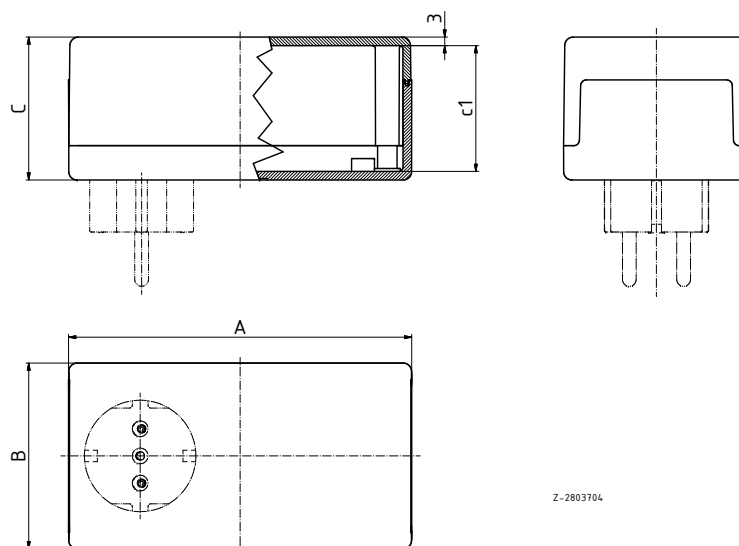


Connector enclosure with connector and safety socket

Model	Order no.	A	B	C	c1
SE 432 DE - 9016	43432509	120	65	50	44
SE 435 DE - 9016	43435509	120	65	66	60

Scope Of Delivery: Lid and base, screws

Notes: - Lid with safety socket - base with connector (CEE 7/7; hybrid connector type E+F)



Z-2803704