

## The product advantages



The front panel is moulded onto the base – the lid can be removed without dismantling the electronics.



Numerous lid variants are available and can be used to match membrane keypads and ventilation to the application.



Screwing from below conceals screws in the application.



The “Universal” variant consists of two identical half-shells which are easily latched together.



An optional quick-release fastener – suitable for retrofitting – allows opening and closing of the enclosure without screwing. This is a perfect addition to the moulded contours for wall mounting.



Quick-Finder:  
[www.bopla.de/05](http://www.bopla.de/05)

## Examples of use



# Element Universal



## Colour:

Top:

● Light grey, similar to RAL 7035

Lower part:

● Graphite grey, similar to RAL 7024

Special colours on request

## Protection class:

Closed: IP40 / DIN EN 60529

With ventilation slots: IP30 / DIN EN 60529

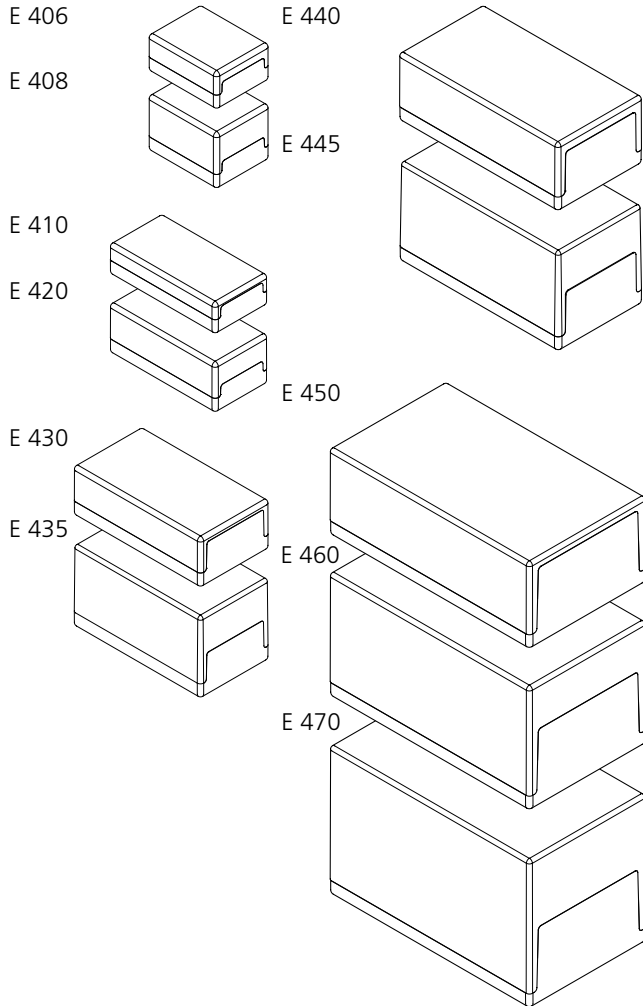
## Material:

Enclosure: PS (polystyrene)

For details see technical information.

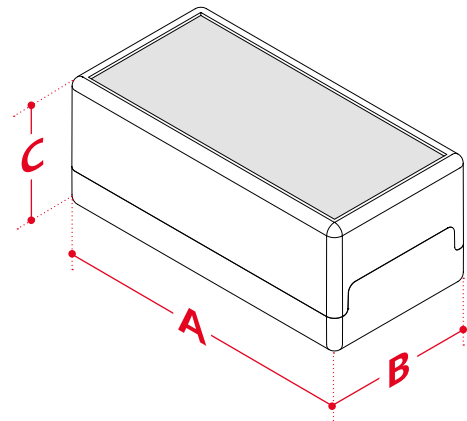


## Enclosure sizes Element



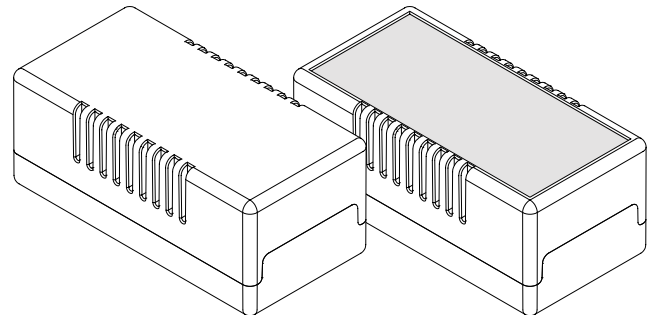
## Design types Element

E...F

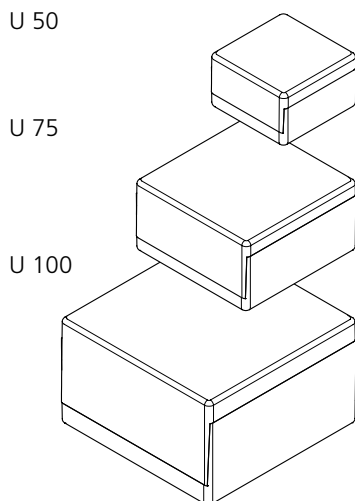


E...VL

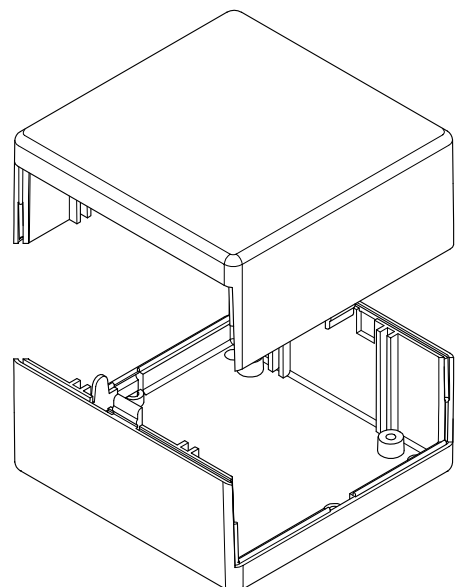
E...FVL



## Enclosure sizes Universal

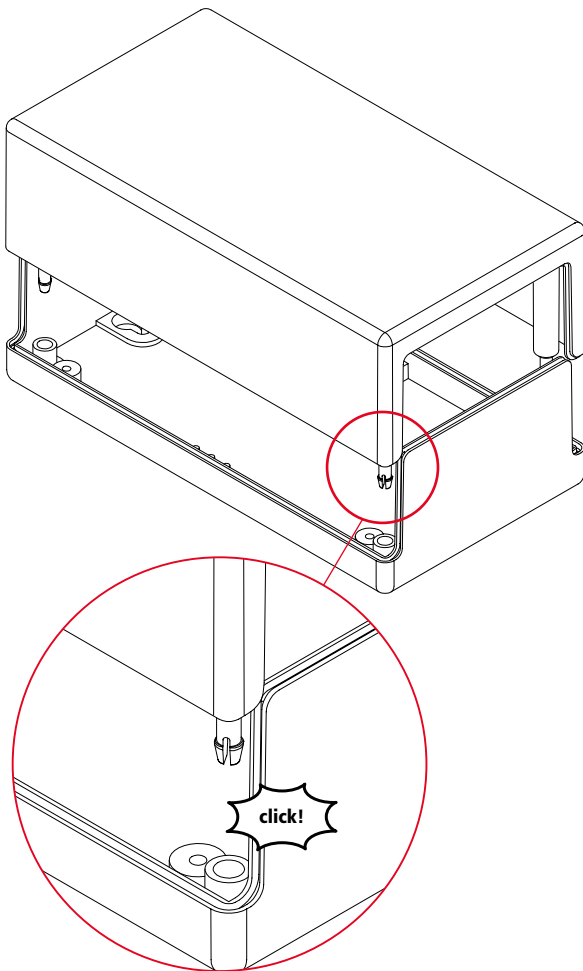


## Design types Universal



# Element Universal

Quick-release fastener



## Dimensions Element

Model	A	B	C
E 406	65	50	30
E 408	65	50	45
E 410	100	50	25
E 420	100	50	40
E 430	120	65	40
E 435	120	65	65
E 440	150	80	55
E 445	150	80	80
E 450	188	110	70
E 460	188	110	100
E 470	188	110	120
E 434 S*	188	110	40
E 430 A**	120	65	40

S\* Enclosure with quick-release fastener

A\*\* Enclosure with front panel

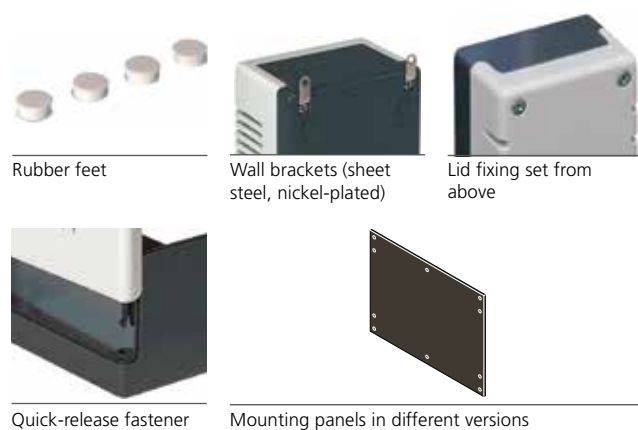
## Additional variants

Model	VL	F	FVL
E 406	✓	✓	
E 408			
E 410		✓	✓
E 420		✓	✓
E 430		✓	
E 435			
E 440	✓	✓	
E 445			
E 450	✓	✓	✓
E 460			
E 470			

## Dimensions Universal

Model	A	B	C
U 50	50	50	30
U 75	75	75	40
U 100	100	100	60

## Accessories



Rubber feet

Wall brackets (sheet steel, nickel-plated)

Lid fixing set from above

Quick-release fastener

Mounting panels in different versions

# Element / Universal

## Enclosure



### Enclosure, plain

Model	Order no.	A	B	C	c1
E 406	05406000	65	50	30	24
E 408	05408000	65	50	45	39
E 410	05410002	100	50	25	19
E 420	05420002	100	50	40	34
E 430	05430002	120	65	40	34
E 435	05435000	120	65	65	59
E 440	05440002	150	80	55	49
E 445	05445000	150	80	80	74
E 450	05450002	188	110	70	64
E 460	05460000	188	110	100	94
E 470	05470000*	188	110	120	114

Scope Of Delivery: Lid, base, 4 fixing screws



### Enclosure, closed, with membrane keypad area

Model	Order no.	A	B	C	c1
E 406 F	05406700*	65	50	31	24
E 410 F	05410700*	100	50	26	19
E 420 F	05420700*	100	50	41	34
E 430 F	05430700*	120	65	41	34
E 440 F	05440700*	150	80	56	49
E 450 F	05450700*	188	110	71	64

Scope Of Delivery: Lid, base, 4 fixing screws



### Enclosure with front panel

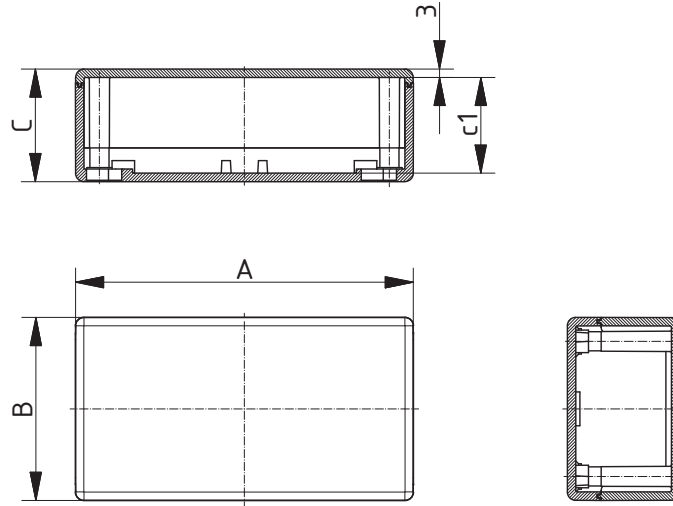
Model	Order no.	A	B	C	c1
E 430 A	05430500*	120	65	40	33

Scope Of Delivery: Lid with aluminium front panel, base, 4 fixing screws



**BOPLA**

A Phoenix Mecano Company



Z-2803245

# Element / Universal

Enclosure with air vents



## Enclosure with air vents

Model	Order no.	A	B	C	c1
E 406 VL	05406900	65	50	30	24
E 440 VL	05440200	150	80	55	49
E 450 VL	05450200	188	110	70	64

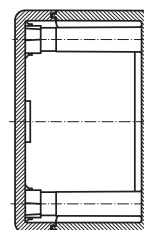
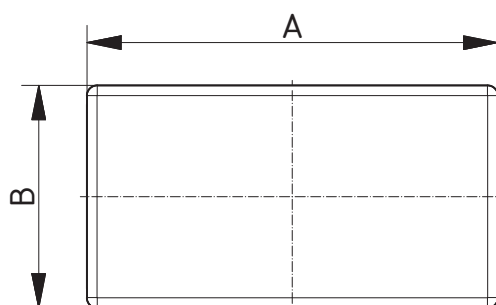
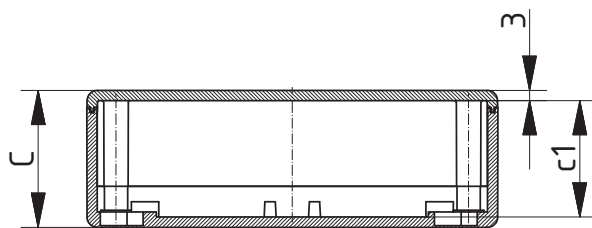
Scope Of Delivery: Lid, base, 4 fixing screws



## Enclosure with air vents and membrane keypad area

Model	Order no.	A	B	C	c1
E 410 F VL	05410800*	100	50	26	19
E 420 F VL	05420800*	100	50	41	34
E 430 F VL	05430800*	120	65	41	34
E 440 F VL	05440800*	150	80	56	49
E 450 F VL	05450800*	188	110	71	64

Scope Of Delivery: Lid, base, 4 fixing screws



Z-2803245

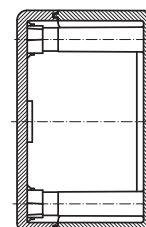
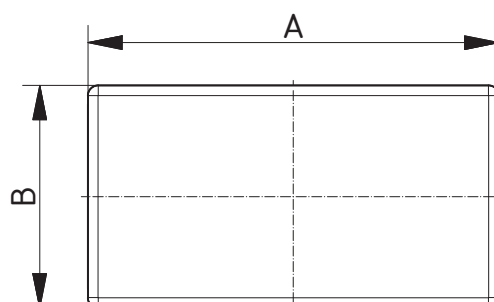
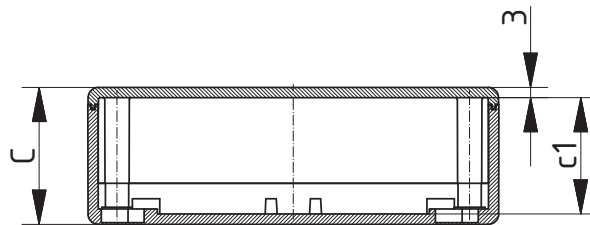
# Element / Universal

Enclosure with snap lock

## Enclosure with snap lock

Model	Order no.	A	B	C	c1
E 434 S	05434000	188	110	40	34

Scope Of Delivery: Lid, base, moulded-on snap lock

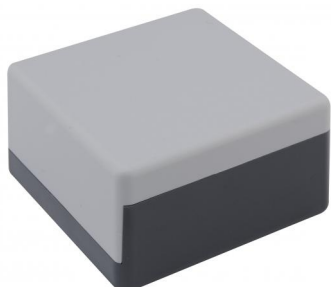


Z-2803245



# Element / Universal

Enclosure with snap lock

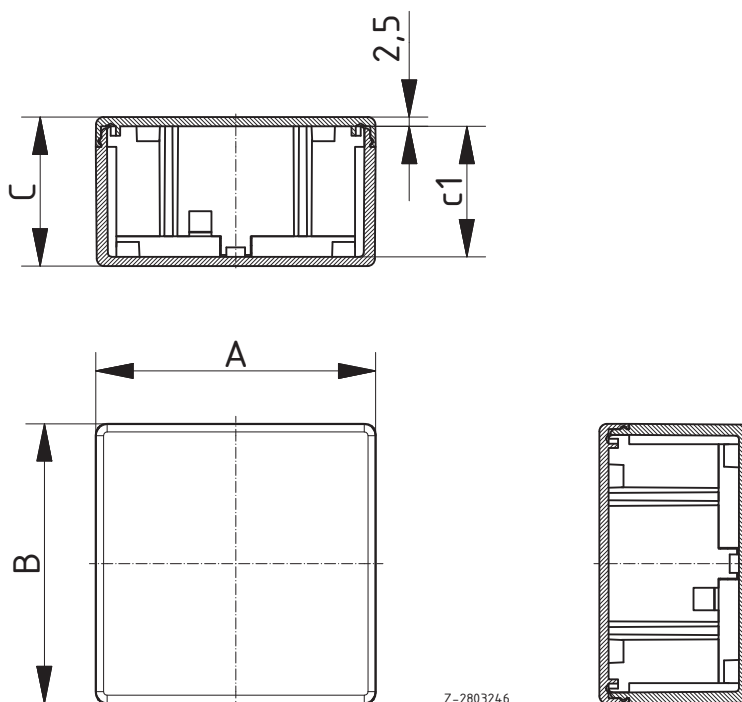


## Enclosure with snap lock

Model	Order no.	A	B	C	c1
U 50	06050000	50	50	30	25
U 75	06075000	75	75	40	35
U 100	06100000	100	100	60	55

Scope Of Delivery: Lid, base

Notes: If required, the locking function can be permanently fixed by means of screws.



Z-2803246

# Element / Universal

## Accessories

### Wall brackets, nickel-plated sheet steel

Model	Order no.	Note
E-WL	<b>25001500</b>	For E 406-E 450
E-WL	<b>25001600*</b>	For E 460-E 470

Scope Of Delivery: 1 set = 4 pieces



### Quick-release fastener, polyamide

Model	Order no.	Note
E-SV	<b>25001700</b>	For E 435, E 440 VL, E 445, E 450 VL, E 460, E 470

Scope Of Delivery: 1 set = 4 pieces



### Mounting panel, laminated paper

Model	Order no.	Note
E-M	<b>25000100*</b>	For E 410-E 420
E-M	<b>25000200*</b>	For E 430-E 435
E-M	<b>25000400*</b>	For E 440-E 445
E-M	<b>25000300*</b>	For E 450-E 470, for E 434 S

Scope Of Delivery: 1 mounting panel



### Lid assembly kit from above

Model	Order no.	Note
E-DO	<b>25000500*</b>	For E 430
E-DO	<b>25000600*</b>	For E 435
E-DO	<b>25000700*</b>	For E 440
E-DO	<b>25000800*</b>	For E 445
E-DO	<b>25000910*</b>	For E 450
E-DO	<b>25001000*</b>	For E 460
E-DO	<b>25001100*</b>	For E 470

Scope Of Delivery: Lid assembly kit from above, 4 screws including inserts for the base

Notes: Enclosure must be mechanically processed.



### Rubber feet

Model	Order no.	Colour	Note
GF	<b>22009000</b>	Black	Polyurethane, 65-75 Shore
E-F	<b>25002200</b>	White	Rubber, 67 Shore, for E 440-E 470, for E 434 S

Scope Of Delivery: 1 set = 4 pieces

