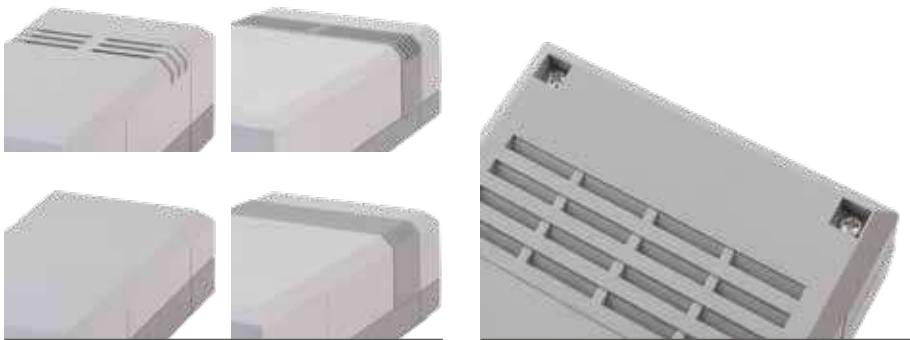


The product advantages



The lid and base contain mounting bosses and holders for PCBs. Separate front panels ensure easy modification.

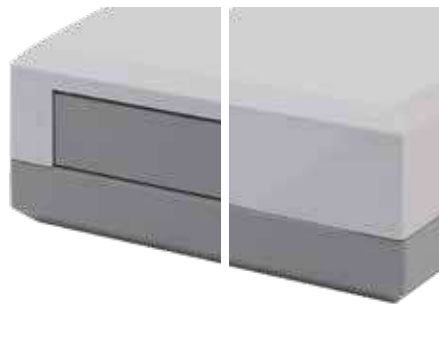


Numerous lid variants are available with which membrane keypads, ventilation and access to the interior can be matched to the application..

Screwing from below conceals screws in the application.



A moulded contour is provided on the interior for wall mounting.



The front surfaces can be chosen closed or with removable front panels. The closed variants can be upgraded to protection class IP54 with a factory-fitted seal.



Quick-Finder:
www.bopla.de/32

Examples of use



Elegant



Colour:

Top:

● Light grey, similar to RAL 7035

Lower part, panels, front panels:

● Agate grey, similar to RAL 7038

Special colours on request

Protection class:

IP40 / DIN EN 60529

Higher protection class (EG..., EG...F)
on request

Material:

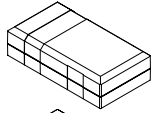
Enclosure: PS (polystyrene)

For details see technical information.

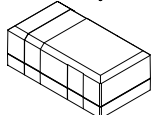


Enclosure sizes

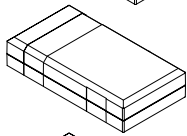
EG 1030



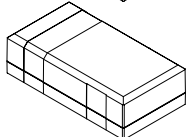
EG 1040



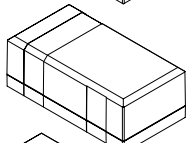
EG 1230



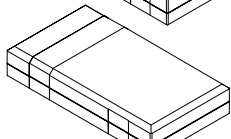
EG 1240



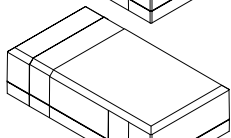
EG 1250



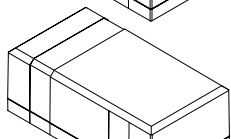
EG 1530



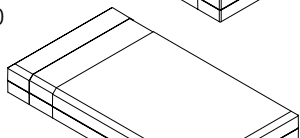
EG 1545



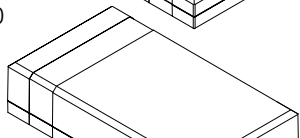
EG 1560



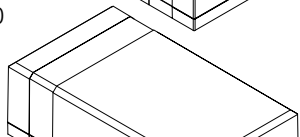
EG 2030



EG 2050

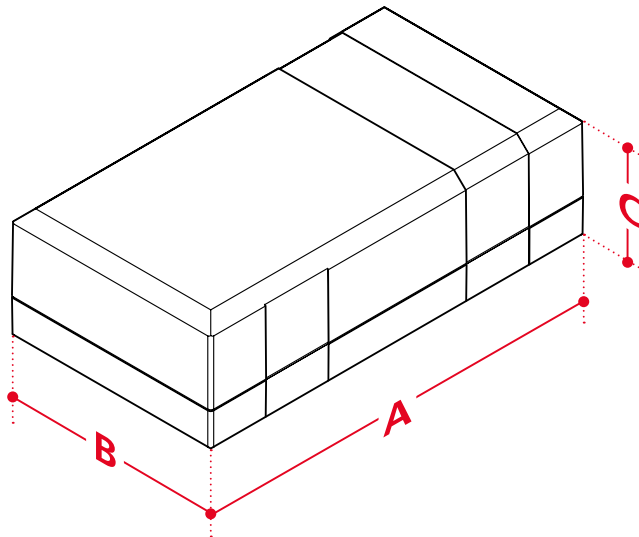


EG 2070



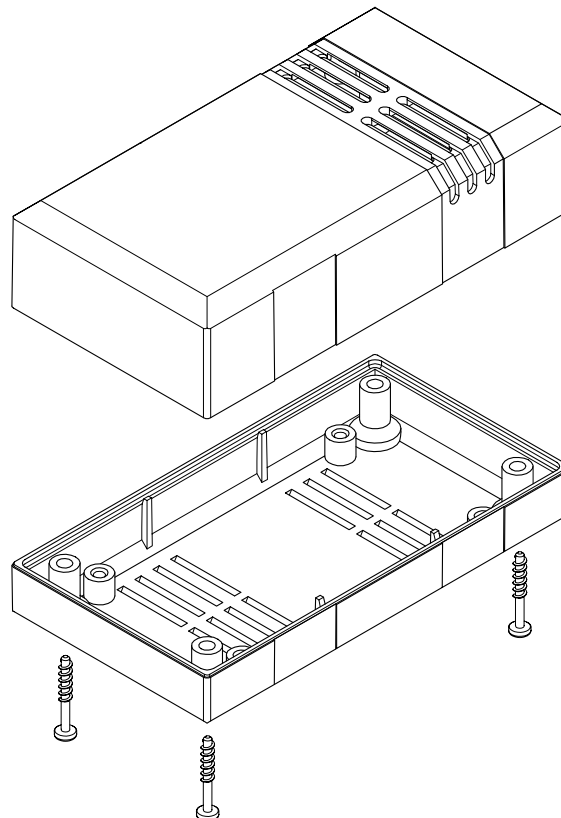
Design types

EG...



EG...L

Enclosure with air vents





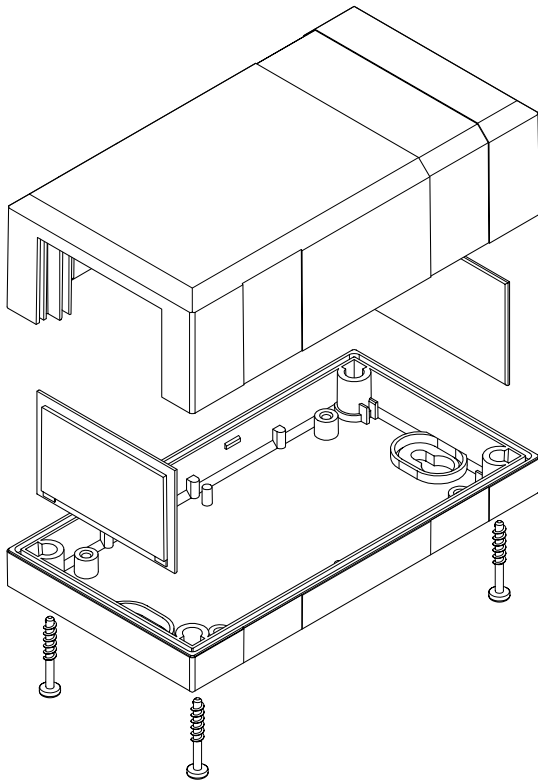
BOPLA

A Phoenix Mecano Company

Elegant

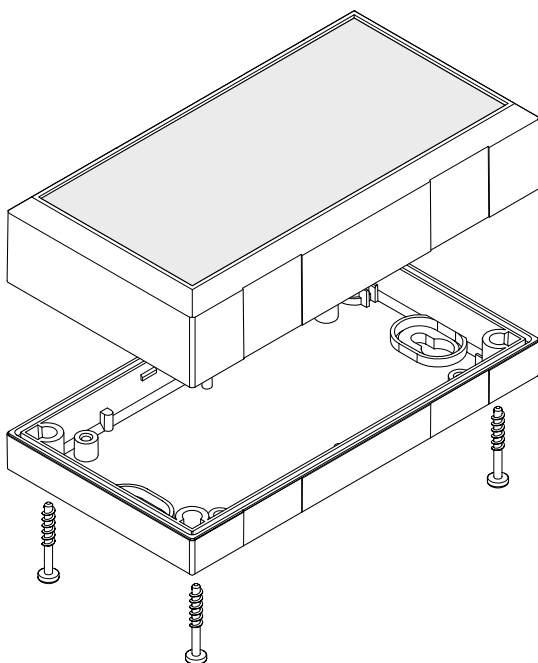
EG...FK

Enclosure with plastic front panels



EG...F

Enclosure with membrane keypad area



Dimensions

Model	A	B	C
EG 1030 (L)	100	54	30
EG 1040 (L)	100	54	40
EG 1230 (L)	125	67	30
EG 1240 (L) / (FK)	125	67	40
EG 1250 (L) / (FK)	125	67	50
EG 1530 (L)	150	82	30
EG 1545 (L) / (FK)	150	82	45
EG 1560 (L) / (FK)	150	82	60
EG 2030 (L)	200	112	30
EG 2050 (L) / (FK)	200	112	50
EG 2070 (L) / (FK)	200	112	70
EG 1230 F	125	67	31
EG 1240 F	125	67	41
EG 1250 F	125	67	51
EG 1530 F	150	82	31
EG 1545 F	150	82	46
EG 1560 F	150	82	61
EG 2030 F	200	112	31
EG 2050 F	200	112	51
EG 2070 F	200	112	71

Accessories



Wall brackets



Lid fixing set from above for EG 12.. - 20..



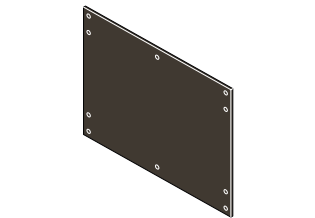
Screw cover, ABS



Covers for keyhole suspension



Rubber feet



Mounting panels

Elegant Enclosure



Enclosure

Model	Order no.	A	B	C	c1	c2
EG 1030	32103000	100	54	30	25	2.5
EG 1040	32104000	100	54	40	35	2.5
EG 1230	32123002	125	67	30	24	3
EG 1240	32124002	125	67	40	34	3
EG 1250	32125002	125	67	50	44	3
EG 1530	32153002	150	82	30	24	3
EG 1545	32154502	150	82	45	39	3
EG 1560	32156002	150	82	60	54	3
EG 2030	32203002	200	112	30	24	3
EG 2050	32205002	200	112	50	44	3
EG 2070	32207002	200	112	70	64	3

Scope Of Delivery: Lid, base, screws

Notes: Higher protection class on request.

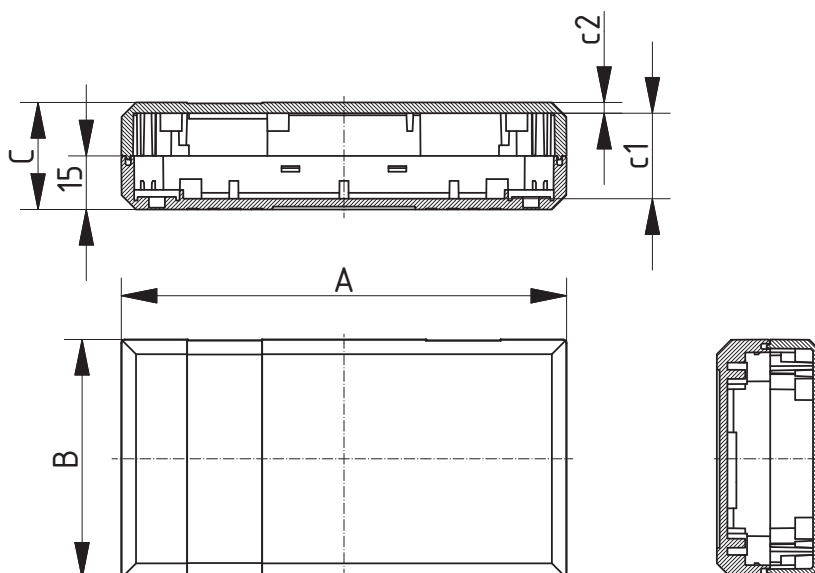


Enclosure with membrane keypad area

Model	Order no.	A	B	C	c1	c2
EG 1230 F	32123062	125	67	31	24	3
EG 1240 F	32124062	125	67	41	34	3
EG 1250 F	32125062	125	67	51	44	3
EG 1530 F	32153062	150	82	31	24	3
EG 1545 F	32154563	150	82	46	39	3
EG 1560 F	32156062	150	82	61	54	3
EG 2030 F	32203062	200	112	31	24	3
EG 2050 F	32205062	200	112	51	44	3
EG 2070 F	32207062	200	112	71	64	3

Scope Of Delivery: Lid, base, screws

Notes: Higher protection class on request.



Z-2803244

Elegant

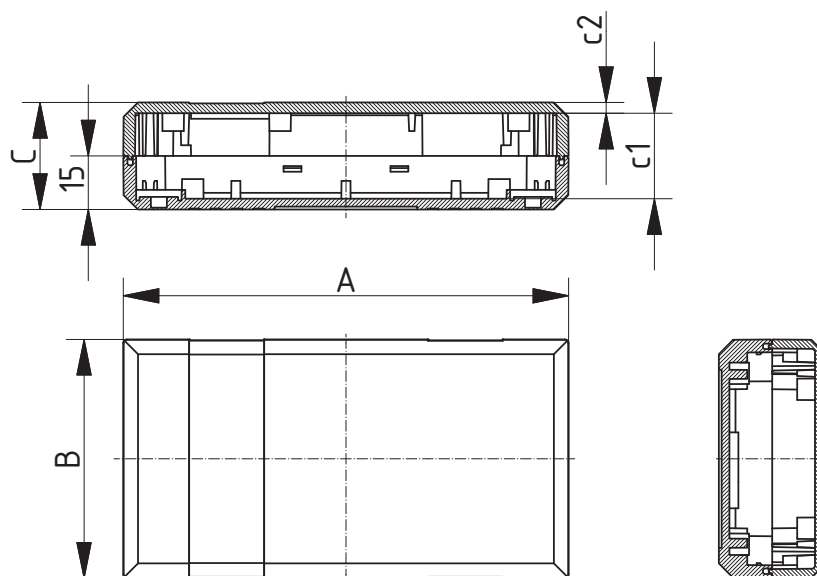
Enclosure with air vents

Enclosure with air vents in the lid and base

Model	Order no.	A	B	C	c1	c2
EG 1030 L	32103010	100	54	30	25	2.5
EG 1040 L	32104010	100	54	40	35	2.5
EG 1230 L	32123012	125	67	30	24	3
EG 1240 L	32124012	125	67	40	34	3
EG 1250 L	32125012	125	67	50	44	3
EG 1530 L	32153012	150	82	30	24	3
EG 1545 L	32154512	150	82	45	39	3
EG 1560 L	32156012	150	82	60	54	3
EG 2030 L	32203012	200	112	30	24	3
EG 2050 L	32205012	200	112	50	44	3
EG 2070 L	32207012	200	112	70	64	3



Scope Of Delivery: Lid and base with air vents, screws



Z-2803244

Elegant

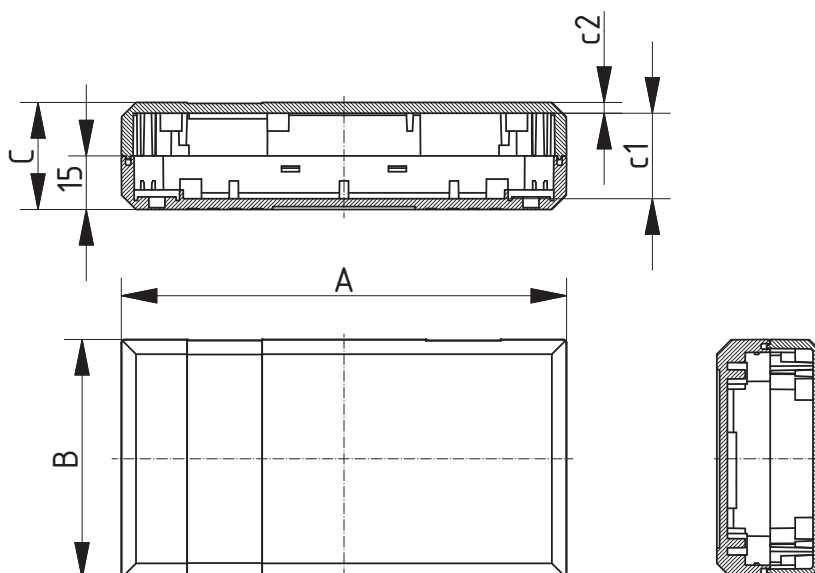
Enclosure with front panel



Enclosure with plastic front panels

Model	Order no.	A	B	C	c1	c2
EG 1240 FK	32124042	125	67	40	34	3
EG 1250 FK	32125042	125	67	50	44	3
EG 1545 FK	32154542	150	82	45	39	3
EG 1560 FK	32156042	150	82	60	54	3
EG 2050 FK	32205042	200	112	50	44	3
EG 2070 FK	32207042	200	112	70	64	3

Scope Of Delivery: Lid, base, 2 front panels, screws



Z-2803244

Elegant

Accessories

Wall brackets, ABS

Model	Order no.	Note
EG-WL	33000200	
EG-WL DO	33000210	Only for use with EG-DO..

Scope Of Delivery: 4 wall brackets, screws



Lid fixing set from above for EG 12.. - 20..

Model	Order no.	Note
EG-DO 30	33100000	For EG 1230, 1530, 2030, not for EG..30 F
EG-DO 45	33100020	For EG 1545, not for EG 1545 F
EG-DO 50	33100030	For EG 1250, 2050, not for EG..50 F
EG-DO 60	33100040	For EG 1560, not for EG 1560 F
EG-DO 70	33100050	For EG 2070, not for EG 2070 F

Scope Of Delivery: 4 Screws, 4 threaded inserts

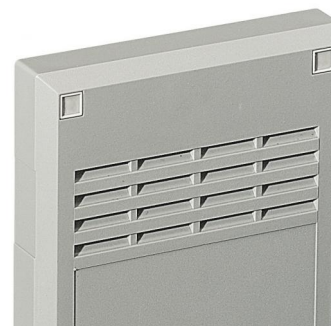
Notes: Enclosure must be mechanically processed.



Screw cover, ABS

Model	Order no.	Colour
EG-SA	33000300	Agate grey

Scope Of Delivery: 4 pieces



Quick-release fastener for EG 12.. – 20.., polyamide

Model	Order no.
EG-SV	33000400

Scope Of Delivery: 4 pieces

Notes: Not for EG 10...



Elegant

Accessories



Covers for keyhole suspension

Model	Order no.	Colour
EG-AK	33000100	Agate grey

Scope Of Delivery: 1 set = 2 pieces



Press-in tool for EG-SV

Model	Order no.
EG-WZ	33000405*

Scope Of Delivery: 1 press-in tool



Rubber feet

Model	Order no.	Colour	Note
GF	22009000	Black	Polyurethane, 65-75 Shore

Scope Of Delivery: 4 pieces



BOPLA

A Phoenix Mecano Company