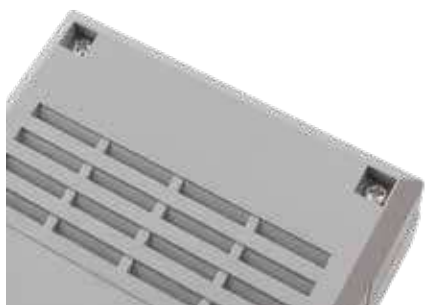


The product advantages



Elegant-Pult is available with a continuous membrane keypad area or with a display screen and membrane keypad area.



Screwing of the enclosure takes place from below, so no unsightly screws are visible on top.



The threaded bushings in the lid allow the enclosure to be opened and securely closed again many times.



A moulded contour is provided on the interior for wall mounting.



Removable rear front surface for easy fitting of connection and operating elements.



Quick-Finder:
www.bopla.de/36

Examples of use





BOPLA

A Phoenix Mecano Company

Elegant-Pult



Colour:

Top:

● Light grey, similar to RAL 7035

Lower part, panels, front panels:

● Agate grey, similar to RAL 7038

Special colours on request

Protection class:

IP40 / DIN EN 60529

Material:

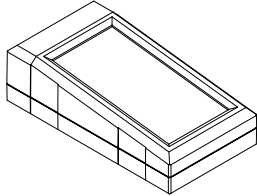
Enclosure: PS (polystyrene)

For details see technical information.

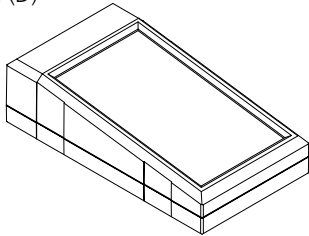


Enclosure sizes

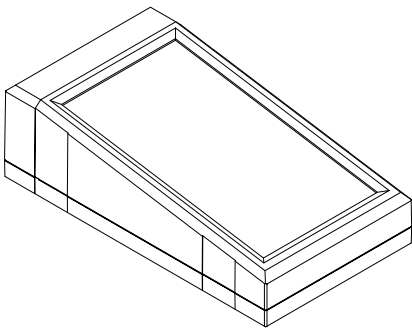
EG 1240 P(D)



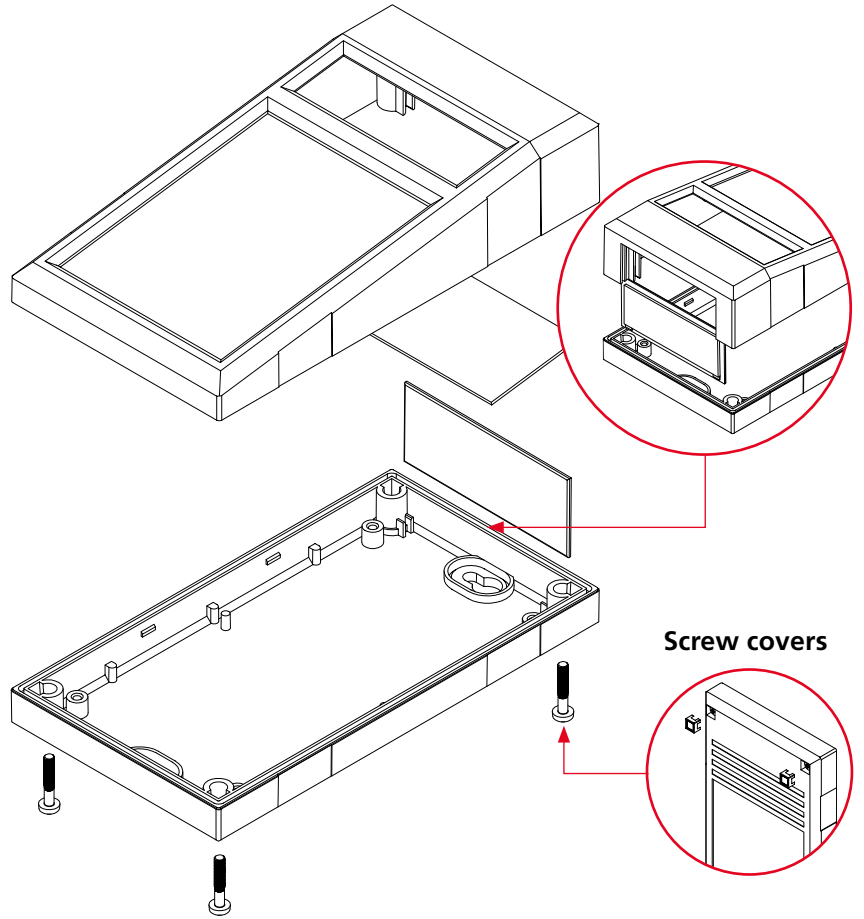
EG 1545 P(D)



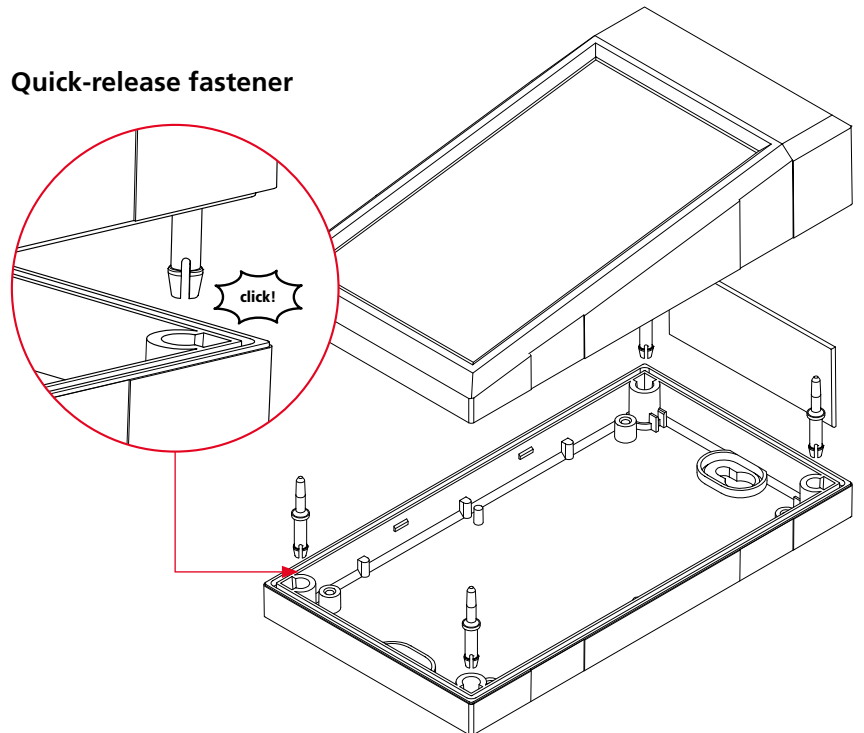
EG 2060 P(D)



Design types



Quick-release fastener



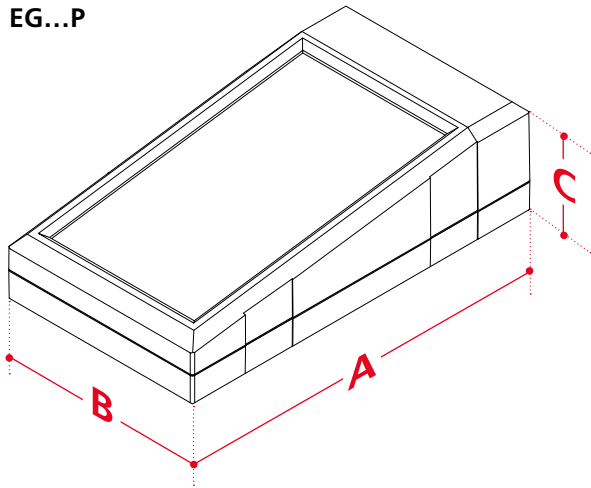


BOPLA

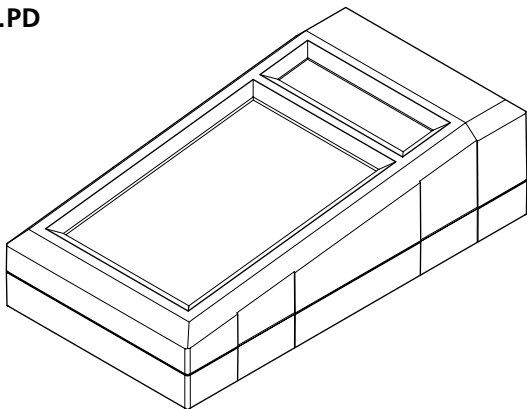
A Phoenix Mecano Company

Elegant-Pult

EG...P



EG...PD



Dimensions

Model	A	B	C
EG 1240 P(D)	125	67	40
EG 1545 P(D)	150	82	45
EG 2060 P(D)	200	112	64

Accessories



Wall brackets



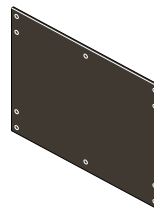
Screw covers, ABS



Cover caps for eyehole suspension



Rubber feet



Mounting panels

Elegant-Pult

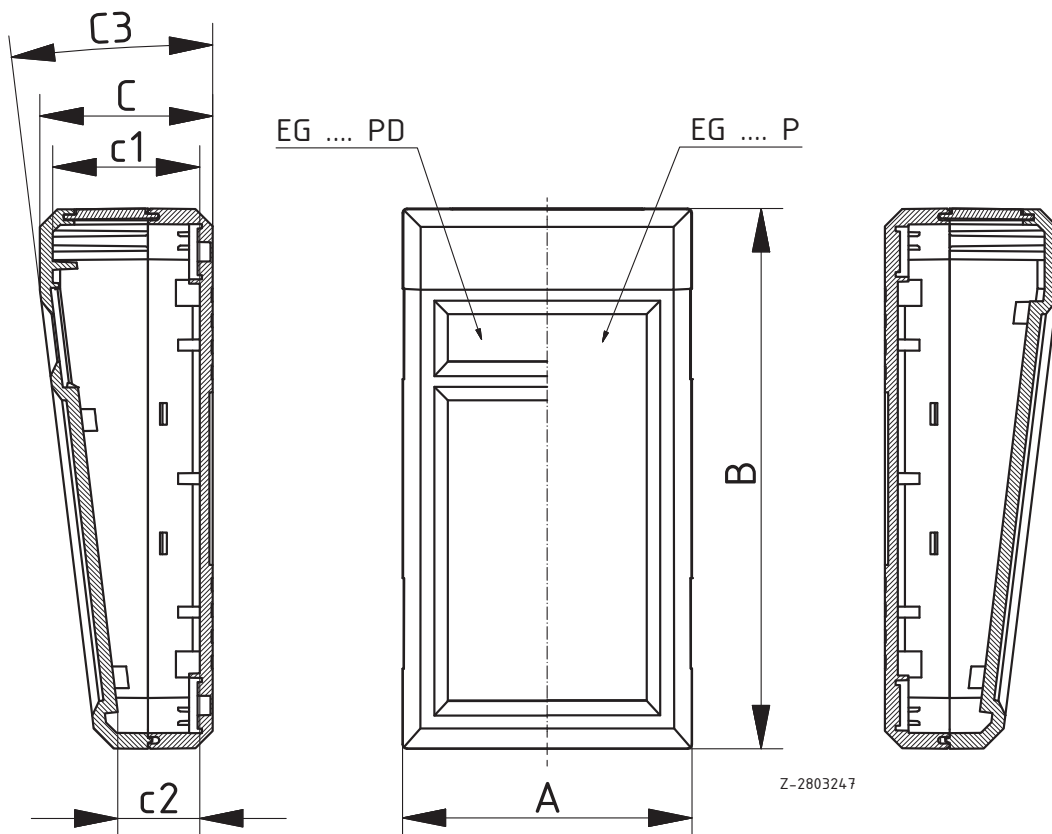
Enclosure



Enclosure with continuous membrane keypad area

Model	Order no.	A	B	C	c1	c2	c3
EG 1240 P	32124070	67	125	40	34	18.9	7
EG 1545 P	32154570	82	150	45	39	19.2	8
EG 2060 P	32206010	112	200	64	58	27.8	9

Scope Of Delivery: Lid and base, 4 fixing screws, rear panel



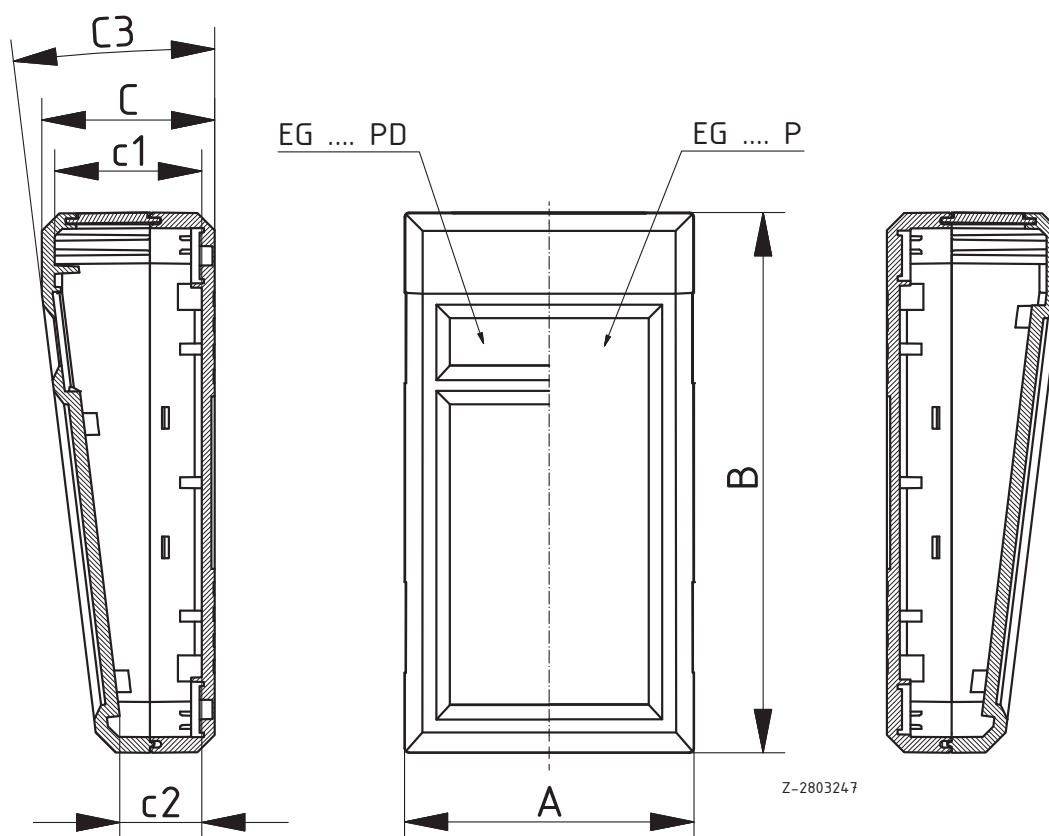
Elegant-Pult

Enclosure with display screen

Enclosure with display screen and membrane keypad area

Model	Order no.	A	B	C	c1	c2	c3
EG 1240 PD	32124080	67	125	40	34	18.9	7
EG 1545 PD	32154580	82	150	45	39	19.2	8
EG 2060 PD	32206000	112	200	64	58	27.8	9

Scope Of Delivery: Lid and base, 4 fixing screws, rear panel, display screen



Elegant-Pult

Mounting panels



Mounting panel, laminated paper

Model	Order no.	Note
EG-M 12	33012000*	For EG 12..
EG-M 15	33015000*	For EG 15..
EG-M 20	33020000*	For EG 20..

Scope Of Delivery: 1 mounting panel

Elegant-Pult

Accessories

Wall brackets, ABS

Model	Order no.
EG-WL	33000200

Scope Of Delivery: 4 wall brackets, screws

Notes: For mounting, please order 4 screws (order no. 59000256).



Screw cover, ABS

Model	Order no.	Colour
EG-SA	33000300	Agate grey

Scope Of Delivery: 4 pieces



Covers for keyhole suspension

Model	Order no.	Colour
EG-AK	33000100	Agate grey

Scope Of Delivery: 1 set = 2 pieces



Rubber feet

Model	Order no.	Colour	Note
GF	22009000	Black	Polyurethane, 65-75 Shore

Scope Of Delivery: 4 pieces

