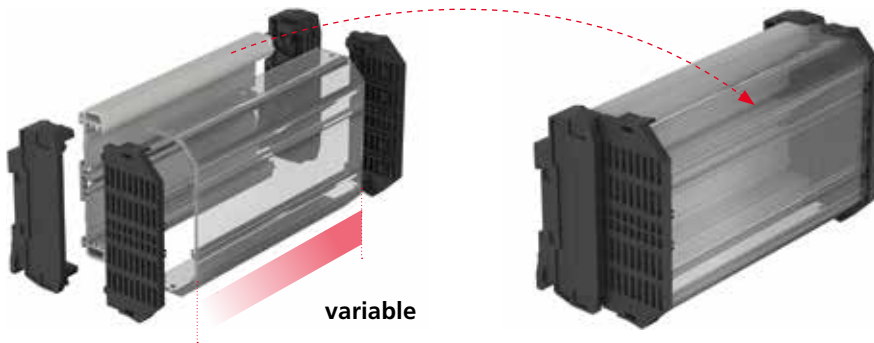


The product advantages



The enclosure body consists of a metal-look plastic profile whose length can be match to the specific application.



The PCBs can be mounted on three levels. The lower ones are inserted into guide grooves, and the upper ones fixed on the profile by means of locking elements.



Defined sections on a circuit board are protected by a crystal-clear hood. Free access to other sections is still possible.



The inserted PCB can be given electrical connectivity with the DIN rail by means of the potential earthing contact (available as an accessory).



The lateral elements with integrated foot catch snap onto the enclosure profile. The optional foot elements increase mechanical stability for long profiles or high loads.



Quick-Finder:
www.bopla.de/46

Examples of use



Combirail



Colour:

Profiles:

● Light grey, similar to RAL 7035

Side panels:

● Black, similar to RAL 9005

Special colours on request

Material:

Extruded profiles: polyamide PA-GF HT, V0

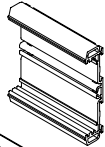
Side panels: polyamide PA, V-0

For details see technical information.

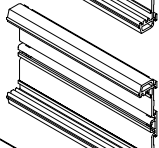


Enclosure sizes

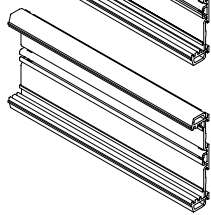
CRP 72...



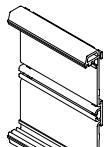
CRP 72...



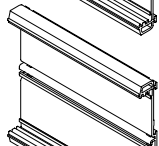
CRP 72...



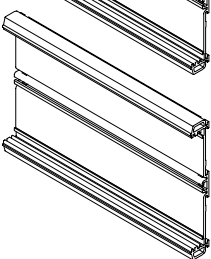
CRP 108...



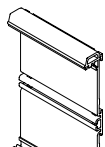
CRP 108...



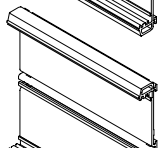
CRP 108...



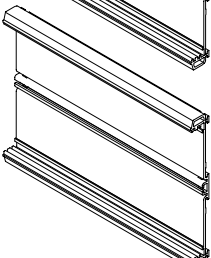
CRP 122...



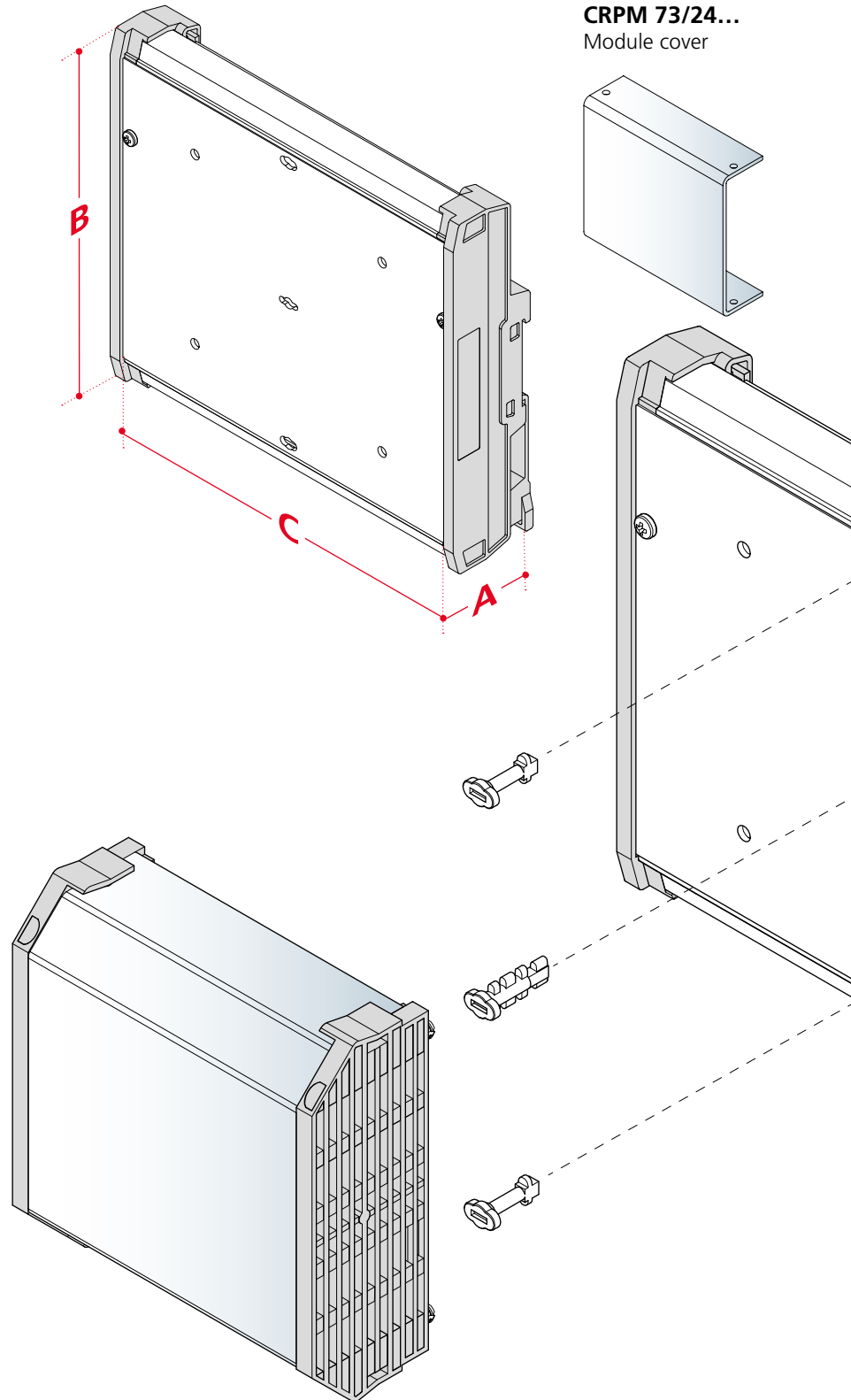
CRP 122...



CRP 122...



Design example



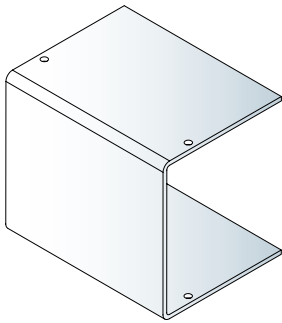


BOPLA

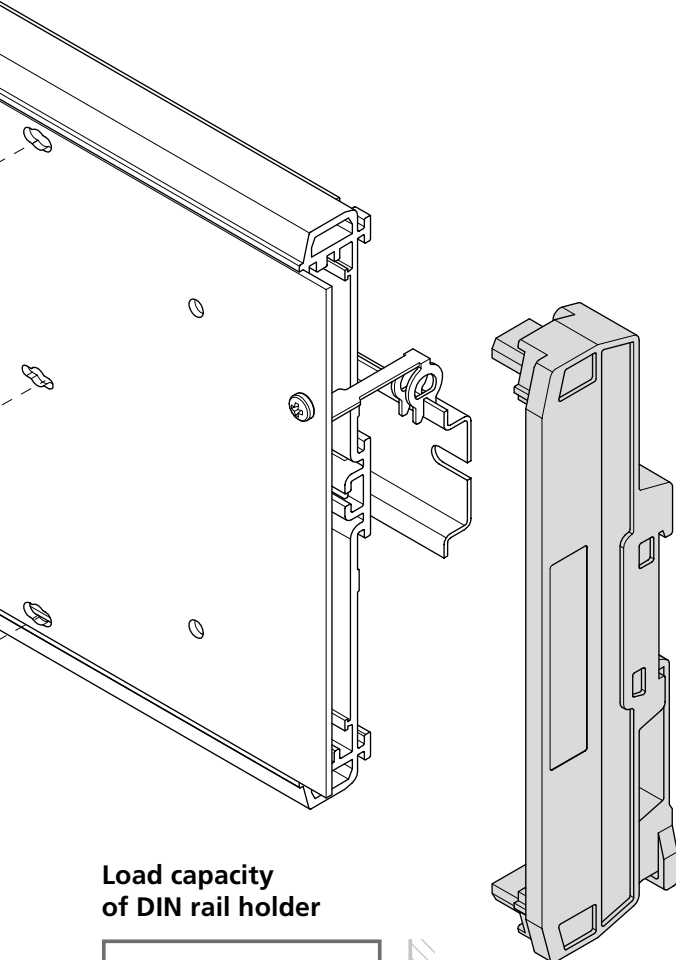
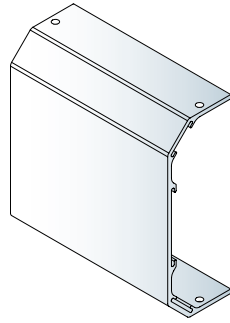
A Phoenix Mecano Company

Combirail

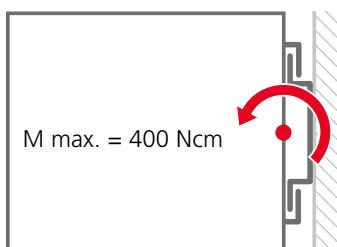
CRPM 73/63...
Module cover



CRPM 92/34...
Module cover



**Load capacity
of DIN rail holder**



Dimensions

Model	A	B	C
CRP 72-100	32.45	88.5	84
CRP 72-160	32.45	88.5	144
CRP 72-220	32.45	88.5	204
CRP 108-100	32.45	124	84
CRP 108-160	32.45	124	144
CRP 108-220	32.45	124	204
CRP 122-100	32.45	138.5	84
CRP 122-160	32.45	138.5	144
CRP 122-220	32.45	138.5	204

Accessories



Foot element



PE contact metals



Locking element for fixing the PCB



Wall brackets
for direct wall mounting



Cap set



Lateral elements

Combirail

Enclosure profiles



Basic profiles

Model	Order no.	A	B	C	b1	c1
CRP 72-100	67207100	32.45	88.5	84	72.5	101
CRP 72-160	67207160	32.45	88.5	144	72.5	161
CRP 72-220	67207220	32.45	88.5	204	72.5	221

Scope Of Delivery: Enclosure profile

Notes: C = profile length. Special lengths, hoods, front and mounting panels on request. Lateral elements under Accessories. Please mind the insertion surfaces.



Basic profiles

Model	Order no.	A	B	C	b1	c1
CRP 108-100	67210100	32.45	124	84	108	101
CRP 108-160	67210160	32.45	124	144	108	161
CRP 108-220	67210220	32.45	124	204	108	221

Scope Of Delivery: Enclosure profile

Notes: C = profile length. Special lengths, hoods, front and mounting panels on request. Lateral elements under Accessories. Please mind the insertion surfaces.

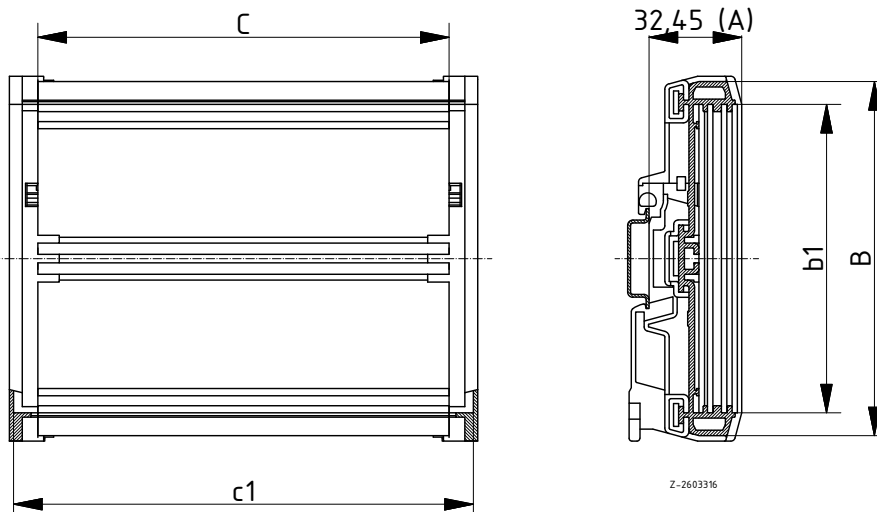


Basic profiles

Model	Order no.	A	B	C	b1	c1
CRP 122-100	67212100	32.45	138.5	84	122.5	101
CRP 122-160	67212160	32.45	138.5	144	122.5	161
CRP 122-220	67212220	32.45	138.5	204	122.5	221

Scope Of Delivery: Enclosure profile

Notes: C = profile length. Special lengths, hoods, front and mounting panels on request. Lateral elements under Accessories. Please mind the insertion surfaces.



Combirail

Cap sets & side elements

Module cap set for side closing of the module covers

Model	Order no.	Note
CRM 73/24	67307324	For CRPM 73/24-... (-E)
CRM 73/63	67307363	For CRPM 73/63-... (-E)
CRM 92/34	67309234	For CRPM 92/34-... (-E)

Scope Of Delivery: 1 set (2 pieces)



Lateral elements, polyamide

Model	Order no.	Note
CR 72-KS	67307100	For CRP 72
CR 108-KS	67310100	For CRP 108
CR 122-KS	67312100	For CRP 122

Scope Of Delivery: 2 lateral elements (right / left)



Combirail

Module covers



Module cover, crystal-clear, 24, 34 or 63 mm high

Model	Order no.	Note
CRPM 73/24-100	67273100	Dimensions in mm: 73 x 24 x 84
CRPM 73/24-100-E	67273101	Dimensions in mm: 73 x 24 x 70
CRPM 73/24-160	67273160	Dimensions in mm: 73 x 24 x 144
CRPM 73/24-160-E	67273161	Dimensions in mm: 73 x 24 x 130
CRPM 73/24-220	67273220	Dimensions in mm: 73 x 24 x 204
CRPM 73/24-220-E	67273221	Dimensions in mm: 73 x 24 x 190
CRPM 73/63-100	67273300	Dimensions in mm: 73 x 63 x 84
CRPM 73/63-100-E	67273301	Dimensions in mm: 73 x 63 x 70
CRPM 73/63-160	67273400	Dimensions in mm: 73 x 63 x 144
CRPM 73/63-160-E	67273401	Dimensions in mm: 73 x 63 x 130
CRPM 73/63-220	67273500	Dimensions in mm: 73 x 63 x 204
CRPM 73/63-220-E	67273501	Dimensions in mm: 73 x 63 x 190
CRPM 92/34-100	67292100	Dimensions in mm: 92 x 34 x 84
CRPM 92/34-100-E	67292101	Dimensions in mm: 92 x 34 x 70
CRPM 92/34-160	67292160	Dimensions in mm: 92 x 34 x 144
CRPM 92/34-160-E	67292161	Dimensions in mm: 92 x 34 x 130
CRPM 92/34-220	67292220	Dimensions in mm: 92 x 34 x 204
CRPM 92/34-220-E	67292221	Dimensions in mm: 92 x 34 x 190

Scope Of Delivery: 1 module cover

Notes: You must select CRPM.././...-E if one of the PE contact metals CR-EO, CR-EM or CR-EU is used. Additional lengths are available on request.

Combirail

Accessories

DIN rail foot elements, polyamide

Model	Order no.	Note
CR 72-R	67507200	For CRP 72
CR 108-R	67510200	For CRP 108
CR 122-R	67512200	For CRP 122

Scope Of Delivery: 1 foot element

Notes: Depending on the application at hand, the longer basic profiles will require an additional foot element to ensure the best-possible grip on the DIN rail.



PE contact metals

Model	Order no.	Note
CR-E0	67500301	For top PCB level
CR-EM	67500302	For middle PCB level
CR-EU	67500303	For bottom PCB level

Scope Of Delivery: 1 contact metal, 1 fixing screw (head diameter of 6 mm)

Notes: Mounting is effected by snapping into the lateral element. Contacting to the PCB is effected by means of the screw provided.



Locking elements for fixing the PCBs in place, polyamide

Model	Order no.	Note
CR-LF1	67300401	For top PCB level, lateral
CR-LF2	67300402	For top PCB level, central
CR-LF3	67300403	For middle PCB level, central
CR-LF4	67300404	For bottom PCB level, central

Scope Of Delivery: 10 pieces

Notes: Two locking elements for each enclosure are needed to fit the PCB in position on the top level.



Flange for direct wall mounting, polyamide

Model	Order no.
CR-WL	67300405

Scope Of Delivery: 1 set of wall mounting flanges (right/left)

Notes: PE contact metals cannot be fitted if the wall mounting flanges are used.

