

## The product advantages



With its two rows of stepped terminals, CombiNorm Compact provides a large number of connections in minimal width enclosures. In particular, this allows the positioning of modular systems with minimal space requirement on the DIN rail.



The stepped arrangement of the PCBs requires a matching PCB contour. Enclosure variants for applications with especially cost-effective rectangular PCBs are also available, one of which is designed as a universal enclosure without pre-specified terminal positions.



The PCB plug-in slot is positioned parallel to the front panel for the fitting of front operating elements etc.



The terminal blocks are designed specifically for use in CombiNorm Compact. In each case, 2-pole and 3-pole variants are available.



Front panels are mounted fixed or removable, as required. A transparent version allows a direct view into the interior of the enclosure.



**Quick-Finder:**  
[www.bopla.de/66](http://www.bopla.de/66)

## Examples of use



# CombiNorm- Compact



## Colour:

● Light grey, similar to RAL 7035

Special colours on request

## Protection class:

Enclosure: IP40 / DIN EN 60529

Enclosure: IP30 / DIN EN 60529 with ventilation slots

Terminal blocks: IP20 / DIN EN 60529

## Material:

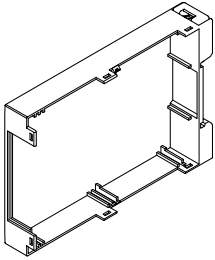
Enclosure: PA 6.6-FR (V-0)

For details see technical information.

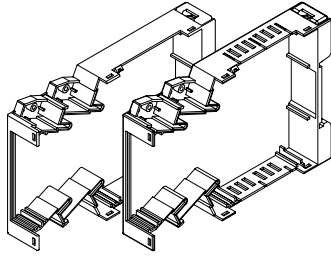


## Enclosure sizes

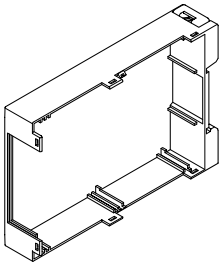
CN 19 GU



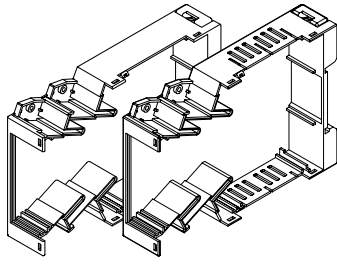
CN 19 GK / CN 19 GK-L



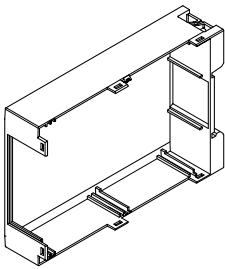
CN 22 GU



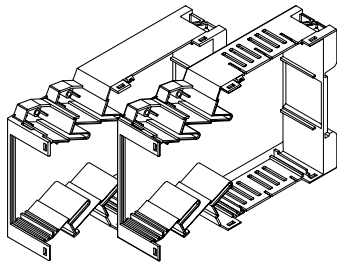
CN 22 GK / CN 22 GK-L



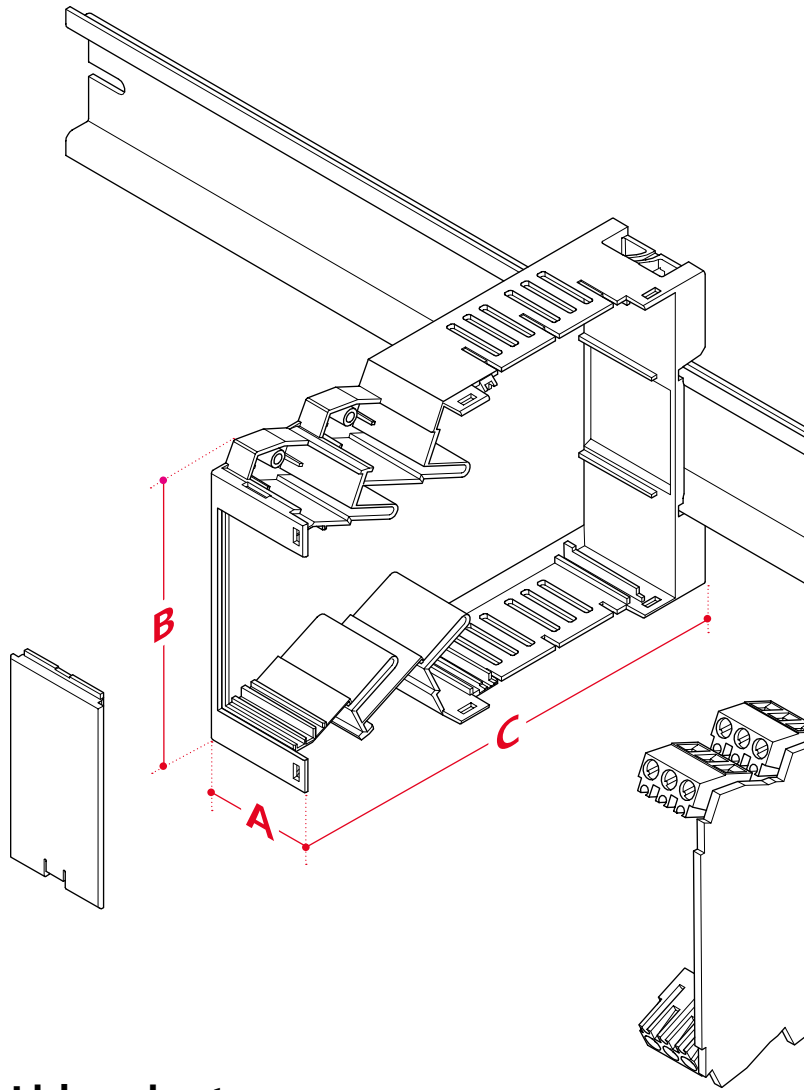
CN 26 GU



CN 26 GK / CN 26 GK-L

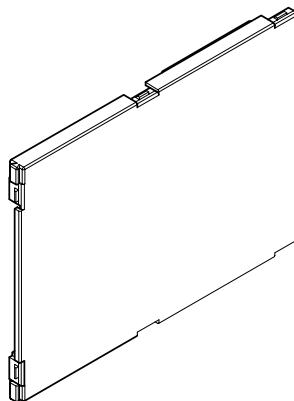


## Design example

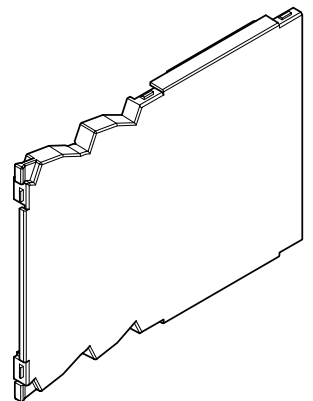


## Lid variants

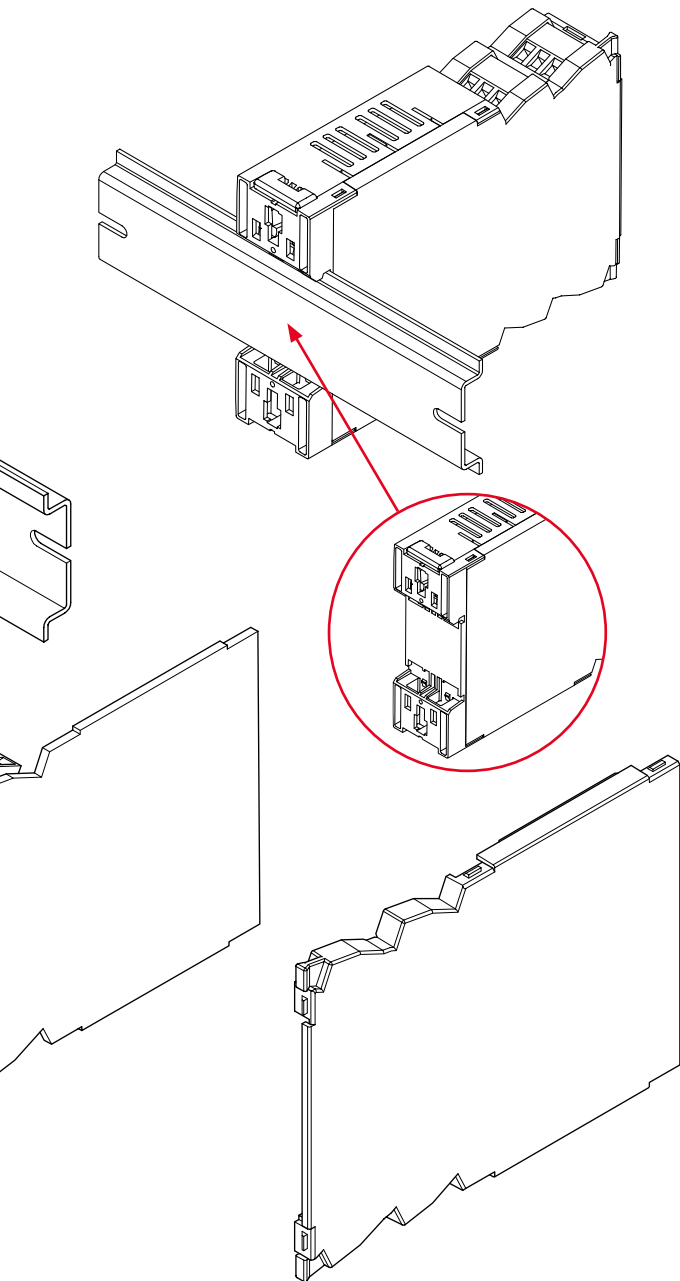
**CN-DU**  
for rectangular PCBs



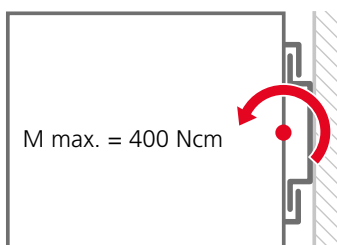
**CN-DK**  
for contoured PCBs



# CombiNorm-Compact



## Load capacity of DIN rail holder



## Dimensions

Model	A	B	C
CN 19 GK (-L) / GU	19	75	110.8
CN 22 GK (-L) / GU	22.5	75	110.8
CN 26 GK (-L) / GU	26	75	110.8

## Accessories



Marking plate for clipping onto upper and lower section of enclosure front



Covers for unused terminal locations for CN..GK (L) PA 6.6-FR



Terminal blocks



Front flap, snap-on, crystal-clear



Plug-in front panel, PA



Plug-in front panel, PA



Wall adapter for all CN-Compact enclosures



Terminal identification strip, self-adhesive

# CombiNorm-Compact

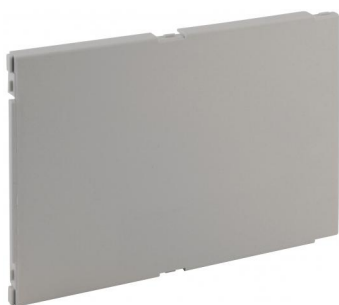
Enclosures for DIN rail acc. to DIN EN 60715 TH 35



## Enclosure shells

Model	Order no.	A	B	C	a1	a2
CN 19 GU	65019000	19	75	110.8	13	15
CN 22 GU	65022000	22.5	75	110.8	16.5	18.5
CN 26 GU	65026000	26	75	110.8	20	22

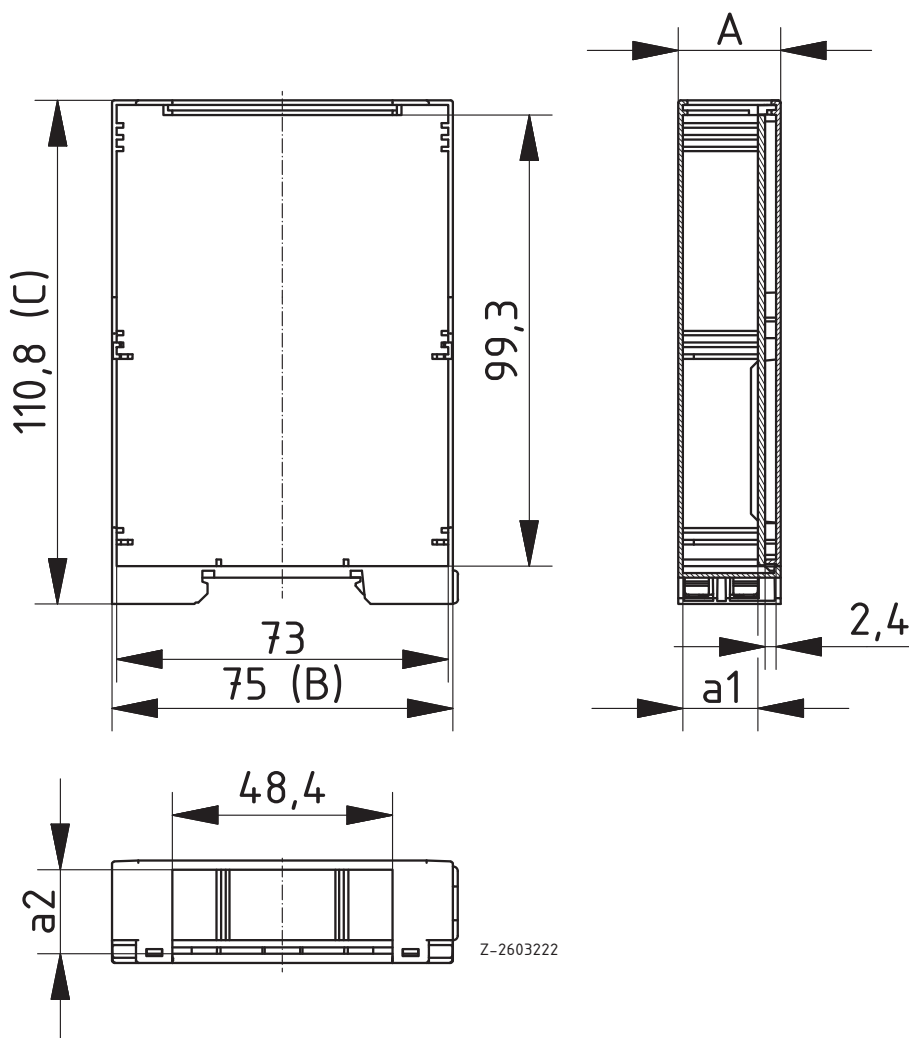
Scope Of Delivery: PU = 1 piece



## Universal enclosure lid for CN..GU and CN ..GK

Model	Order no.
CN-DU	65000100

Scope Of Delivery: PU = 1 piece



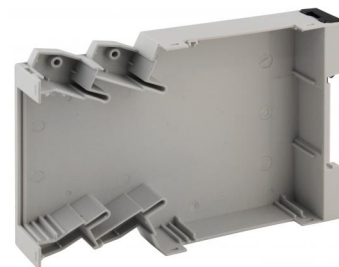
# CombiNorm-Compact

Enclosures contoured for DIN rail acc. to DIN EN 60715 TH 35

## Enclosure shells

Model	Order no.	A	B	C	a1	a2
CN 19 GK	65019100	19	75	110.8	13	15
CN 22 GK	65022100	22.5	75	110.8	16.5	18.5
CN 26 GK	65026100	26	75	110.8	20	22

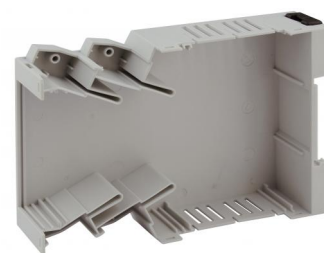
Scope Of Delivery: PU = 1 piece



## Enclosure shells with air vents

Model	Order no.	A	B	C	a1	a2
CN 19 GK-L	65019110	19	75	110.8	13	15
CN 22 GK-L	65022110	22.5	75	110.8	16.5	18.5
CN 26 GK-L	65026110	26	75	110.8	20	22

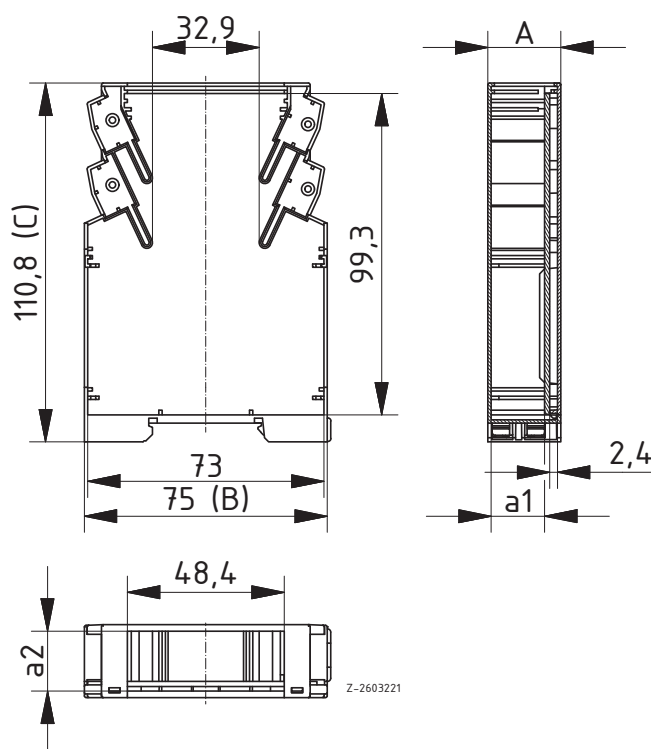
Scope Of Delivery: PU = 1 piece



## Contoured enclosure lid for CN..GK

Model	Order no.
CN-DK	65000200

Scope Of Delivery: PU = 1 piece



# CombiNorm-Compact

## Front panel



### Plug-in front panels, direction of insertion coded, PA 6.6-FR

Model	Order no.	Note
CN 19 FP	<b>65019500</b>	For CN 19
CN 22 FP	<b>65022500</b>	For CN 22
CN 26 FP	<b>65026500</b>	For CN 26

Scope Of Delivery: 1 front panel



### Front flaps, snap-on, PA 6.6-FR

Model	Order no.	Note
CN 19 FK	<b>65019600</b>	For CN 19
CN 22 FK	<b>65022600</b>	For CN 22
CN 26 FK	<b>65026600</b>	For CN 26

Scope Of Delivery: 1 front flap



### Front flaps, snap-on, crystal-clear, PC-FR

Model	Order no.	Note
CN 19 FKG	<b>65019700</b>	For CN 19
CN 22 FKG	<b>65022700</b>	For CN 22
CN 26 FKG	<b>65026700</b>	For CN 26

Scope Of Delivery: 1 front flap

# CombiNorm-Compact

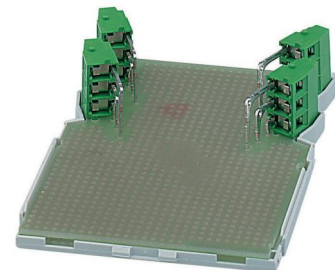
## Connection terminals

### Connection terminals, 2 and 3 poles, IP 20

Model	Order no.	Note
AK 8191/2DL	<b>66000052</b>	2-pole, on left of component side (seen from front), PCB vertical
AK 8191/2DR	<b>66000062</b>	2-pole, on right of component side (seen from front), PCB vertical
AK 8191/3DL	<b>66000072</b>	3-pole, on left of component side (seen from front), PCB vertical
AK 8191/3DR	<b>66000082</b>	3-pole, on right of component side (seen from front), PCB vertical

**Scope Of Delivery:** 1 connection terminal

Rated cross-section:	2.5 mm <sup>2</sup>
Max. conductor cross-section:	single-wire (rigid) 0.2 – 4 mm <sup>2</sup> , fine-strand (flexible) 0.2 – 2.5 mm <sup>2</sup>
Rated current:	16 A
Rated voltage acc. to VDE 110/01.89:	250V/4KV/3 overvoltage category III 690V/4KV/2 overvoltage category II (max. 600 V for earthed equipment or expected overvoltage) 1000V/4KV/1 overvoltage category I
Dimensions:	Pitch 5.0 mm Drill hole Ø 1.3 mm Wire stripping length 6.5 mm
Colour:	Green, similar to RAL 6017
Materials:	Insulating material: PA, inflammability class UL 94 V0 Contact bow: tinned ETP copper Soldering pin: tinned ETP copper





# CombiNorm-Compact

## Accessories



### Marking plate for clipping onto upper and lower section of enclosure front, polycarbonate

Model	Order no.
CN-BZ	66000022

Scope Of Delivery: 1 marking plate



### Covers for unused terminal locations for CN..GK (L), PA 6.6-FR

Model	Order no.	Note
CN-BL 1	66000032	1-pole
CN-BL 2	66000042	2-pole

Scope Of Delivery: 1 cover



### Terminal identification strip, self-adhesive

Model	Order no.
AK-BS	66000100

Scope Of Delivery: Terminal identification strip AK-BS



### Wall adapter for all CombiNorm-Compact enclosures

Model	Order no.	Note
CN-WA	66000012	DIN rail DIN EN 60715 TH 35

Scope Of Delivery: 1 adapter

Notes: For individual mounting on wall surfaces. Matches all types.



**BOPLA**

A Phoenix Mecano Company