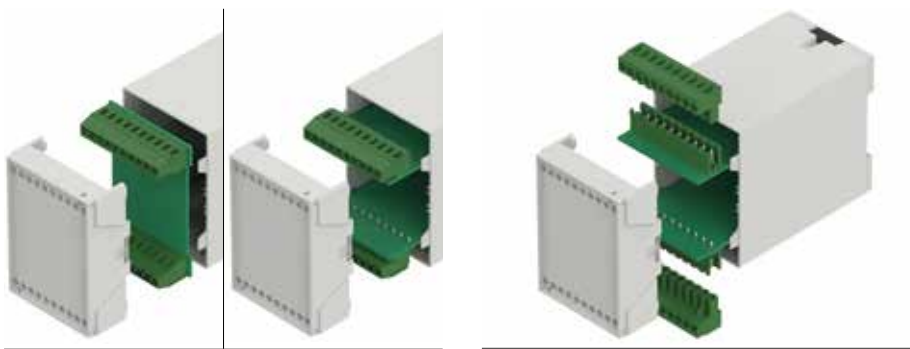


## The product advantages



CombiNorm Classic is an enclosure system with a very functional design and for mounting on DIN rails acc. to DIN EN 60715 TH 35. The cuboid shape provides an optimally usable interior coupled with a compact design.

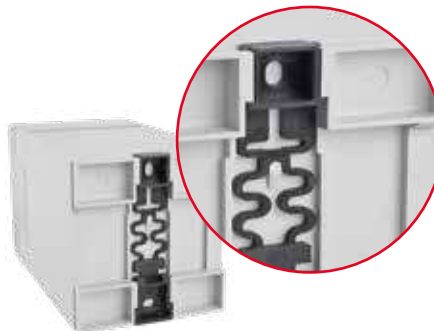


Screw-type terminals matched to the enclosure support two different installation situations for PCBs: inserted horizontally, and mounted parallel to the enclosure front.

A plug-in solution exists for horizontal PCBs and is used for extra-fast replacement of defective devices during servicing. Note that the STL-adaptor CNA 100 must be fitted in order to support the PCB.



The enclosure front can be covered with a transparent hood which protects sensitive operating elements. This can be opened upwards or downwards, according to choice, or completely removed.



CombiNorm Classic is also suitable for direct wall mounting. To do this, simply rotate the DIN rail adapter by 180°.



**Quick-Finder:**  
[www.bopla.de/65](http://www.bopla.de/65)

## Examples of use



# CombiNorm-Classic



## Colour:

● Light grey, similar to RAL 7035

Special colours on request

## Protection class:

Enclosure: IP40 / DIN EN 60529

Terminal blocks: IP20 / DIN EN 60529

## Material:

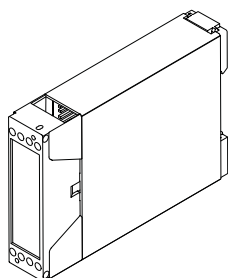
Enclosure: ABS, V-0 material on request

For details see technical information.

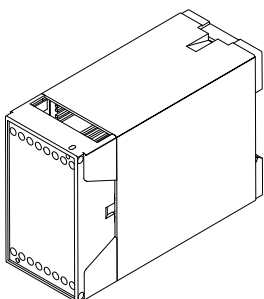


## Enclosure sizes

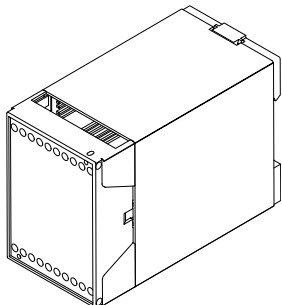
CN 22 AK



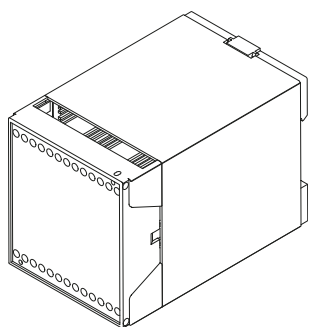
CN 45 AK



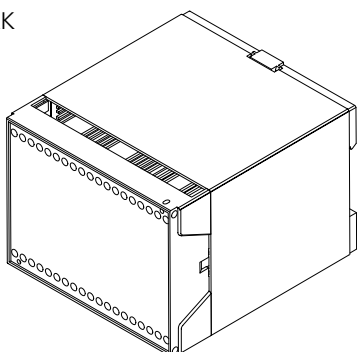
CN 55 AK



CN 70 AK

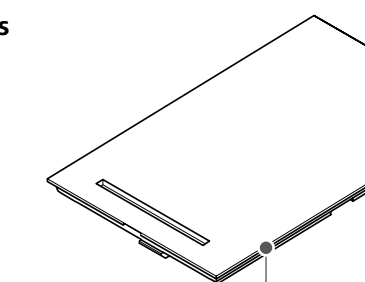
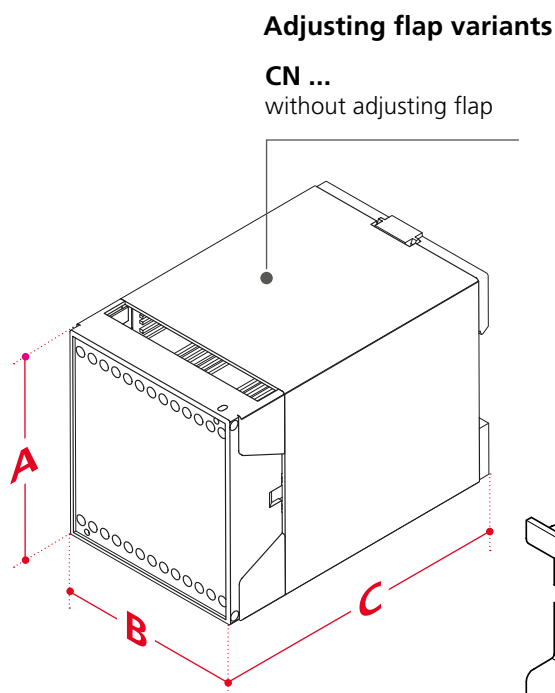


CN 100 AK

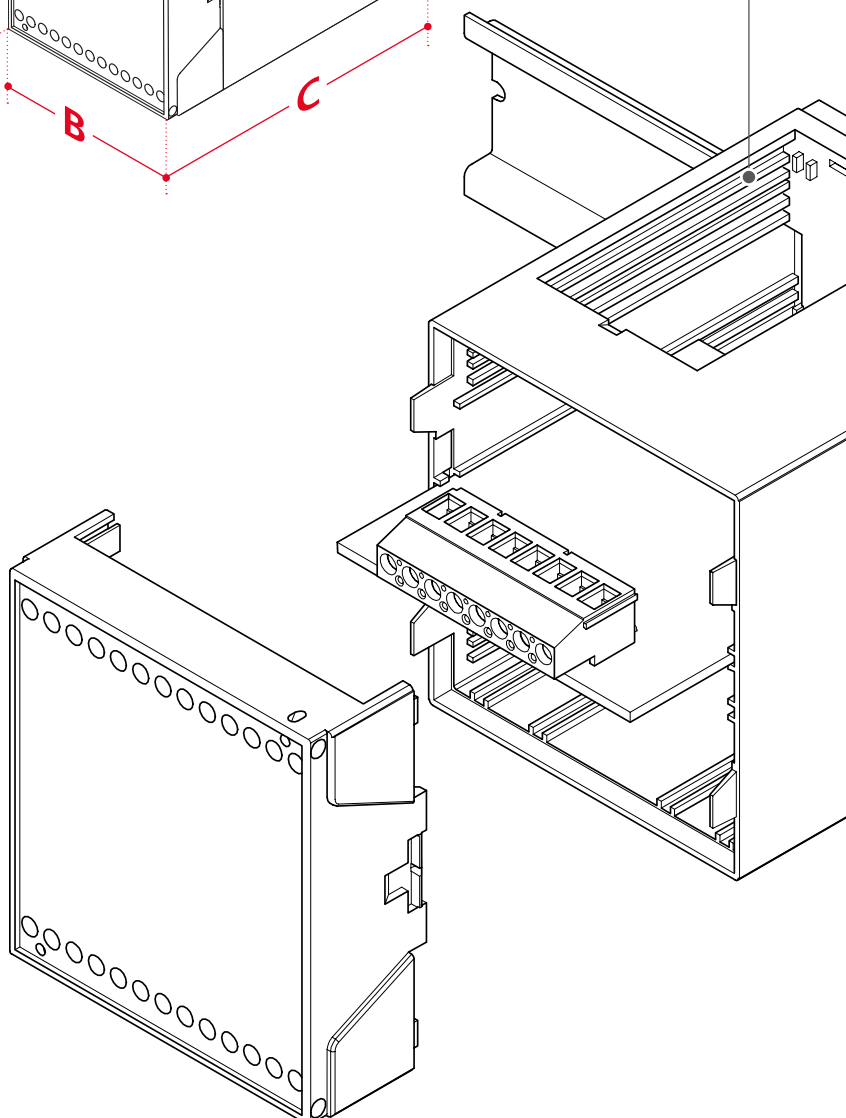


## Design example

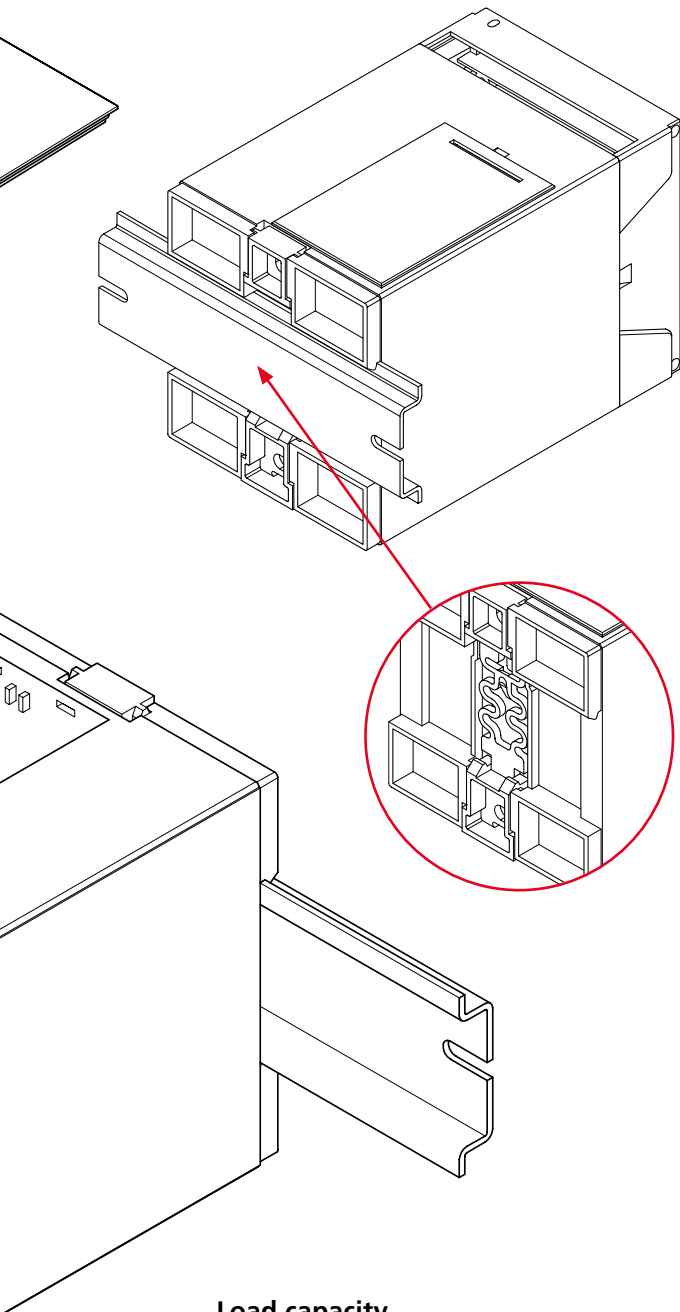
Basic profile



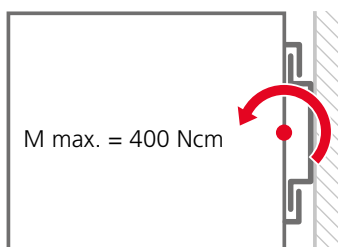
CNS ...  
with adjusting flap



# CombiNorm-Classic



## Load capacity of DIN rail holder



## Dimensions

Model	A	B	C
CN(S) 22 AK	22.5	75	109.5
CN(S) 45 AK	45	75	109.5
CN(S) 55 AK	55	75	109.5
CN(S) 70 AK	70	75	109.5
CN(S) 100 AK	100	75	109.5

## Accessories



Connection terminals for front-insertable parallel and horizontal PCBs, and connector strips for soldering onto horizontally-inserted PCBs.



Hinged hoods



Terminal identification strip, self-adhesive



Blind plate for covering unused terminal locations, 19 parts, can be broken off

# CombiNorm-Classic

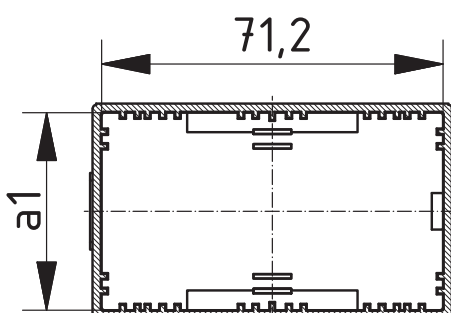
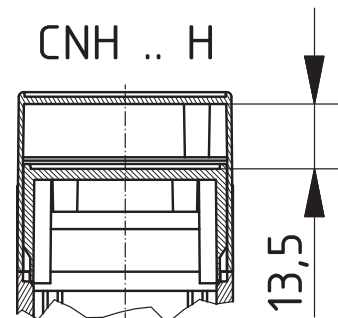
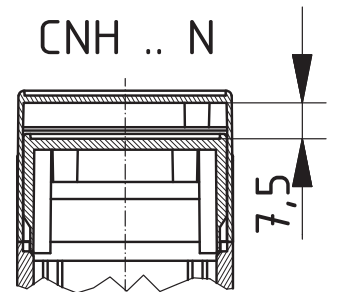
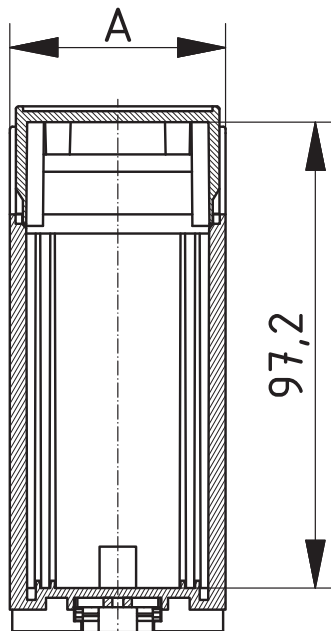
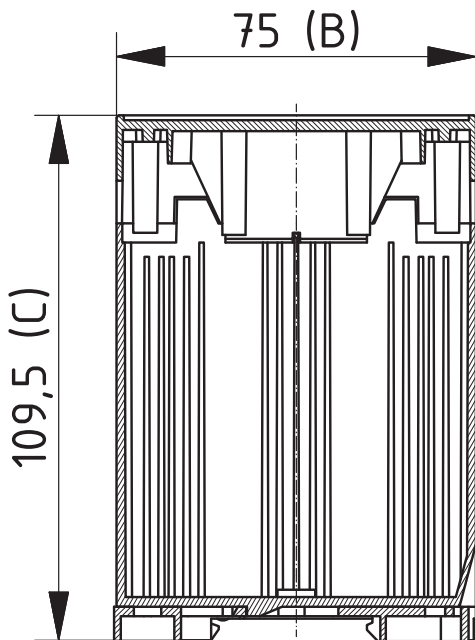
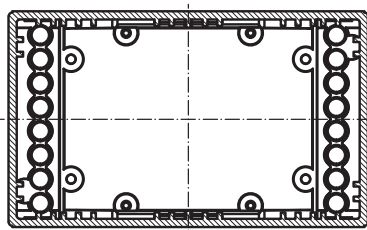
Enclosures for DIN rail acc. to DIN EN 60715 TH 35



## Enclosure

Model	Order no.	A	B	C	a1
CN 22 AK	65002210	22.5	75	109.5	18.7
CN 45 AK	65004510	45	75	109.5	41.2
CN 55 AK	65005510	55	75	109.5	51.2
CN 70 AK	65007010	70	75	109.5	66.2
CN 100 AK	65010010	100	75	109.5	96.2

Scope Of Delivery: Lid, base with latch (mounted)



Z-2603223

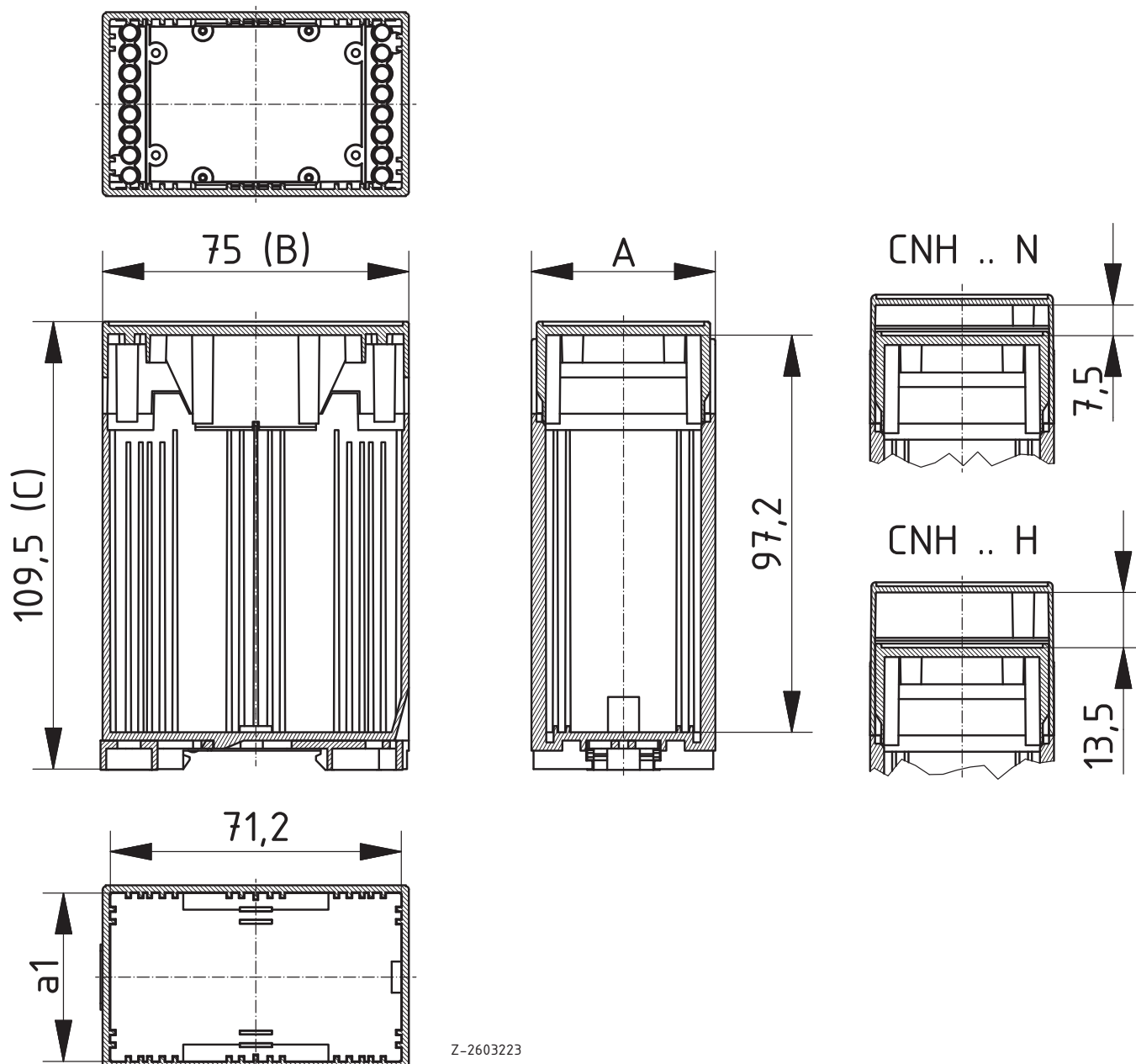
# CombiNorm-Classic

Enclosure with adjusting flap

## Enclosure with adjusting flap

Model	Order no.	A	B	C	a1
CNS 22 AK	65002230	22.5	75	109.5	18.7
CNS 45 AK	65004530	45	75	109.5	41.2
CNS 55 AK	65005530	55	75	109.5	51.2
CNS 70 AK	65007030	70	75	109.5	66.2
CNS 100 AK	65010030	100	75	109.5	96.2

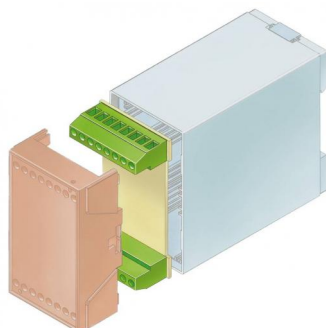
Scope Of Delivery: Lid, base with latch (mounted), adjusting flap



Z-2603223

# CombiNorm-Classic

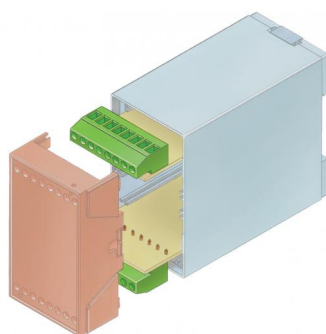
## Connection terminals



### Connection terminals for circuit boards which are parallel to the front side

Model	Order no.	Colour	Note
AK 700/2V	66002000	Green	2-pole
AK 700/3V	66003000	Green	3-pole
AK 700/4V	66004000	Green	4-pole
AK 700/8V	66008000	Green	8-pole
AK 700/10V	66010000	Green	10-pole
AK 700/13V	66013000	Green	13-pole
AK 700/19V	66019000	Green	19-pole

Scope Of Delivery: 1 connection terminal



### Connection terminals for horizontally-inserted PCBs

Model	Order no.	Colour	Note
AK 700/2H	66004110	Green	2-pole
AK 700/3H	66003100	Green	3-pole
AK 700/4H	66004100	Green	4-pole
AK 700/8H	66008100	Green	8-pole
AK 700/10H	66010100	Green	10-pole
AK 700/13H	66013100	Green	13-pole
AK 700/19H	66019100	Green	19-pole

Scope Of Delivery: 1 connection terminal

Ratings acc. to EN 60998 for AK 700/..V and AK 700/..H

Rated voltage	250 V
Rated current	24 A (T60)
Conductor cross-section	2.5 mm <sup>2</sup>
Test voltage	2.0 kV
Torque / screw size	0.5 Nm/M3

Maximum conductor cross-section

Single-wire (rigid)	4.0 mm <sup>2</sup>
Fine-strand (flexible)	2.5 mm <sup>2</sup>

Materials

Insulating material	PA
Inflammability class	UL 94 V-0
Temperature range	-30 °C / + 105 °C
Terminal clamp	CuZn
Soldering tag	Cu

Dimensions

Pitch	5.0 mm
Drill hole diameter	1.3 mm
Wire stripping length	8.0 mm

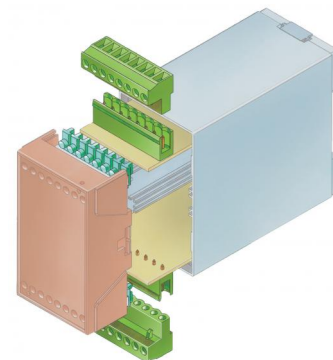
# CombiNorm-Classic

## Connection terminals

### Connection terminal for STL 950

Model	Order no.	Colour	Note
AK 950/4	<b>66004600</b>	Green	4-pole
AK 950/8	<b>66008600</b>	Green	8-pole
AK 950/10	<b>66010600</b>	Green	10-pole
AK 950/13	<b>66013600</b>	Green	13-pole
AK 950/19	<b>66019600</b>	Green	19-pole

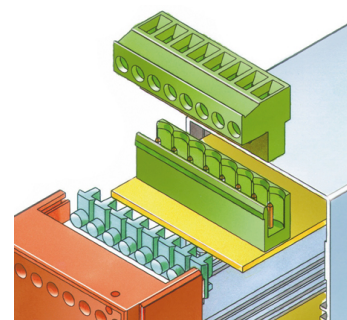
Scope Of Delivery: 1 connection terminal



### Connector strip for soldering on horizontally-inserted PCBs

Model	Order no.	Note
STL 950/4V	<b>66004500</b>	4-pole
STL 950/8V	<b>66008500</b>	8-pole
STL 950/10V	<b>66010500</b>	10-pole
STL 950/13V	<b>66013500</b>	13-pole
STL 950/19V	<b>66019500</b>	19-pole

Scope Of Delivery: 1 connector strip



Ratings acc. to EN 60998 for AK 700/..V and AK 700/..H

Rated voltage	250 V
Rated current	24 A (T60)
Conductor cross-section	2.5 mm <sup>2</sup>
Test voltage	2.0 kV
Torque / screw size	0.5 Nm/M3

Maximum conductor cross-section

Single-wire (rigid)	4.0 mm <sup>2</sup>
Fine-strand (flexible)	2.5 mm <sup>2</sup>

Materials

Insulating material	PA
Inflammability class	UL 94 V-0
Temperature range	-30 °C / + 105 °C
Terminal clamp	CuZn
Soldering tag	Cu

Dimensions

Pitch	5.0 mm
Drill hole diameter	1.3 mm
Wire stripping length	8.0 mm



# CombiNorm-Classic

## Accessories



### Hinged hood, crystal-clear, 9 mm high, polycarbonate

Model	Order no.	Note
CNH 22 N	65002260	For CN(S) 22 AK
CNH 45 N	65004560	For CN(S) 45 AK
CNH 55 N	65005560	For CN(S) 55 AK
CNH 70 N	65007060	For CN(S) 70 AK
CNH 100 N	65010060	For CN(S) 100 AK

Scope Of Delivery: 1 hood



### Hinged hood, crystal-clear, 15 mm high, polycarbonate

Model	Order no.	Note
CNH 22 H	65002250	For CN(S) 22 AK
CNH 45 H	65004550	For CN(S) 45 AK
CNH 55 H	65005550	For CN(S) 55 AK
CNH 70 H	65007050	For CN(S) 70 AK
CNH 100 H	65010050	For CN(S) 100 AK

Scope Of Delivery: 1 hood



### Terminal identification strip, self-adhesive

Model	Order no.
AK-BS	66000100

Scope Of Delivery: Terminal identification strip AK-BS



### Blind plate for covering unused terminal locations, 19 parts, can be broken off

Model	Order no.
CNB 100	65010070

Scope Of Delivery: 2 pieces



### Adapter plate for fitting circuit boards and closing the screw openings with the use of STL 950, 20 parts, can be broken off

Model	Order no.
CNA 100	65010100

Scope Of Delivery: 2 pieces



**BOPLA**

A Phoenix Mecano Company