

Product benefits



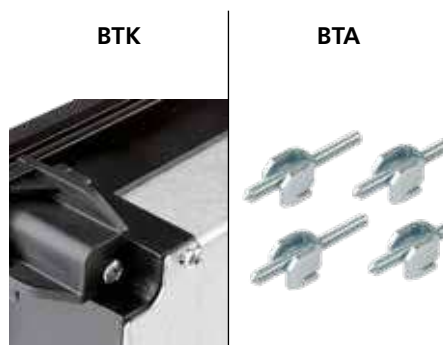
BoTouch is designed as a control panel mounting enclosure especially for the integration of touch displays. The plastic version of BTK stands out thanks to its cost-effectiveness, and the milled-aluminium BTA provides plenty of design opportunities for specific projects.



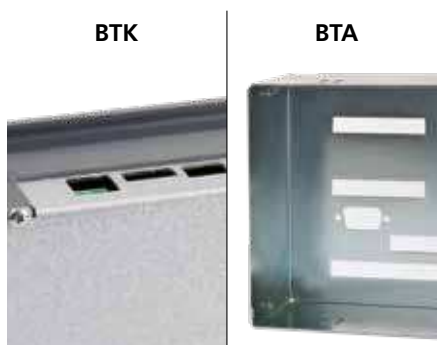
A continuous seal and suitable assembly give the entire enclosure front protection class IP65 towards the control panel. The BTK-IP variant provides this all the way round.



Integration of the display is project-specific and is carried out with BOPLA's own trademarked mounting process. The individual design of front membranes and cover glasses is part of the scope of delivery.



Clamps ensure that the enclosure fits securely in the control panel.



Depending on customer requirements, the sturdy galvanised sheet steel rear hood can be supplied with break-throughs for connectors and operating elements. Printing of the hood is also an option.



Quick-Finder:
www.bopla.de/78

Examples of use





BOPLA

A Phoenix Mecano Company

BoTouch



Colour:

- Black BTK*: similar RAL 9005
- Colour BTA**: customer specific
- * BTK = BoTouch plastic
- ** BTA = BoTouch aluminium

Protection class:

- BTK-IP: IP 65/DIN EN 60529
- BTK / BTA: up to IP 65/DIN EN 60529 to the built-in front

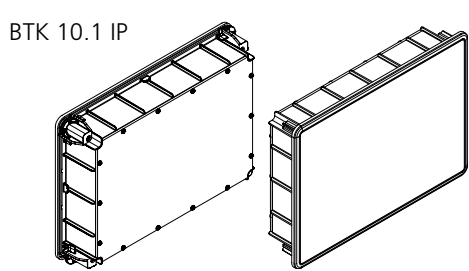
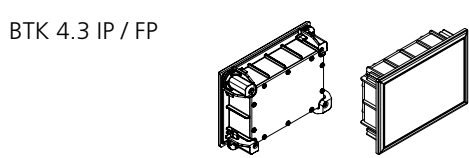
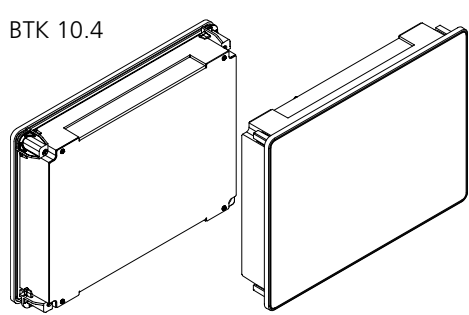
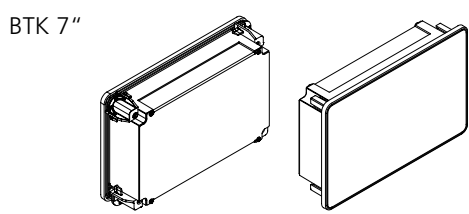
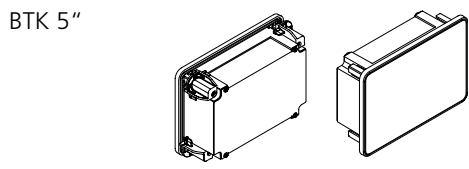
Material:

- Rear hood: galvanised sheet steel
- Rear panel: aluminium anodised
- BTK enclosure frame: PC UL 94 V-0
- PC UL 94 V-0 material corresponds to the requirement set R 22 according to DIN EN 45545-2 of HL3 hazard level.
- BTK-IP enclosure frame: PA 6.6 GF 30 UL 94 V-0
- BTA front frame: aluminium anodised or powder-coated
- Seal: PU foamed

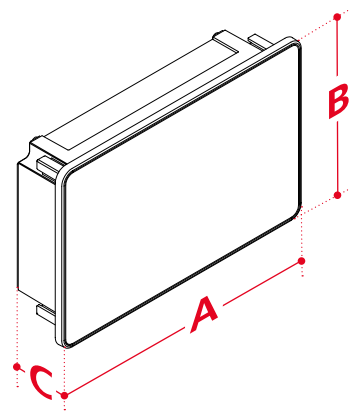
For details see technical information.



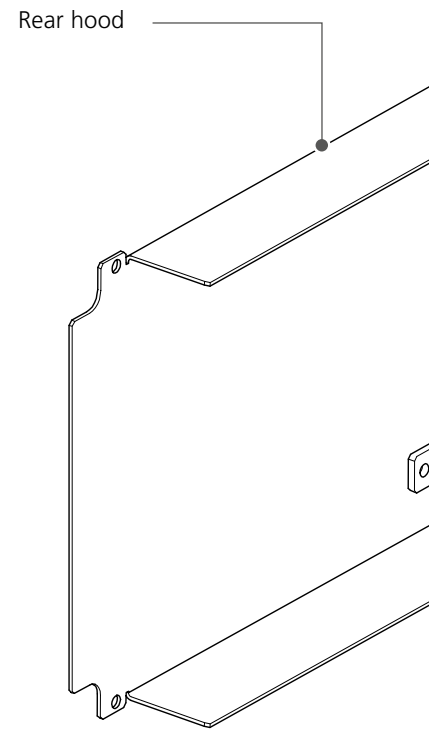
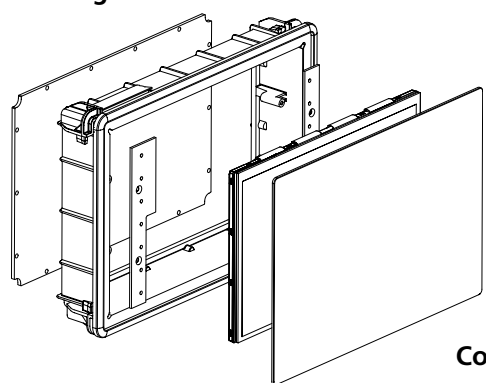
Enclosure sizes BTK



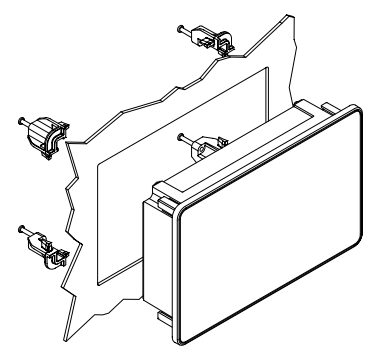
Design example



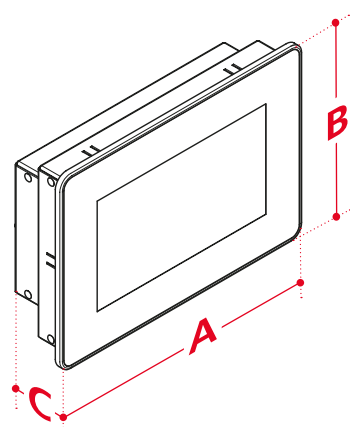
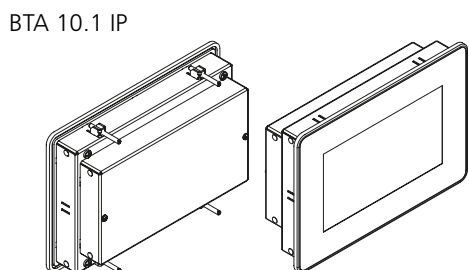
IP design



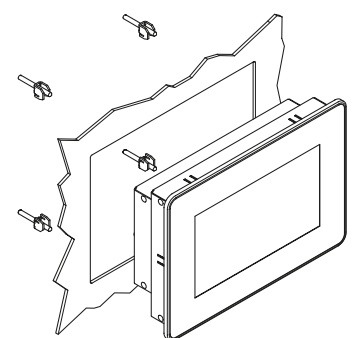
Control panel mounting



Enclosure sizes BTA



Control panel mounting





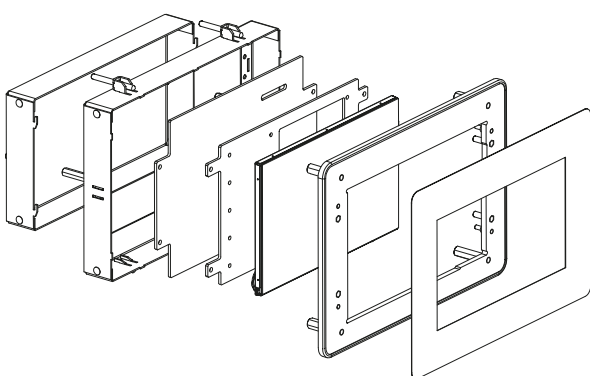
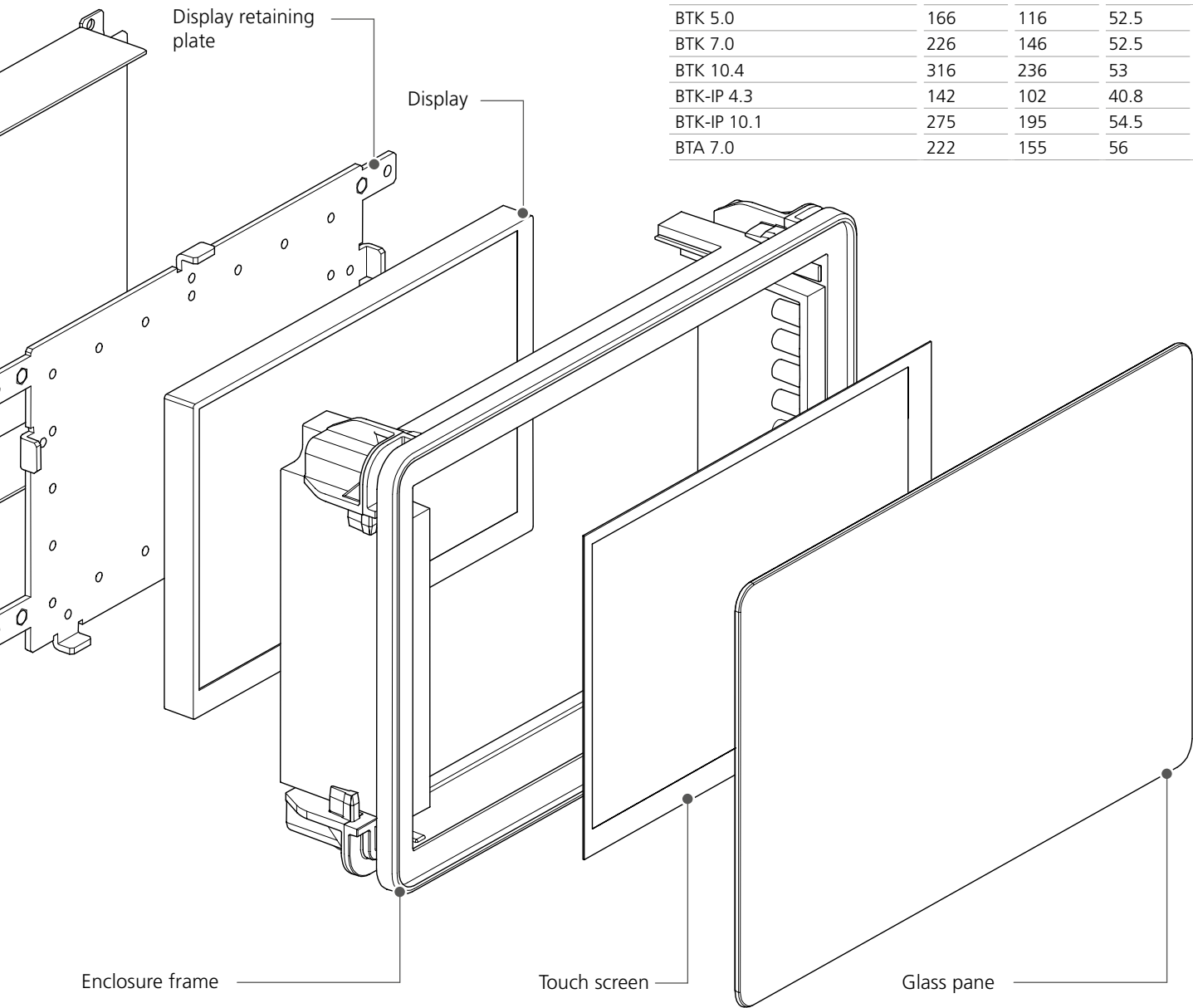
BOPLA

A Phoenix Mecano Company

BoTouch

Dimensions

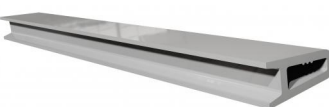
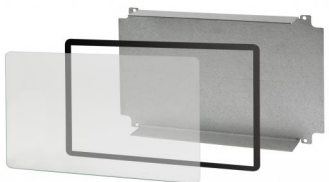
Model	A	B	C
BTK 5.0	166	116	52.5
BTK 7.0	226	146	52.5
BTK 10.4	316	236	53
BTK-IP 4.3	142	102	40.8
BTK-IP 10.1	275	195	54.5
BTA 7.0	222	155	56



The enclosures are manufactured individually according to requirements and matched to the display dimension which you require.

BoTouch

Plastic



BoTouch plastic, set

Model	Order no.	A	B	C	Display max.
BTK 5.0-9005 Set	78010505.S1	166	116	52.5	5"
BTK 7.0-9005 Set	78010705.S1	226	146	52.5	7"
BTK 10.4-9005 Set	78011045.S1	316	236	53	10.4"

Scope Of Delivery: - 1 enclosure frame with foamed seal - 4 clamps incl. screws - 4 screws for rear hood fixing - 1 glass pane, 2 mm, unprinted (chemical anti-reflection coating), 1 stick-on frame to fix the glass pane - 1 rear hood (closed), 1 mm, installation version, galvanised sheet steel, corrosion-protected

BoTouch plastic, set for control panel mounting with aluminium front panel

Model	Order no.	A	B	C	Display max.
BTK 5.0-9005 FP Set	78010505.S2	166	116	52.5	5"
BTK 7.0-9005 FP Set	78010705.S2	226	146	52.5	7"
BTK 10.4-9005 FP Set	78011045.S2	316	236	53	10.4"

Scope Of Delivery: - 1 enclosure frame with foamed seal · 4 clamps incl. screws - 4 screws for rear hood fixing - 1 front panel, 2 mm, anodised aluminium, 1 stick-on frame for fixing front panel - 1 rear hood (closed), 1 mm, installation design, galvanised sheet steel, corrosion-protected

BoTouch front frame, plastic (PC UL 94 V0), black (similar to RAL 9005)

Model	Order no.	A	B	C	Display max.
BTK 5.0-9005	78010505	166	116	52.5	5"
BTK 7.0-9005	78010705	226	146	52.5	7"
BTK 10.4-9005	78011045	316	236	53	10.4"

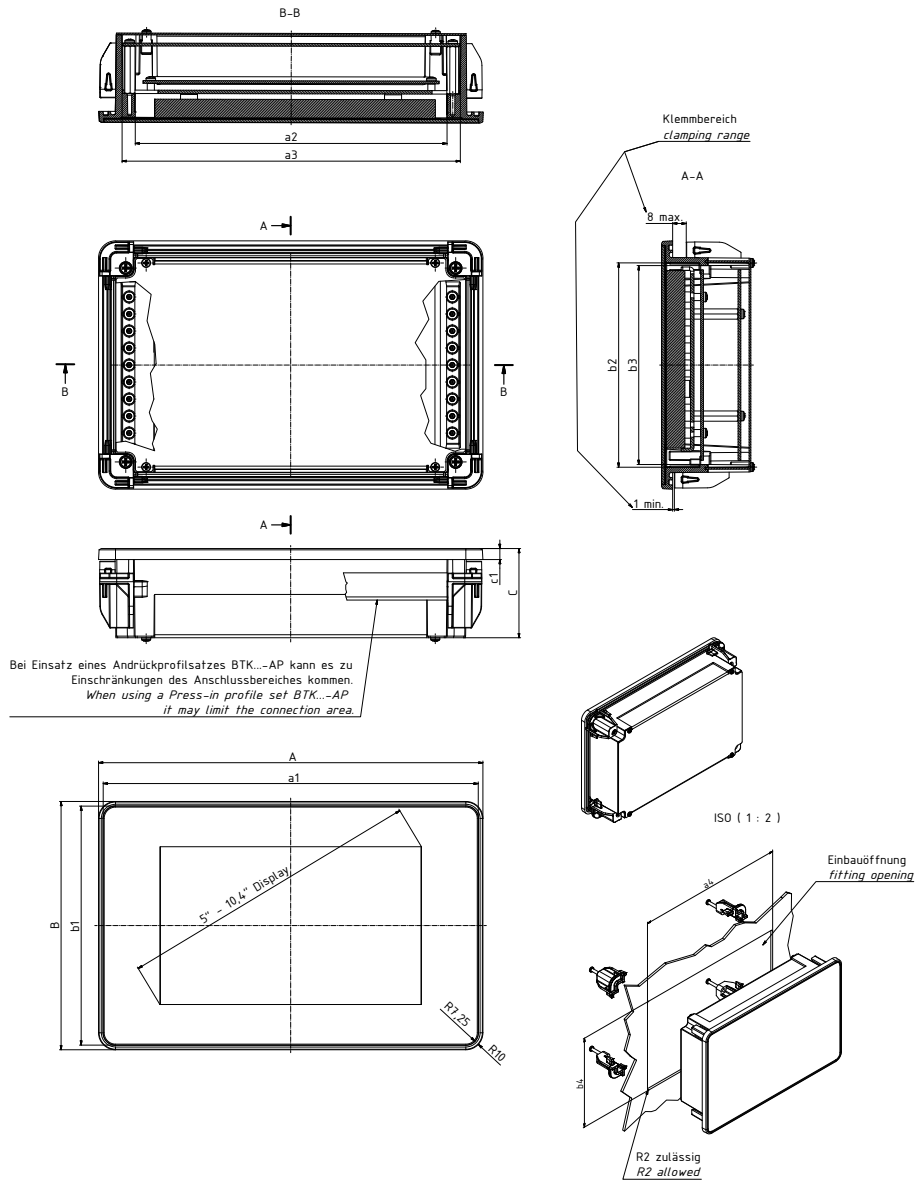
Scope Of Delivery: 1 enclosure frame with foamed seal, 4 clamps incl. screws, 4 screws for rear hood fixing

BoTouch press-in profile set

Model	Order no.	Note
BTK 5.0-AP	78080500	For BTK 5.0-9005
BTK 7.0-AP	78080700	For BTK 7.0-9005
BTK 10.4-AP	78081040	For BTK 10.4-9005

Scope Of Delivery: 2 profiles for longitudinal side mounting, 2 profiles for short-side mounting (only BTK 10.4)

Notes: Recommended for thin / delicate installation areas and IP protection requirement.



Modell / Model	Maßtabelle /												
	A	a1	a2	a3	a4	B	b1	b2	b3	b4	C	c1	
BoTouch-Kst 5,0"	166	160	123,3	138,9	14,8	116	110	90,15	86,9	98	52,5	6,5	
BoTouch-Kst 7,0"	226	220	183,3	198,9	20,8	146	140	120,15	116,9	128	52,5	6,5	
BoTouch-Kst 10,4"	316	310	271,3	287,9	29,8	236	230	208,15	204,9	218	53	7	

BoTouch

Plastic IP 65



BoTouch plastic, ingress protection IP 65, set

Model	Order no.	A	B	C	Display max.
BTK-IP 4.3-9005 Set	78010435.S1	142	102	40.8	4.3"
BTK-IP 10.1-9005 Set	78011015.S1	275	195	54.5	10.1"

Scope Of Delivery: - 1 enclosure frame with foamed seals - 4 clamps incl. screws - screws for rear panel fixing - 1 glass pane, 1.6 mm (BTK 4.3-IP) or 2 mm (BTK 10.1-IP), unprinted, (chemical anti-reflection coating) - 1 stick-on frame to fix the glass pane - rear panel, 3 mm, anodised aluminium with foamed seals



BoTouch plastic, protection class IP 65, set for control panel mounting with aluminium front panel

Model	Order no.	A	B	C	Display max.
BTK-IP 4.3-9005 FP Set	78010435.S2	142	102	40.8	4.3"
BTK-IP 10.1-9005 FP Set	78011015.S2	275	195	54.5	10.1"

Scope Of Delivery: - 1 enclosure frame with foamed seals · 4 clamps incl. screws - Screws for rear panel fitting - 1 front panel, anodised aluminium, 1.5 mm (BTK 4.3-IP) or 2 mm (BTK 10.1-IP) - 1 stick-on frame for fixing front panel - 1 rear panel, 3 mm, anodised aluminium



BoTouch front frame, plastic (PA 6.6 GF 30 UL 94 V0), ingress protection IP 65, black (similar to RAL 9005)

Model	Order no.	A	B	C	Display max.
BTK 4.3-IP-9005	78010435	142	102	40.8	4.3"
BTK 10.1-IP-9005	78011015	275	195	54.5	10.1"

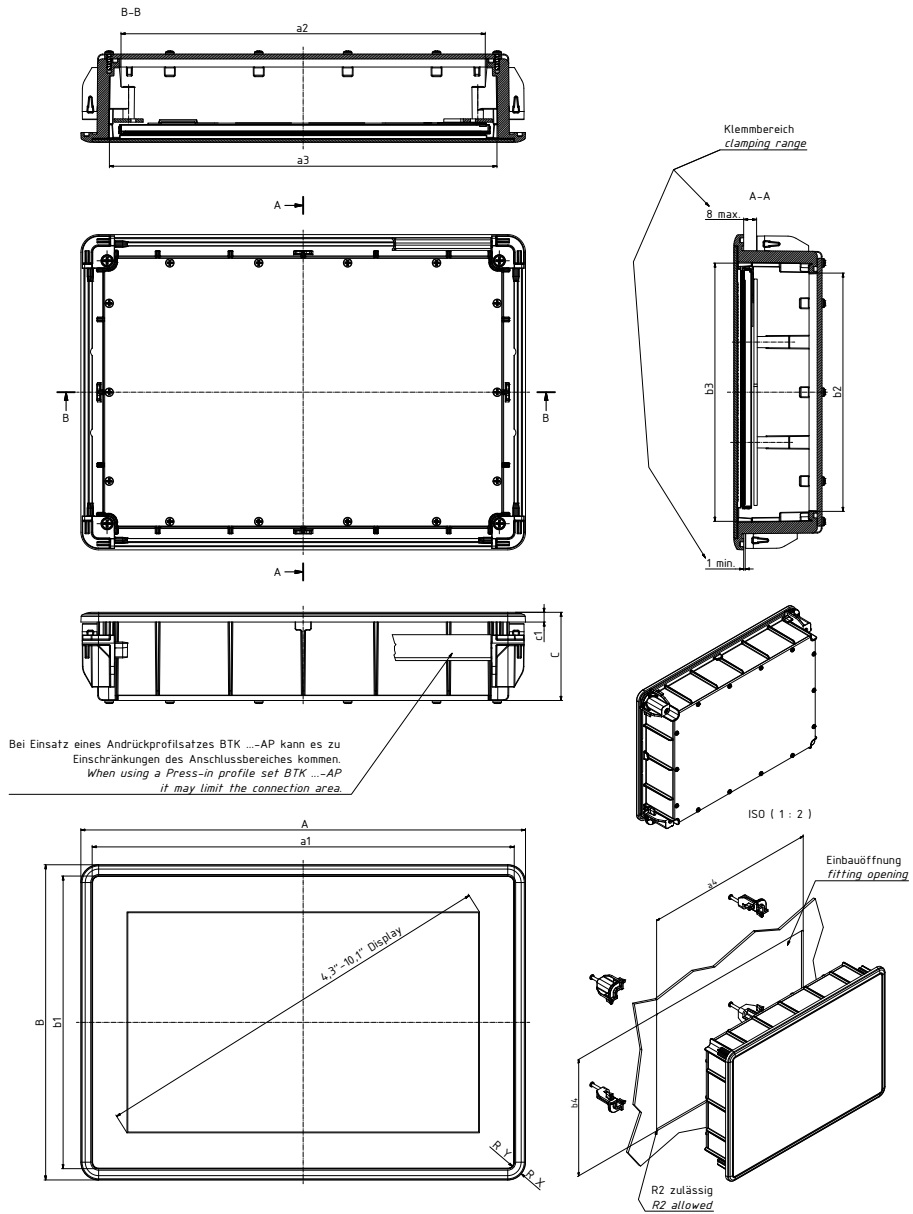
Scope Of Delivery: 1 enclosure frame, 4 clamps incl. screws, screws for rear panel fixing



BoTouch press-in profile set

Model	Order no.	Note
BTK 10.1-AP	78081010	For BTK 10.1-IP-9005

Scope Of Delivery: 2 profiles for longitudinal side mounting, 2 profiles for short-side mounting



Modell / Model	Maßtabelle /													
	A	a1	a2	a3	a4	B	b1	b2	b3	b4	c	c1	R X	R Y
BoTouch-Kstf 4,3"-IP	142	126,8	94,9	107,4	125	102	87,3	56,9	69,6	85	40,8	5,3	R2	R0
BoTouch-Kstf 10,1"-IP	275	261	225,3	239,7	256,5	195	181	147,4	159,7	176,5	54,5	6	R11	R4