

The product advantages



The different variants: With and without wall brackets, and screwing from the front and behind.



Pressure compensation by mounting the DAE-D11 pressure compensation membrane. For this purpose, drill (or punch) a hole in the moulded contour from the inside and glue the membrane in position.



Ingress protection IP65 by means of design seal; available in various colours. This increases the mounting height for the electronics by approx. 1.7 mm.



Other colours can be used depending on the project, for example translucent.



A 1.6 mm thick PCB can be clamped directly between the enclosure parts and optionally hot-caulked via two pins.



Quick-Finder:
www.bopla.de/16

Examples of use





BOPLA

A Phoenix Mecano Company

BoLink



Colour:

● Black, similar to RAL 9005

○ White, similar to RAL 9003

Special colours on request

Protection class:

IP40, with seal: IP65 DIN EN 60529

Material:

Enclosure: PC V-0

PC V-0 material is flame-resistant, self-extinguishing and suitable for outdoor use (f1 listing acc. to UL 746C).

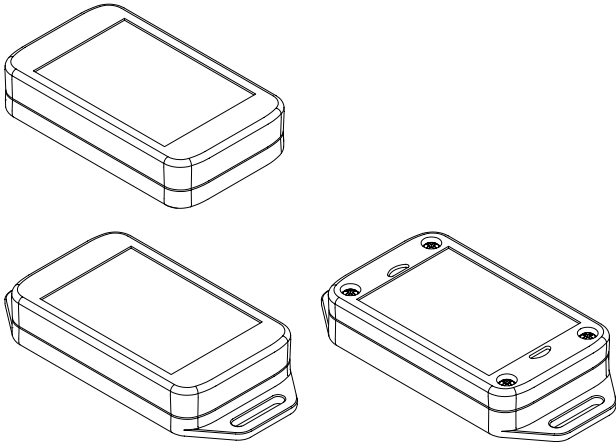
Seal: TPE

For details see technical information.

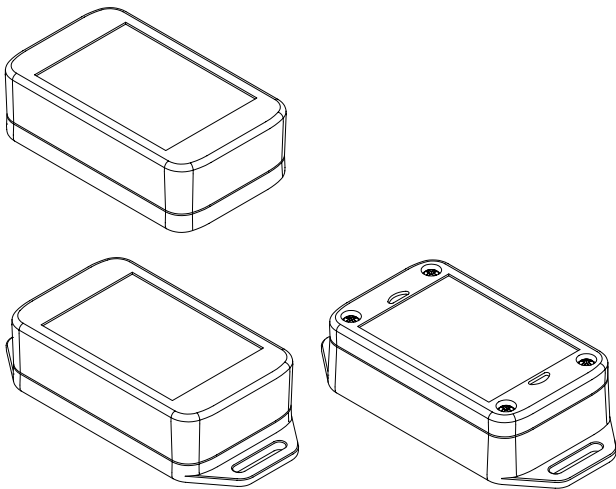


Enclosure size

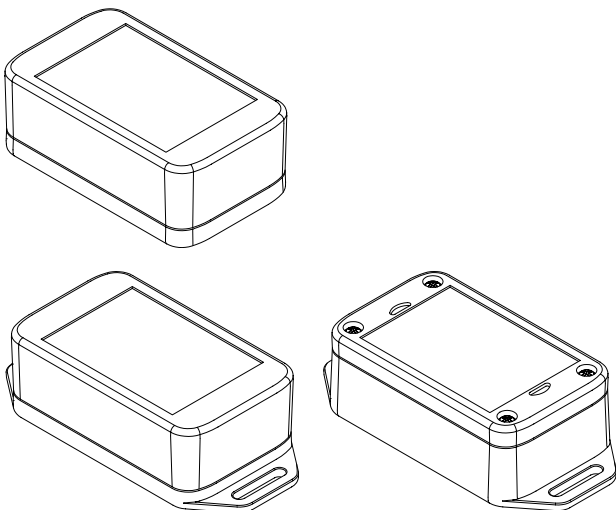
BL 704015...



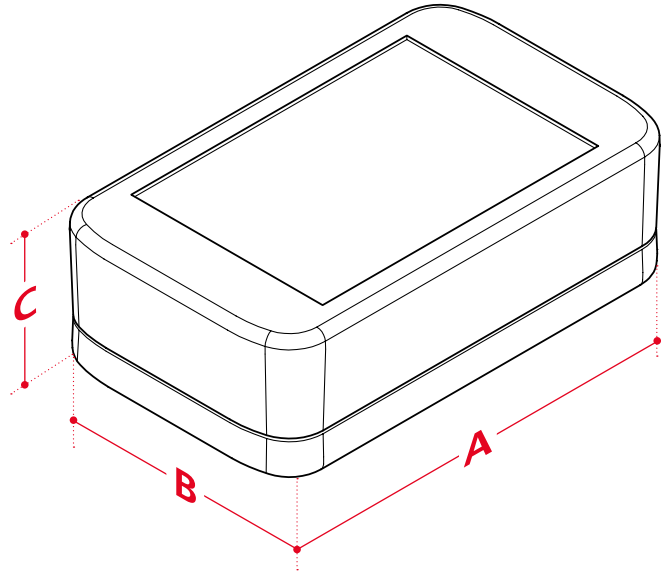
BL 704020...



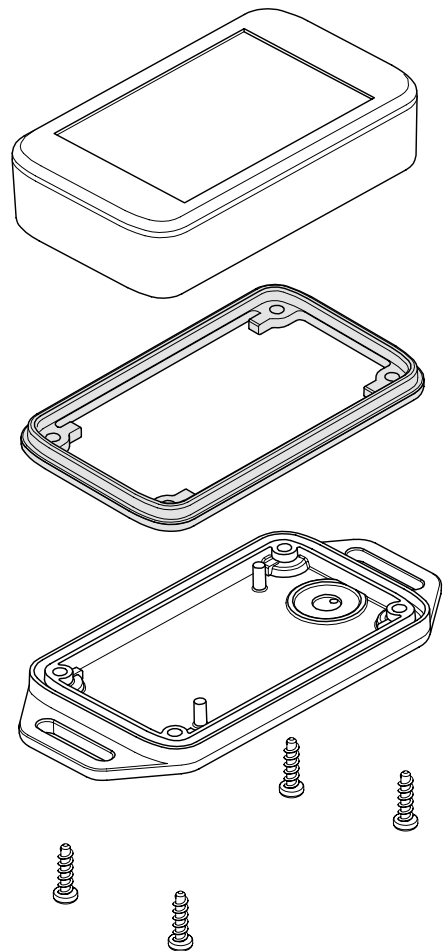
BL 704025...



Design type



Lid fixing below (BL...)





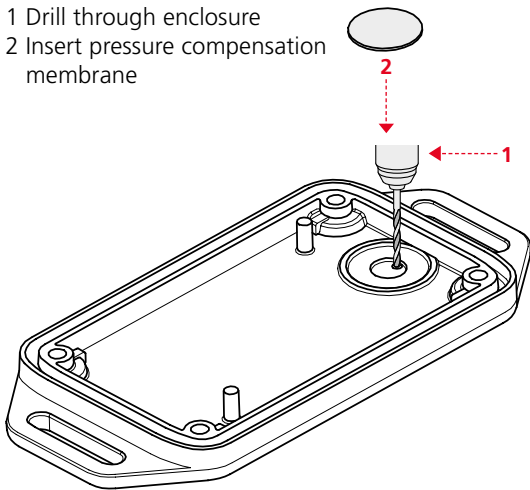
BOPLA

A Phoenix Mecano Company

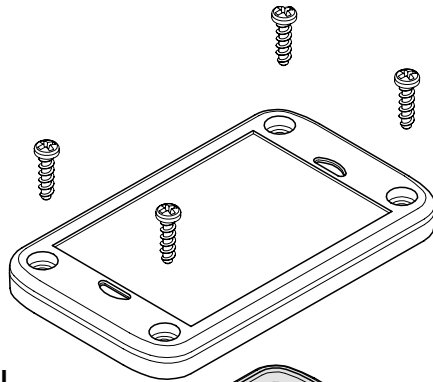
BoLink

Pressure compensation membrane DAE

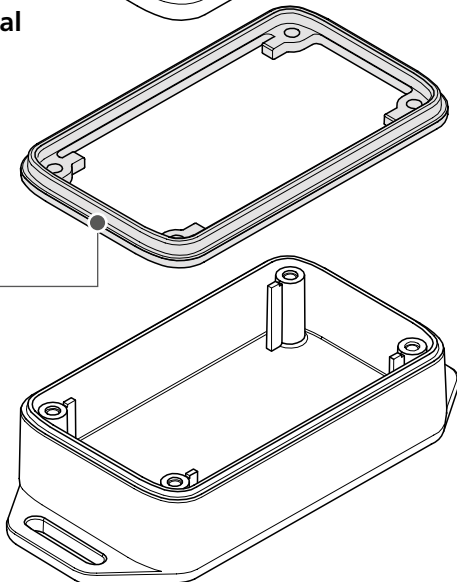
- 1 Drill through enclosure
- 2 Insert pressure compensation membrane



Lid fixing on top (BL...DO)



Design seal



Dimensions

Model	A	B	C
BL 704015...	70.4	42.4	15.5
BL 704020...	70.9	42.9	22
BL 704025...	71.2	43.2	26

Accessories



Pressure compensation membrane D11



Seals, IP65

BoLink

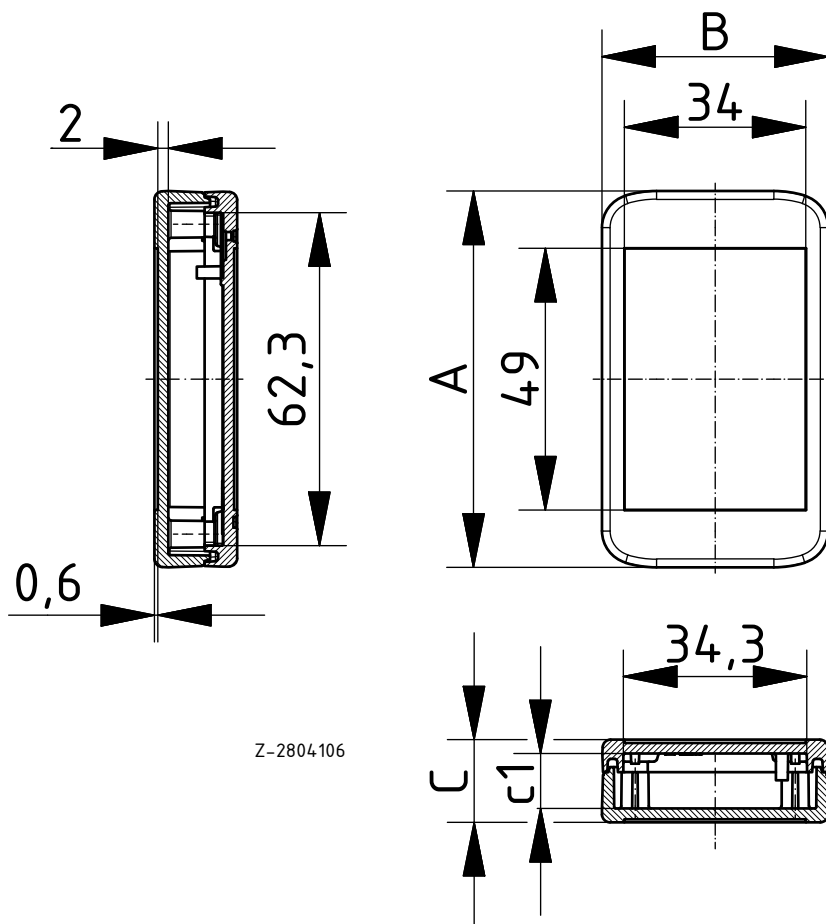
Enclosure



Enclosure, IP40 (IP65)

Model	Order no.	A	B	C	c1	Colour
BL 704015-9003	16174303	70.4	42.4	15.5	10.3	White
BL 704015-9005	16174305	70.4	42.4	15.5	10.3	Black
BL 704020-9003	16174403	70.9	42.9	22	16.8	White
BL 704020-9005	16174405	70.9	42.9	22	16.8	Black
BL 704025-9003	16174503	71.2	43.2	26	20.8	White
BL 704025-9005	16174505	71.2	43.2	26	20.8	Black

Scope Of Delivery: Lid and base, 4 screws



BoLink

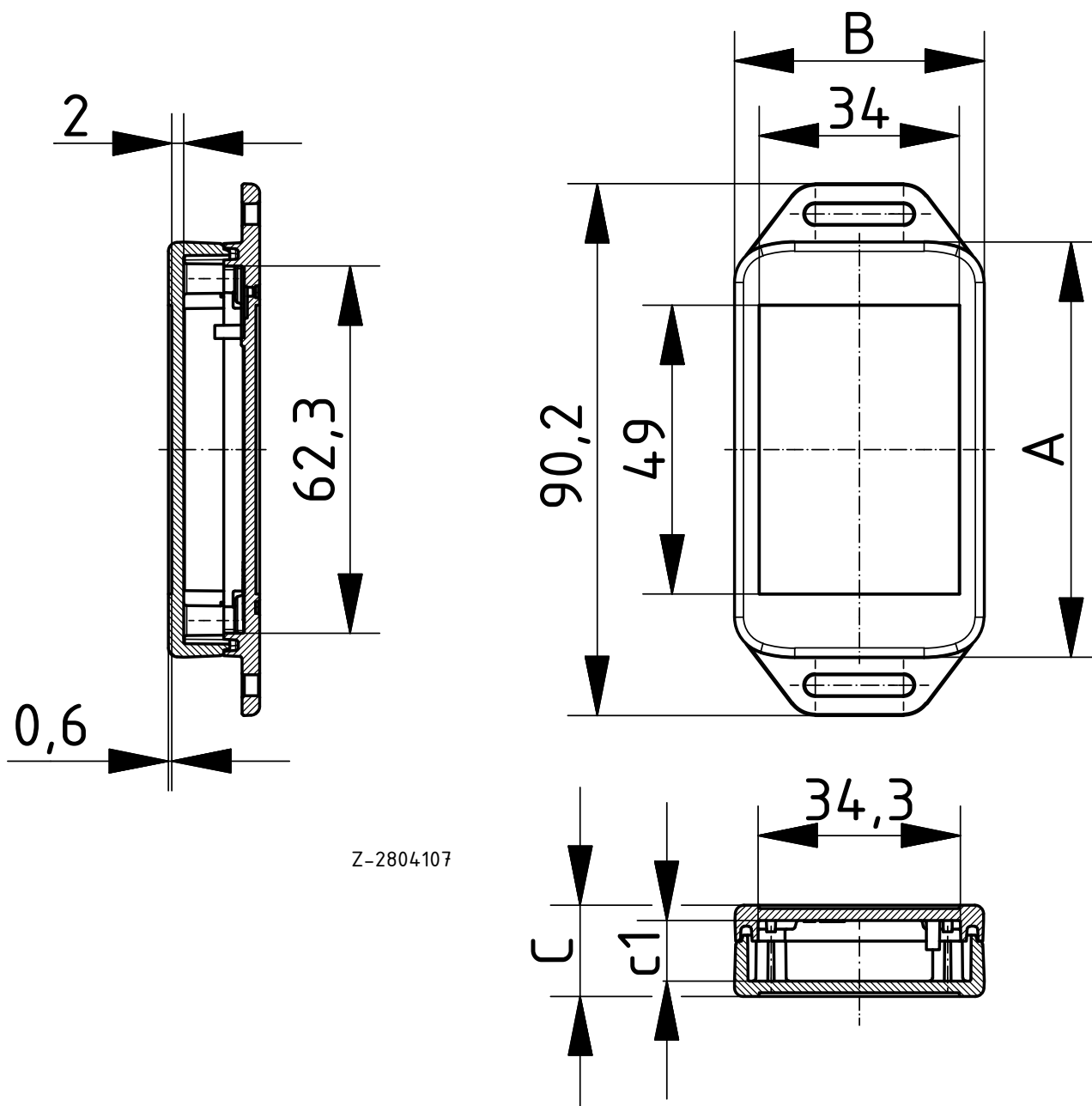
Enclosure with wall brackets

Enclosure with wall brackets, IP40 (IP65)

Model	Order no.	A	B	C	c1	Colour
BL 704015 WL2-9003	16174333	70.4	42.4	15.5	10.3	White
BL 704015 WL2-9005	16174335	70.4	42.4	15.5	10.3	Black
BL 704020 WL2-9003	16174433	70.9	42.9	22	16.8	White
BL 704020 WL2-9005	16174435	70.9	42.9	22	16.8	Black
BL 704025 WL2-9003	16174533	71.2	43.2	26	20.8	White
BL 704025 WL2-9005	16174535	71.2	43.2	26	20.8	Black



Scope Of Delivery: Lid and base, 4 screws



BoLink

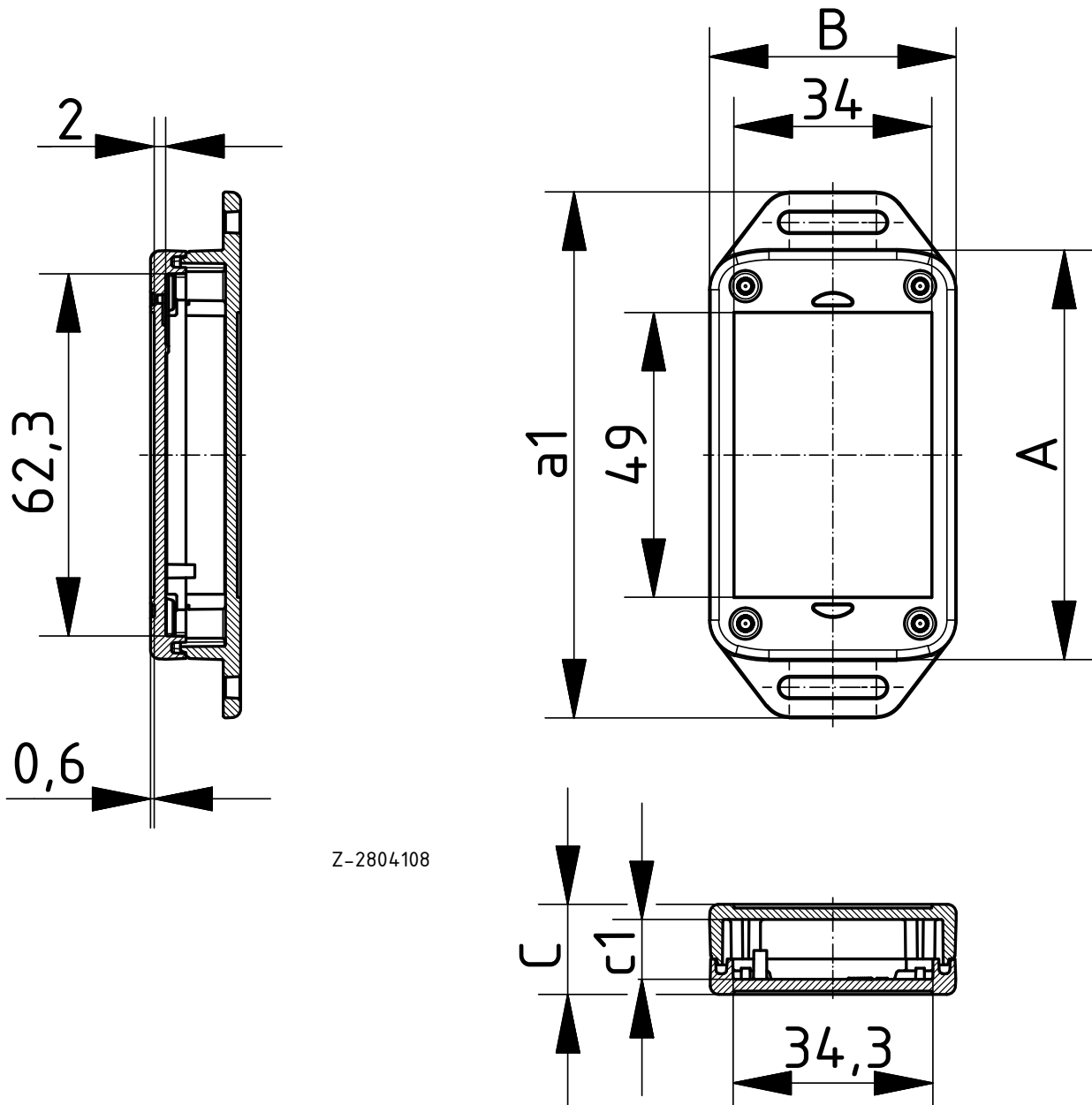
Enclosure with wall brackets



Enclosure with wall brackets and lid fixing from the top, IP40 (IP65)

Model	Order no.	A	B	C	a1	c1	Colour
BL 704015 WL2 DO-9003	16174363	70.4	42.4	15.5	90.4	10.3	White
BL 704015 WL2 DO-9005	16174365	70.4	42.4	15.5	90.4	10.3	Black
BL 704020 WL2 DO-9003	16174463	70.8	42.9	22	90.9	16.8	White
BL 704020 WL2 DO-9005	16174465	70.8	42.9	22	90.9	16.8	Black
BL 704025 WL2 DO-9003	16174563	71.1	43.2	26	91.2	20.8	White
BL 704025 WL2 DO-9005	16174565	71.1	43.2	26	91.2	20.8	Black

Scope Of Delivery: Lid and base, 4 screws



BoLink

Accessories

Design seal, IP65

Model	Order no.	Colour
BL 7040 DI-9005	16374005	Black
BL 7040 DI-9016	16374003	White
BL 7040 DI-3001	16374001	Signal red
BL 7040 DI-5005	16374002	Signal blue

Scope Of Delivery: 5 seals



Pressure compensation membrane DAE

Model	Order no.	Note
DAE-D11	52011000	Self-adhesive membrane ø 11 mm

Scope Of Delivery: 5 pieces

Notes: Air, which may create a vacuum in the enclosure when it cools, can suck in water etc. through the seal into the enclosure, which means that ingress protection can no longer be guaranteed. BOPLA's product range includes the pressure compensation element to compensate such variations in pressure caused by differences in temperature. Processing of the enclosure and mounting on request.

