

The product advantages



Bocard is a modular enclosure system with a large number of lid variants. From crystal-clear hinged lids to design covers for front panels, these can be combined with different bases.



For easy ordering, many configurations are available as a complete set. However, all enclosure parts are also available as individual components – ideal for creating individual colour combinations.

Bocard has an interior which can be flexibly divided with partitions and cover elements. Creating a separately accessible terminal compartment allows the connection of units without the need to open the electronics mounting space.



With matching accessories, the design-oriented enclosure system also looks special in applications other than in classic control technology.



The installation area (Type CF) can be mounted as an operating surface in a control panel. The rear-fitted sponge rubber seal creates a maximum IP65 seal to the control panel. Please note that combination with a base is not possible for this application.



Quick-Finder:
www.bopla.de/20

Examples of use





BOPLA

A Phoenix Mecano Company

Bocard



Colour:

- Graphite grey, similar to RAL 7024
- Light grey, similar to RAL 7035

Special colours on request

Protection class:

Depending on the model up to IP66 / IP68
(1.2 m - 2 h) DIN EN 60529

Material:

Enclosure: ABS

Seal: CR / PU foamed

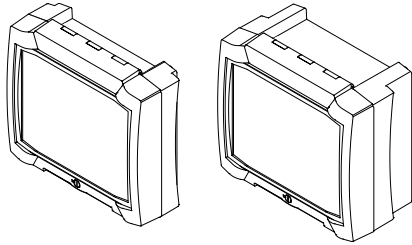
V-0 versions on request

For details see technical information.

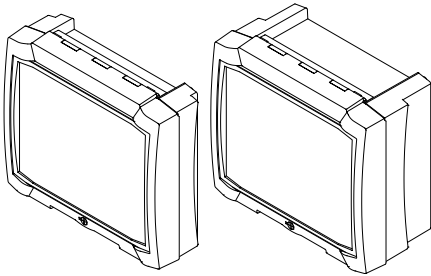


Enclosure sizes

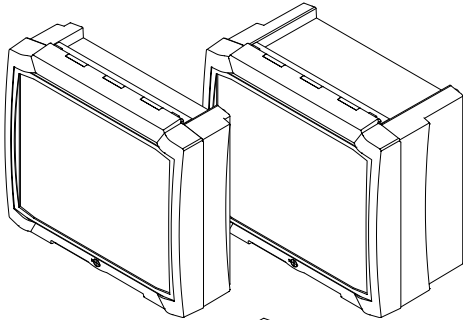
BCD 16...



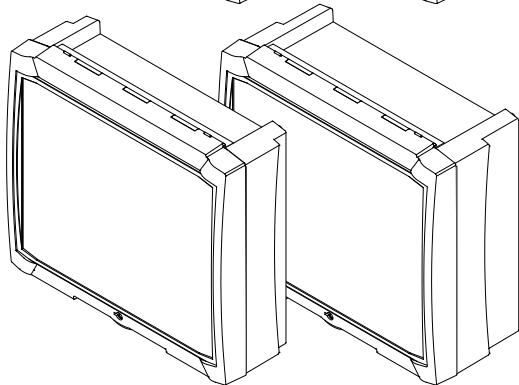
BCD 20...



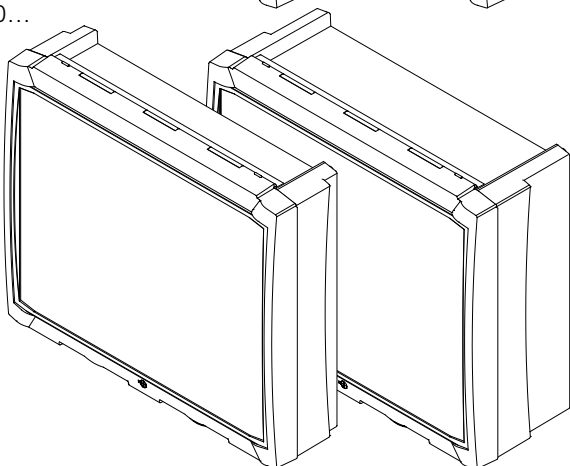
BCD 25...



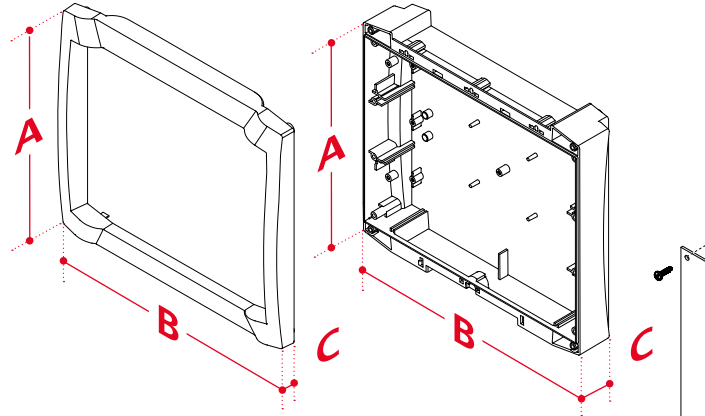
BCD 31...



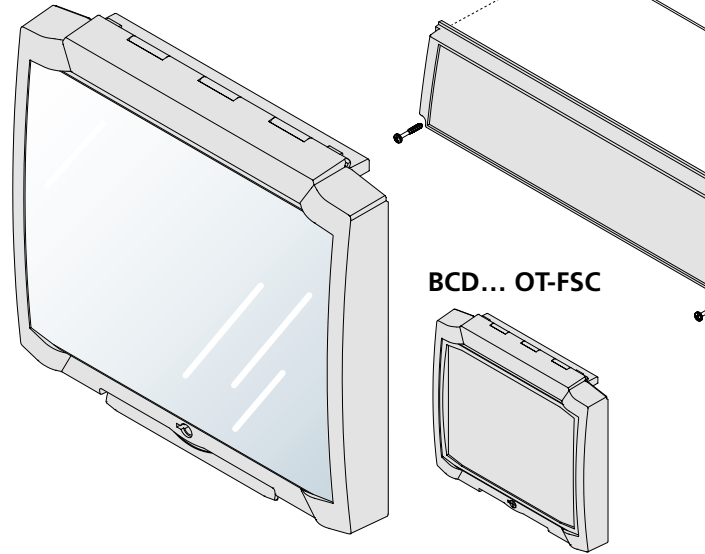
BCD 40...



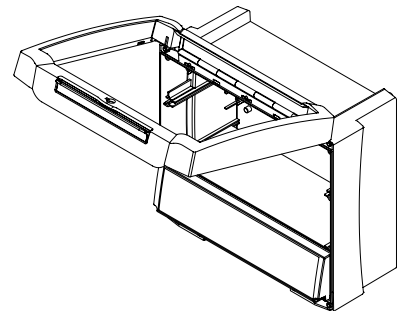
Design types



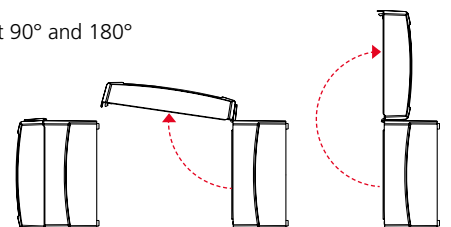
BCD... OT-G



Hinge



Detent position at 90° and 180°

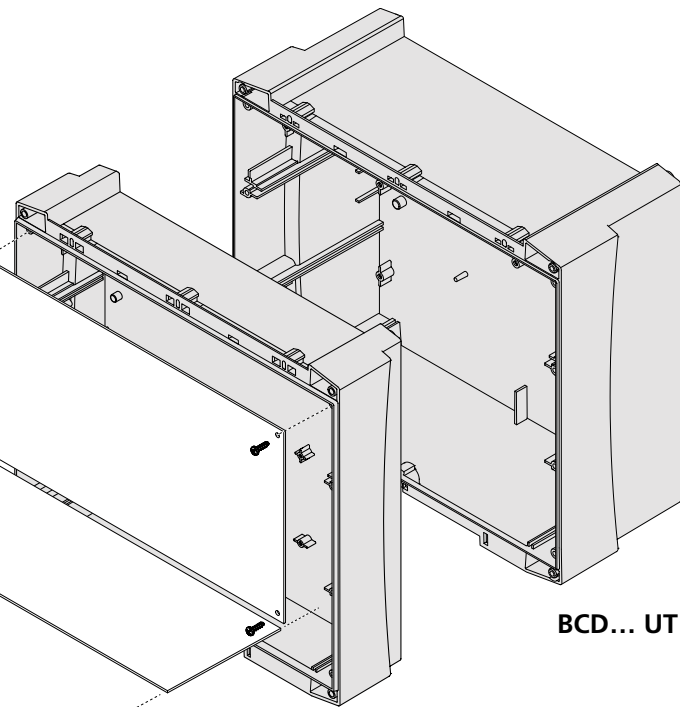




BOPLA

A Phoenix Mecano Company

Bocard



BCD... UT

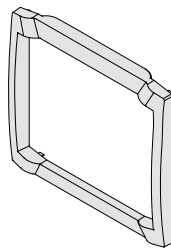
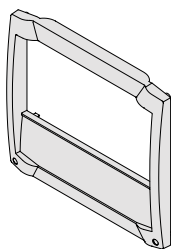
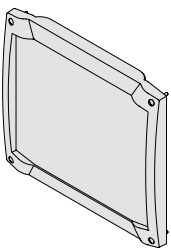


BCD... UT -0,5

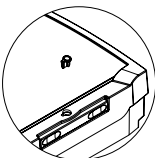
BCD... OT-F

BCD... FO-K

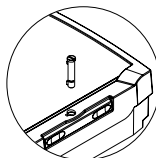
BCD... FO



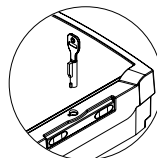
Lock



Blind plug

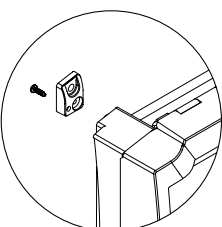


Catch

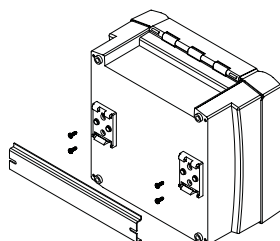


Cylinder lock

Wall fitting



DIN rail mounting



Dimensions

Model	A	B	C ¹	C ²
BCD 16... OT-G / OT-FSC	199	179.2	36.5	36.5
BCD 20... OT-G / OT-FSC	229	204.2	36.1	36.1
BCD 25... OT-G / OT-FSC	264	234.2	36	36
BCD 31... OT-G / OT-FSC	324	289.2	37.2	37.2
BCD 40... OT-G / OT-FSC	404	344.2	37.5	37.5
BCD 160 OT-F / FO-(K) / CF	199	177.85	19	19
BCD 200 OT-F / FO-(K) / CF	229	202.85	18.7	18.7
BCD 250 OT-F / FO-(K) / CF	264	232.85	18.7	18.7
BCD 160 UT-...	195	173	35	70
BCD 200 UT-...	225	198	40	80
BCD 250 UT-...	260	228	50	105
BCD 310 UT-...	320	283	71	105
BCD 400 UT-...	400	338	71.5	120

C¹ = flat version / C² = high version

Cover

Model	OT-G	OT-FSC	OT-F	FO-K	FO
BCD 16...	✓	✓	✓	✓	✓
BCD 20...	✓	✓	✓	✓	✓
BCD 25...	✓	✓	✓	✓	✓
BCD 31...	✓	✓			
BCD 40...	✓	✓			

Accessories



Tip-up bow



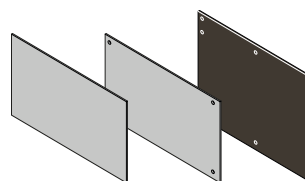
Handle



Cylinder lock for front lid



DIN rails
TH 15, G 32, TH 35



Front and part front panels and cover plates in different versions

Bocard

Enclosure with crystal-clear hinged lid



High enclosure, with crystal-clear hinged lid, without terminal compartment, IP 66 / IP 68 – 1.2m (2 hrs.)

Model	Order no.	A	B	C	Colour
BCD 165 Set 01-7035	20173501.S	199	179	106.5	Light grey
BCD 205 Set 01-7035	20213501.S	229	204	116	Light grey
BCD 255 Set 01-7035	20263501.S	264	234	141	Light grey
BCD 315 Set 01-7035	20323501.S	324	289	145.2	Light grey
BCD 405 Set 01-7035	20413501.S	404	344	160.5	Light grey

Scope Of Delivery: 1 x BCD... UT-7035, 1 x BCD... OT-G-7035

Notes: Base light grey, lid frame light grey



High enclosure, with crystal-clear hinged lid, without terminal compartment, IP 66 / IP 68 – 1.2m (2 hrs.)

Model	Order no.	A	B	C
BCD 165 Set 01-7024	20172401.S	199	179	106.5
BCD 205 Set 01-7024	20212401.S	229	204	116
BCD 255 Set 01-7024	20262401.S	264	234	141
BCD 315 Set 01-7024	20322401.S	324	289	145.2
BCD 405 Set 01-7024	20412401.S	404	344	160.5

Scope Of Delivery: 1 x BCD... UT-7035, 1 x BCD... OT-G-7024

Notes: Base light grey, lid frame graphite grey



Flat enclosure, with crystal-clear hinged lid, without terminal compartment, IP 66 / IP 68 – 1.2m (2 hrs.)

Model	Order no.	A	B	C	Colour
BCD 165 Set 02-7035	20173502.S	199	179	71.5	Light grey
BCD 205 Set 02-7035	20213502.S	229	204	76	Light grey
BCD 255 Set 02-7035	20263502.S	264	234	86	Light grey
BCD 315 Set 02-7035	20323502.S	324	289	111.2	Light grey
BCD 405 Set 02-7035	20413502.S	404	344	112	Light grey

Scope Of Delivery: 1 x BCD... UT-0,5-7035, 1 x BCD... OT-G-7035

Notes: Base light grey, lid frame light grey



Flat enclosure, with crystal-clear hinged lid, without terminal compartment, IP 66 / IP 68 – 1.2m (2 hrs.)

Model	Order no.	A	B	C
BCD 165 Set 02-7024	20172402.S	199	179	71.5
BCD 205 Set 02-7024	20212402.S	229	204	76
BCD 255 Set 02-7024	20262402.S	264	234	86
BCD 315 Set 02-7024	20322402.S	324	289	111.2
BCD 405 Set 02-7024	20412402.S	404	344	112

Scope Of Delivery: 1 x BCD... UT-0,5-7035, 1 x BCD... OT-G-7024

Notes: Base light grey, lid frame graphite grey

Bocard

Enclosure with crystal-clear hinged lid

High enclosure, with crystal-clear hinged lid, for 1 terminal compartment, IP 66 / IP 68 – 1.2m (2 hrs.)

Model	Order no.	A	B	C	Colour
BCD 165 Set 03-7035	20173503.S	199	179	106.5	Light grey
BCD 205 Set 03-7035	20213503.S	229	204	116	Light grey
BCD 255 Set 03-7035	20263503.S	264	234	141	Light grey
BCD 315 Set 03-7035	20323503.S	324	289	145.2	Light grey
BCD 405 Set 03-7035	20413503.S	404	344	160.5	Light grey

Scope Of Delivery: 1 x BCD... UT-7035, 1 x BCD... OT-G-7035, 1 x BCD... KRD-7035

Notes: Base light grey, lid frame and terminal compartment lid light grey



High enclosure, with crystal-clear hinged lid, for 1 terminal compartment, IP 66 / IP 68 – 1.2m (2 hrs.)

Model	Order no.	A	B	C
BCD 165 Set 03-7024	20172403.S	199	179	106.5
BCD 205 Set 03-7024	20212403.S	229	204	116
BCD 255 Set 03-7024	20262403.S	264	234	141
BCD 315 Set 03-7024	20322403.S	324	289	145.2
BCD 405 Set 03-7024	20412403.S	404	344	160.5

Scope Of Delivery: 1 x BCD... UT-7035, 1 x BCD... OT-G-7024, 1 x BCD... KRD-7024

Notes: Base light grey, Lid frame and terminal compartment lid graphite grey



Flat enclosure, with crystal-clear hinged lid, for 1 terminal compartment, IP 66 / IP 68 – 1.2m (2 hrs.)

Model	Order no.	A	B	C	Colour
BCD 165 Set 04-7035	20173504.S	199	179	71.5	Light grey
BCD 205 Set 04-7035	20213504.S	229	204	76	Light grey
BCD 255 Set 04-7035	20263504.S	264	234	86	Light grey
BCD 315 Set 04-7035	20323504.S	324	289	111.2	Light grey
BCD 405 Set 04-7035	20413504.S	404	344	112	Light grey

Scope Of Delivery: 1 x BCD... UT-0,5-7035, 1 x BCD... OT-G-7035, 1 x BCD... KRD-7035

Notes: Base light grey, lid frame and terminal compartment lid light grey



Flat enclosure, with crystal-clear hinged lid, for 1 terminal compartment, IP 66 / IP 68 – 1.2m (2 hrs.)

Model	Order no.	A	B	C
BCD 165 Set 04-7024	20172404.S	199	179	71.5
BCD 205 Set 04-7024	20212404.S	229	204	76
BCD 255 Set 04-7024	20262404.S	264	234	86
BCD 315 Set 04-7024	20322404.S	324	289	111.2
BCD 405 Set 04-7024	20412404.S	404	344	112

Scope Of Delivery: 1 x BCD... UT-0,5-7035, 1 x BCD... OT-G-7024, 1 x BCD... KRD-7024

Notes: Base light grey, Lid frame and terminal compartment lid graphite grey



Bocard

Enclosure, with front frame open



High enclosure, with open front frame without terminal compartment, IP 40

Model	Order no.	A	B	C	Colour
BCD 160 Set 07-7035	20163507	199	178	89	Light grey
BCD 200 Set 07-7035	20203507	229	203	99	Light grey
BCD 250 Set 07-7035	20253507	264	233	124	Light grey

Scope Of Delivery: 1 x BCD... UT-7035, 1 x BCD... FO-7035

Notes: Base light grey, front frame light grey



High enclosure, with open front frame without terminal compartment, IP 40

Model	Order no.	A	B	C
BCD 160 Set 07-7024	20162407	199	178	89
BCD 200 Set 07-7024	20202407	229	203	99
BCD 250 Set 07-7024	20252407	264	233	124

Scope Of Delivery: 1 x BCD... UT-7035, 1 x BCD... FO-7024

Notes: Base light grey, front frame graphite grey



Flat enclosure, with open front frame, without terminal compartment, IP 40

Model	Order no.	A	B	C	Colour
BCD 160 Set 08-7035	20163508	199	178	54	Light grey
BCD 200 Set 08-7035	20203508	229	203	59	Light grey
BCD 250 Set 08-7035	20253508	264	233	69	Light grey

Scope Of Delivery: 1 x BCD... UT-0,5-7035, 1 x BCD... FO-7035

Notes: Base light grey, front frame light grey



Flat enclosure, with open front frame, without terminal compartment, IP 40

Model	Order no.	A	B	C
BCD 160 Set 08-7024	20162408	199	178	54
BCD 200 Set 08-7024	20202408	229	203	59
BCD 250 Set 08-7024	20252408	264	233	69

Scope Of Delivery: 1 x BCD... UT-0,5-7035, 1 x BCD... FO-7024

Notes: Base light grey, front frame graphite grey



High enclosure, with front frame open, incl. terminal compartment cover, IP 40

Model	Order no.	A	B	C	Colour
BCD 160 Set 09-7035	20163509	199	178	89	Light grey
BCD 200 Set 09-7035	20203509	229	203	99	Light grey
BCD 250 Set 09-7035	20253509	264	233	124	Light grey

Scope Of Delivery: 1 x BCD... UT-7035, 1 x BCD... FO-K-7035

Notes: Base light grey, front frame light grey

Bocard

Enclosure, with front frame open

High enclosure, with front frame open, incl. terminal compartment cover, IP 40

Model	Order no.	A	B	C
BCD 160 Set 09-7024	20162409	199	178	89
BCD 200 Set 09-7024	20202409	229	203	99
BCD 250 Set 09-7024	20252409	264	233	124

Scope Of Delivery: 1 x BCD... UT-7035, 1 x BCD... FO-K-7024

Notes: Base light grey, front frame graphite grey



Flat enclosure, with front frame open, incl. terminal compartment cover, IP 40

Model	Order no.	A	B	C	Colour
BCD 160 Set 10-7035	20163510	199	178	54	Light grey
BCD 200 Set 10-7035	20203510	229	203	59	Light grey
BCD 250 Set 10-7035	20253510	264	233	69	Light grey

Scope Of Delivery: 1 x BCD... UT-0,5-7035, 1 x BCD... FO-K-7035

Notes: Base light grey, front frame light grey



Flat enclosure, with front frame open, incl. terminal compartment cover, IP 40

Model	Order no.	A	B	C
BCD 160 Set 10-7024	20162410	199	178	54
BCD 200 Set 10-7024	20202410	229	203	59
BCD 250 Set 10-7024	20252410	264	233	69

Scope Of Delivery: 1 x BCD... UT-0,5-7035, 1 x BCD... FO-K-7024

Notes: Base light grey, front frame graphite grey



Bocard

Enclosure with membrane lid



High enclosure, with membrane lid, IP 65

Model	Order no.	A	B	C	Colour
BCD 160 Set 11-7035	20163511	199	178	89	Light grey
BCD 200 Set 11-7035	20203511	229	203	99	Light grey
BCD 250 Set 11-7035	20253511	264	233	124	Light grey

Scope Of Delivery: 1 x BCD... UT-7035, 1 x BCD... OT-F-7035

Notes: Base light grey, front lid light grey



High enclosure, with membrane lid, IP 65

Model	Order no.	A	B	C
BCD 160 Set 11-7024	20162411	199	178	89
BCD 200 Set 11-7024	20202411	229	203	99
BCD 250 Set 11-7024	20252411	264	233	124

Scope Of Delivery: 1 x BCD... UT-7035, 1 x BCD... OT-F-7024

Notes: Base light grey, front lid graphite grey



Flat enclosure, with membrane lid, IP 65

Model	Order no.	A	B	C	Colour
BCD 160 Set 12-7035	20163512	199	178	54	Light grey
BCD 200 Set 12-7035	20203512	229	203	59	Light grey
BCD 250 Set 12-7035	20253512	264	233	69	Light grey

Scope Of Delivery: 1 x BCD... UT-0,5-7035, 1 x BCD... OT-F-7035

Notes: Base light grey, front lid light grey



Flat enclosure, with membrane lid, IP 65

Model	Order no.	A	B	C
BCD 160 Set 12-7024	20162412	199	178	54
BCD 200 Set 12-7024	20202412	229	203	59
BCD 250 Set 12-7024	20252412	264	233	69

Scope Of Delivery: 1 x BCD... UT-0,5-7035, 1 x BCD... OT-F-7024

Notes: Base light grey, front lid graphite grey

Bocard

Enclosure with hinged membrane lid

High enclosure, with hinged membrane lid, IP 66 / IP 68 – 1.2m (2 hrs.)

Model	Order no.	A	B	C	Colour
BCD 160 Set 13-7035	20163513	199	179	106.5	Light grey
BCD 200 Set 13-7035	20203513	229	204	116	Light grey
BCD 250 Set 13-7035	20253513	264	234	141	Light grey
BCD 310 Set 13-7035	20313513	324	289	145.2	Light grey
BCD 400 Set 13-7035	20403513	404	344	160.5	Light grey

Scope Of Delivery: 1 x BCD... UT-7035, 1 x BCD... OT-FSC-7035

Notes: Base light grey, front lid light grey



High enclosure, with hinged membrane lid, IP 66 / IP 68 – 1.2m (2 hrs.)

Model	Order no.	A	B	C
BCD 160 Set 13-7024	20162413	199	179	106.5
BCD 200 Set 13-7024	20202413	229	204	116
BCD 250 Set 13-7024	20252413	264	234	141
BCD 310 Set 13-7024	20312413	324	289	145.2
BCD 400 Set 13-7024	20402413	404	344	160.5

Scope Of Delivery: 1 x BCD... UT-7035, 1 x BCD... OT-FSC-7024

Notes: Base light grey, front lid graphite grey



Flat enclosure, with hinged membrane lid, IP 66 / IP 68 – 1.2m (2 hrs.)

Model	Order no.	A	B	C	Colour
BCD 160 Set 14-7035	20163514	199	179	71.5	Light grey
BCD 200 Set 14-7035	20203514	229	204	76	Light grey
BCD 250 Set 14-7035	20253514	264	234	86	Light grey
BCD 310 Set 14-7035	20313514	324	289	111.2	Light grey
BCD 400 Set 14-7035	20403514	404	344	112	Light grey

Scope Of Delivery: 1 x BCD... UT-0,5-7035, 1 x BCD... OT-FSC-7035

Notes: Base light grey, front lid light grey



Flat enclosure, with hinged membrane lid, IP 66 / IP 68 – 1.2m (2 hrs.)

Model	Order no.	A	B	C
BCD 160 Set 14-7024	20162414	199	179	71.5
BCD 200 Set 14-7024	20202414	229	204	76
BCD 250 Set 14-7024	20252414	264	234	86
BCD 310 Set 14-7024	20312414	324	289	111.2
BCD 400 Set 14-7024	20402414	404	344	112

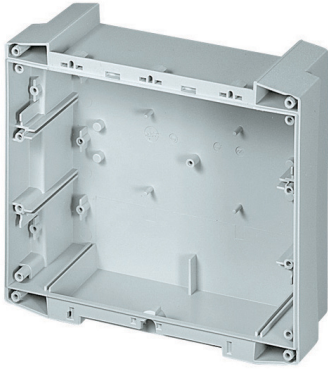
Scope Of Delivery: 1 x BCD... UT-0,5-7035, 1 x BCD... OT-FSC-7024

Notes: Base light grey, front lid graphite grey



Bocard

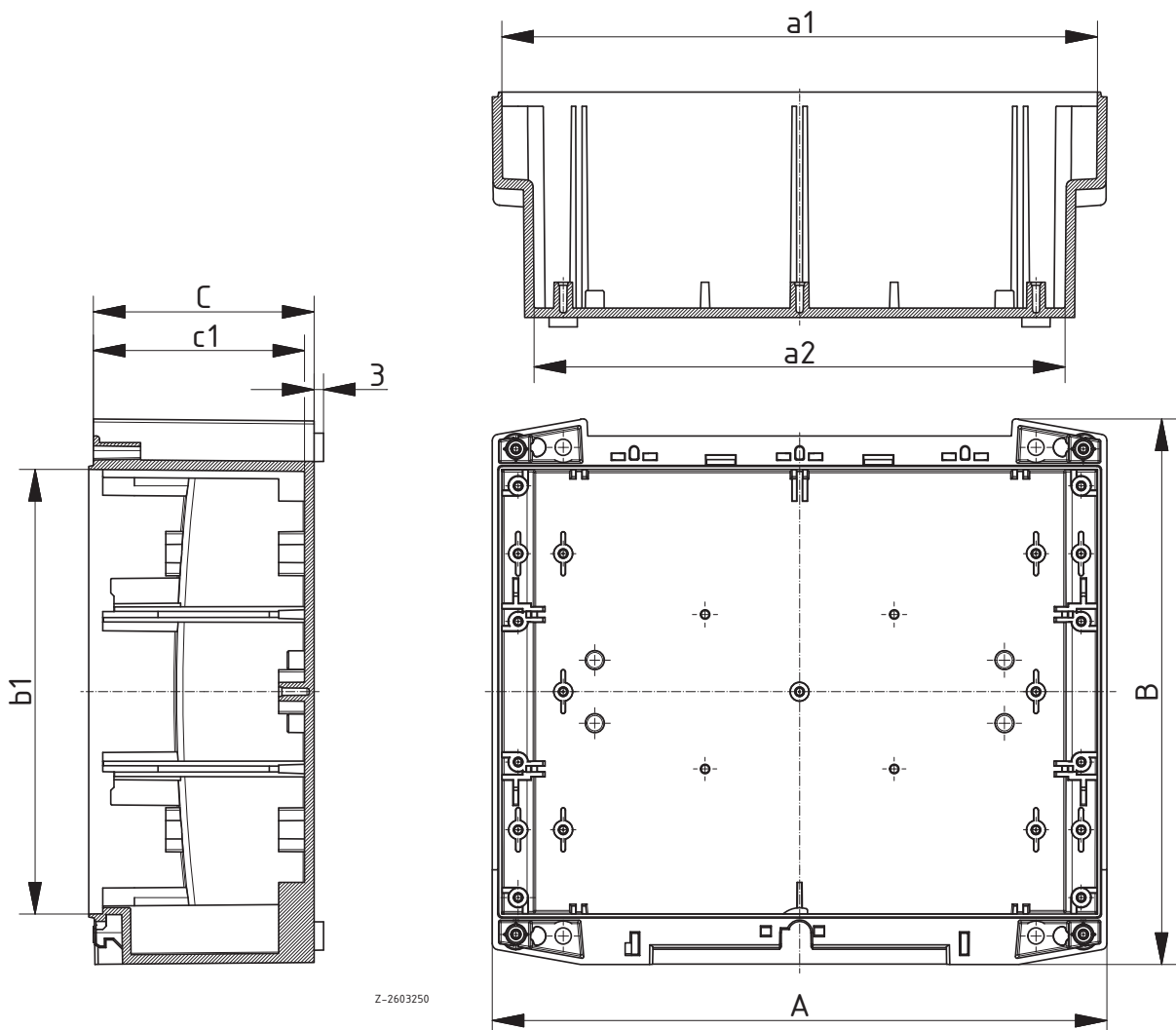
Bases



Base, high

Model	Order no.	A	B	C	a1	a2	b1	c1	Colour
BCD 160 UT-7035	20160135	195	173	70	189	168.5	141	67	Light grey
BCD 160 UT-7024	20160124	195	173	70	189	168.5	141	67	Graphite grey
BCD 200 UT-7035	20200135	225	198	80	219	198.3	166	77	Light grey
BCD 200 UT-7024	20200124	225	198	80	219	198.3	166	77	Graphite grey
BCD 250 UT-7035	20250135	260	228	105	254	232.8	196	102	Light grey
BCD 250 UT-7024	20250124	260	228	105	254	232.8	196	102	Graphite grey
BCD 310 UT-7035	20310135	320	283	105	312	290.8	243	101	Light grey
BCD 400 UT-7035	20400135	400	338	120	391	369.6	297	115.5	Light grey

Scope Of Delivery: 1 Base, high



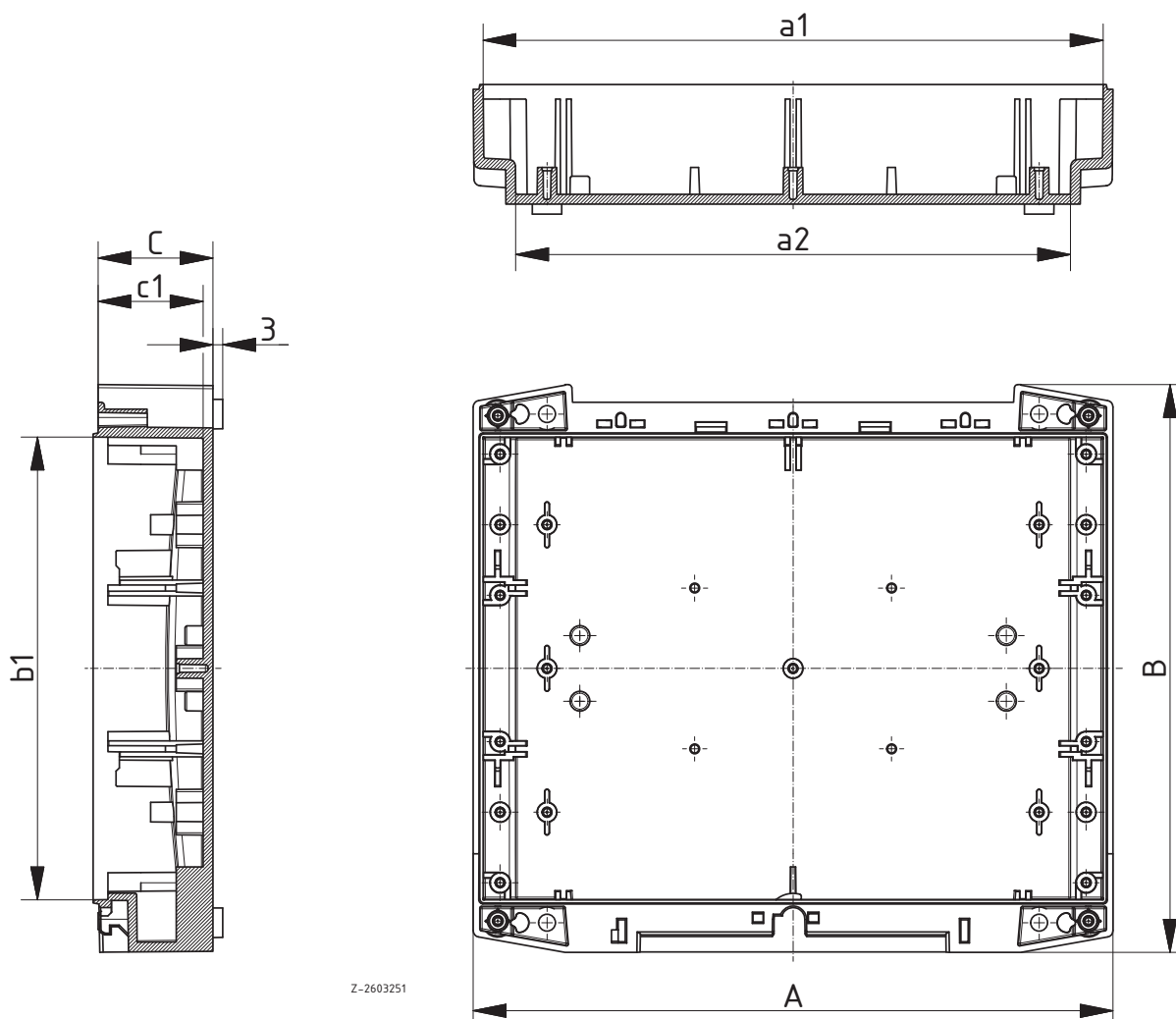
Bocard

Bases

Base, flat

Model	Order no.	A	B	C	a1	a2	b1	c1	Colour
BCD 160 UT-0,5-7035	20160235	195	173	35	189	169	141	32	Light grey
BCD 160 UT-0,5-7024	20160224	195	173	35	189	169	141	32	Graphite grey
BCD 200 UT-0,5-7035	20200235	225	198	40	219	199	166	37	Light grey
BCD 200 UT-0,5-7024	20200224	225	198	40	219	199	166	37	Graphite grey
BCD 250 UT-0,5-7035	20250235	260	228	50	254	233.8	196	47	Light grey
BCD 250 UT-0,5-7024	20250224	260	228	50	254	233.8	196	47	Graphite grey
BCD 310 UT-0,5-7035	20310235	320	283	71	312	291.4	243	67	Light grey
BCD 400 UT-0,5-7035	20400235	400	338	71.5	391	370.5	297	67	Light grey

Scope Of Delivery: 1 Base, flat



Bocard

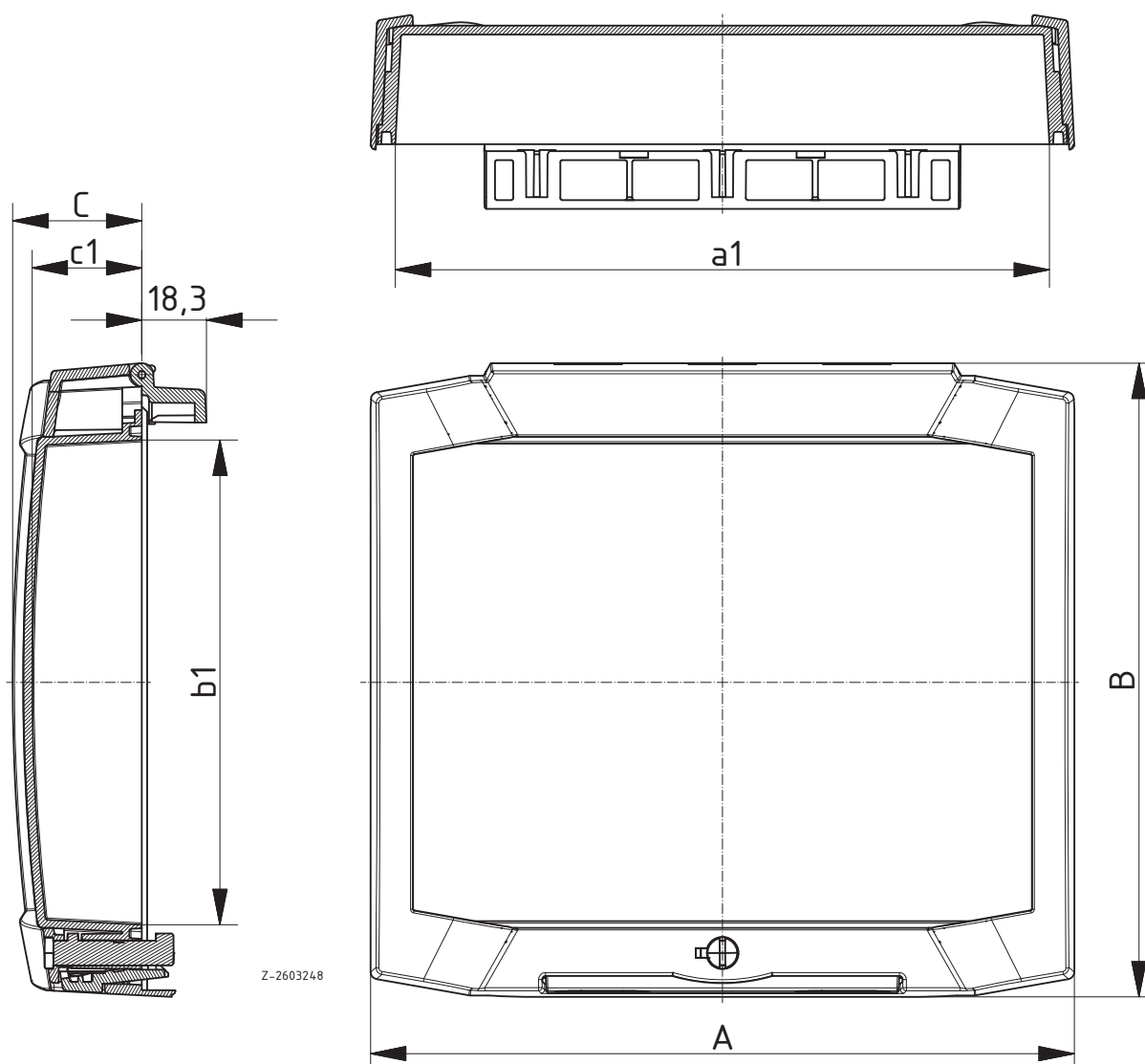
Lids



Hinged front lid, crystal-clear

Model	Order no.	A	B	C	a1	b1	c1	Colour
BCD 165 OT-G-7035	20171035	199	179.2	36.5	185	137	31	Light grey
BCD 165 OT-G-7024	20171024	199	179.2	36.5	185	137	31	Graphite grey
BCD 205 OT-G-7035	20211035	229	204.2	36.1	215	162	31.8	Light grey
BCD 205 OT-G-7024	20211024	229	204.2	36.1	215	162	31.8	Graphite grey
BCD 255 OT-G-7035	20261035	264	234.2	36	250	192	31.9	Light grey
BCD 255 OT-G-7024	20261024	264	234.2	36	250	192	31.9	Graphite grey
BCD 315 OT-G-7035	20321035	324	289.2	37.2	308	239	31.7	Light grey
BCD 315 OT-G-7024	20321024	324	289.2	37.2	308	239	31.7	Graphite grey
BCD 405 OT-G-7035	20411035	404	344.2	37.5	387	293	31.5	Light grey
BCD 405 OT-G-7024	20411024	404	344.2	37.5	387	293	31.5	Graphite grey

Scope Of Delivery: 1 front lid, hinged, 1 catch, 1 blind plug



Bocard

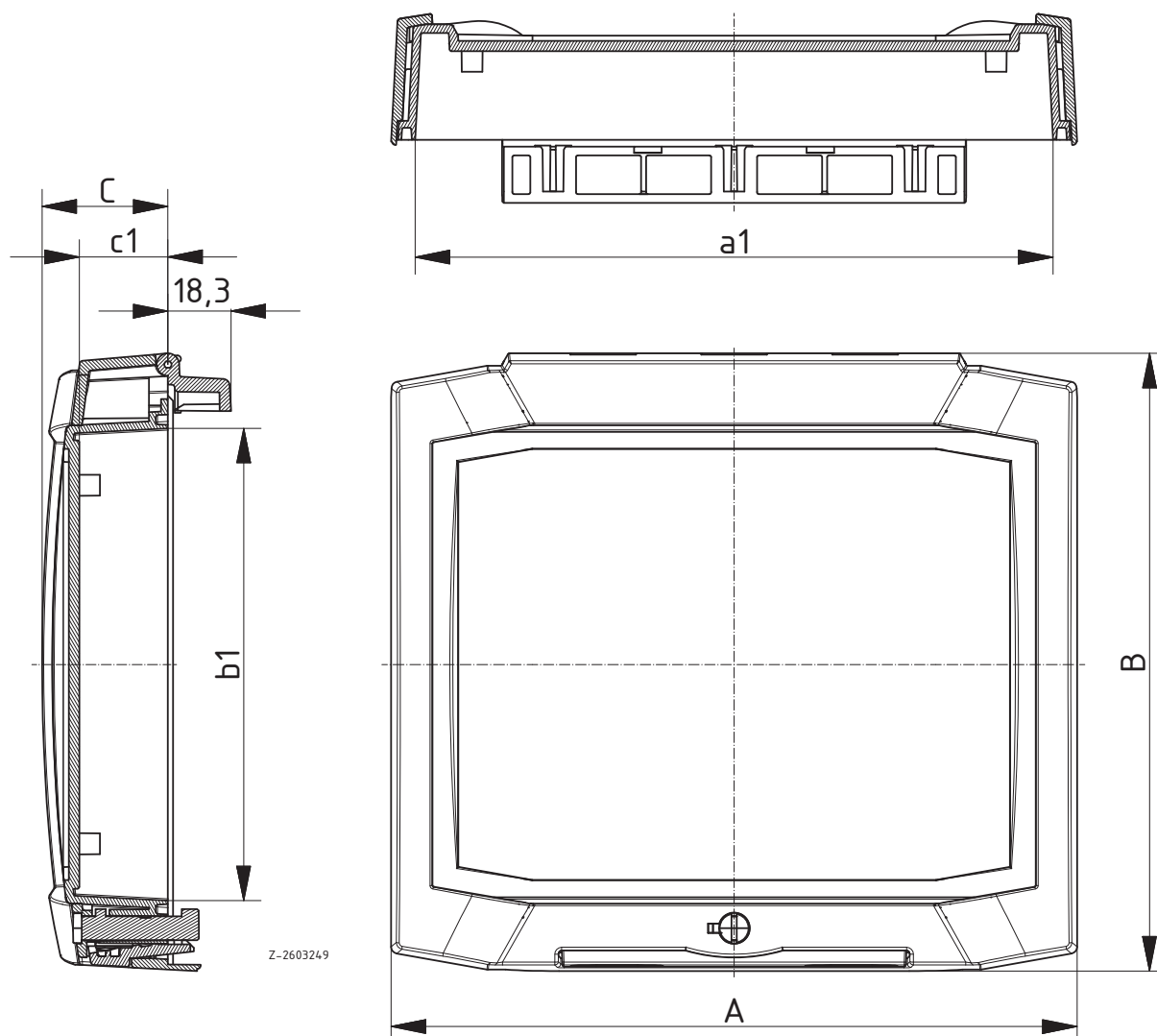
Lids

Hinged front lid with membrane keypad area

Model	Order no.	A	B	C	a1	b1	c1	Colour
BCD 160 OT-FSC-7035	20161535	199	179.2	36.5	185	137	25.7	Light grey
BCD 160 OT-FSC-7024	20161524	199	179.2	36.5	185	137	25.7	Graphite grey
BCD 200 OT-FSC-7035	20201535	229	204.2	36.1	215	162	25.7	Light grey
BCD 200 OT-FSC-7024	20201524	229	204.2	36.1	215	162	25.7	Graphite grey
BCD 250 OT-FSC-7035	20251535	264	234.2	36	250	192	25.7	Light grey
BCD 250 OT-FSC-7024	20251524	264	234.2	36	250	192	25.7	Graphite grey
BCD 310 OT-FSC-7035	20311535	324	289.2	37.2	308	239	25.2	Light grey
BCD 310 OT-FSC-7024	20311524	324	289.2	37.2	308	239	25.2	Graphite grey
BCD 400 OT-FSC-7035	20401535	404	344.2	37.5	387	293	24.7	Light grey
BCD 400 OT-FSC-7024	20401524	404	344.2	37.5	387	293	24.7	Graphite grey



Scope Of Delivery: 1 front lid, hinged, 1 catch, 1 blind plug



Bocard

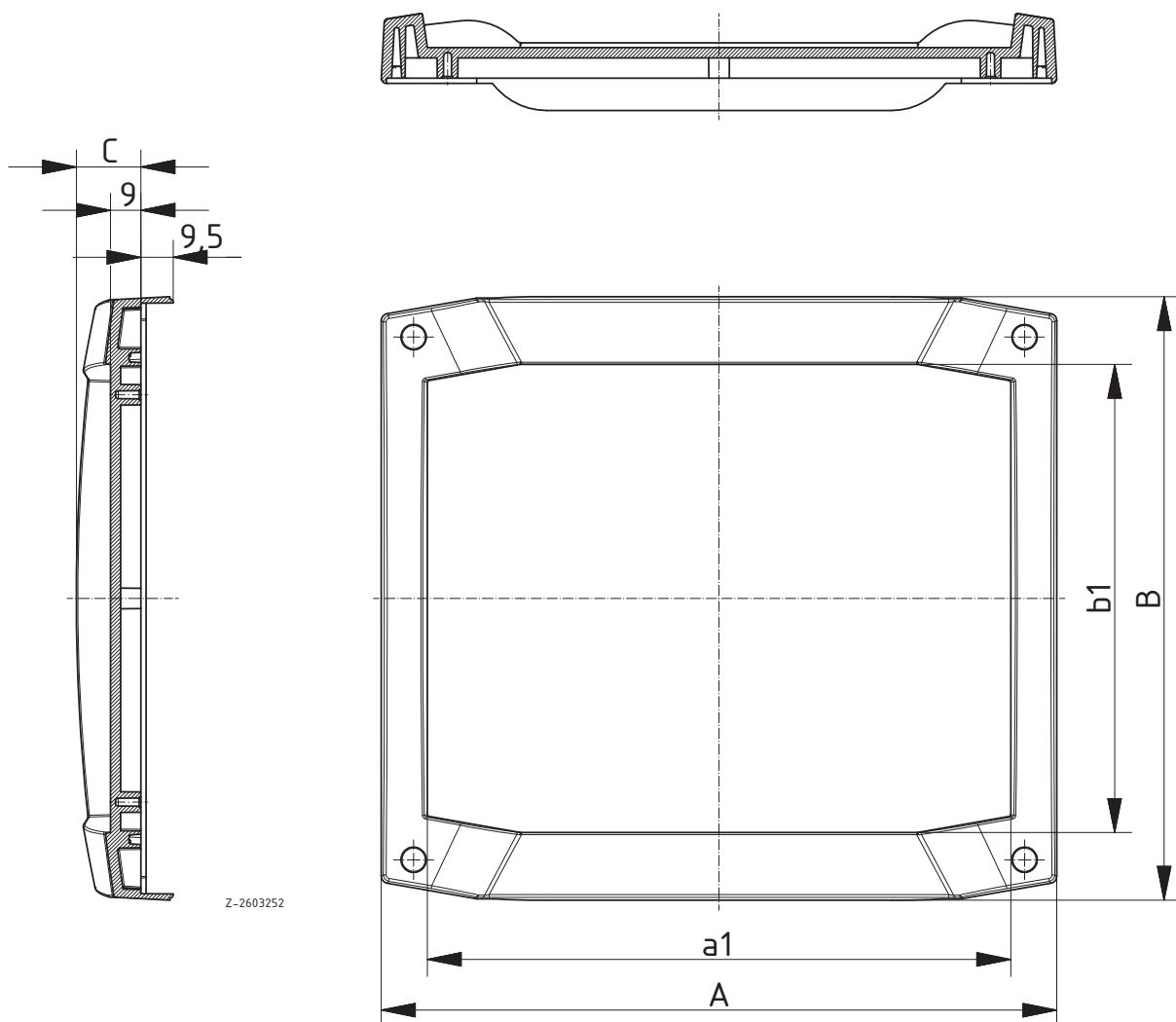
Lids



Screw-on front lid with membrane keypad area

Model	Order no.	A	B	C	a1	b1	Colour
BCD 160 OT-F-7035	20161335	199	177.85	19	171.9	137.9	Light grey
BCD 160 OT-F-7024	20161324	199	177.85	19	171.9	137.9	Graphite grey
BCD 200 OT-F-7035	20201335	229	202.85	18.7	202.2	162.9	Light grey
BCD 200 OT-F-7024	20201324	229	202.85	18.7	202.2	162.9	Graphite grey
BCD 250 OT-F-7035	20251335	264	232.85	18.6	237.5	192.9	Light grey
BCD 250 OT-F-7024	20251324	264	232.85	18.6	237.5	192.9	Graphite grey

Scope Of Delivery: 1 front lid, screws, screw covers



Bocard

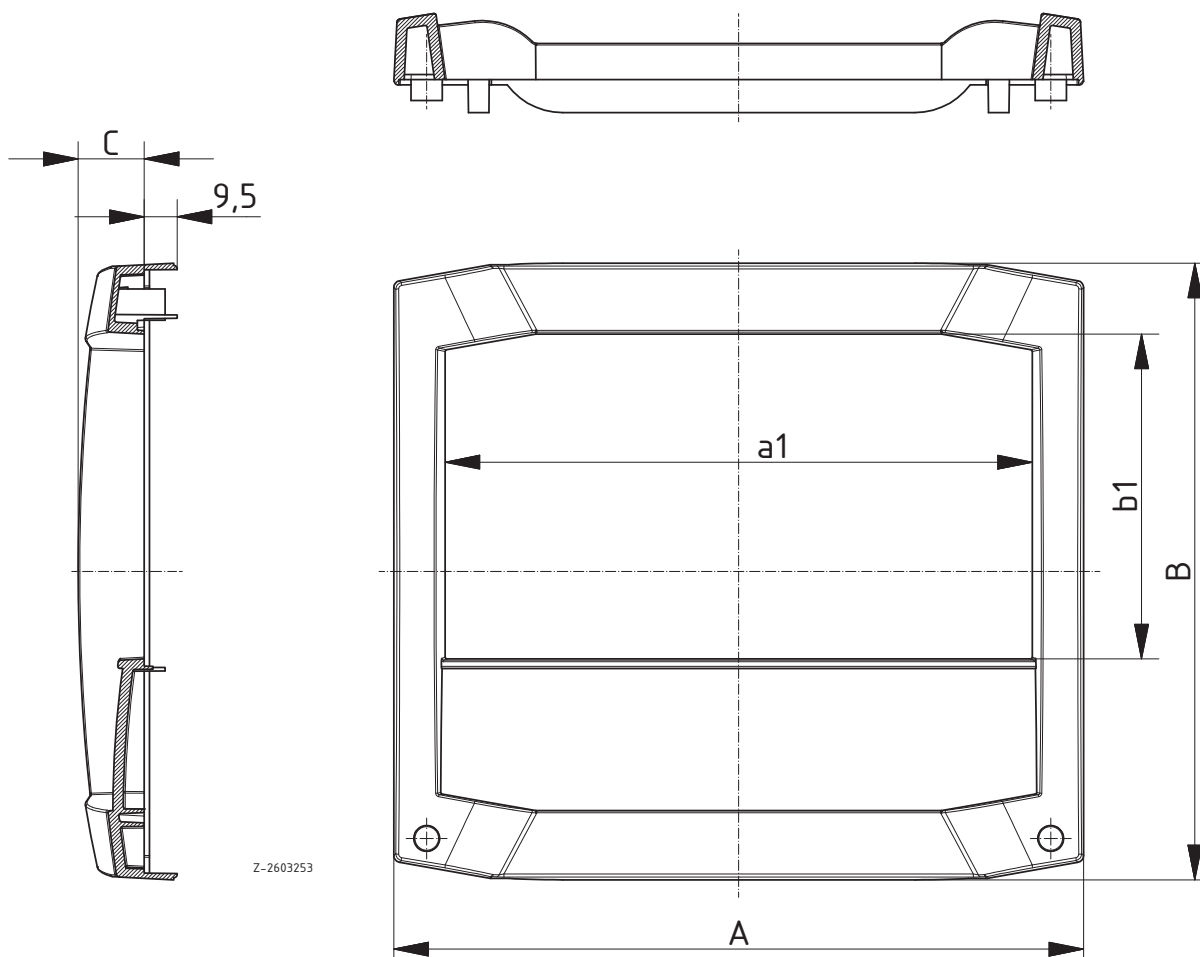
Lids

Screw-on open front frame with terminal compartment cover, screw-on

Model	Order no.	A	B	C	a1	b1	Colour
BCD 160 FO-K-7035	20161235	199	177.85	19	169.3	93.7	Light grey
BCD 160 FO-K-7024	20161224	199	177.85	19	169.3	93.7	Graphite grey
BCD 200 FO-K-7035	20201235	229	202.85	18.7	199.7	108.7	Light grey
BCD 200 FO-K-7024	20201224	229	202.85	18.7	199.7	108.7	Graphite grey
BCD 250 FO-K-7035	20251235	264	232.85	18.6	235	131.7	Light grey
BCD 250 FO-K-7024	20251224	264	232.85	18.6	235	131.7	Graphite grey



Scope Of Delivery: 1 front frame with terminal compartment cover, screws, screw covers



Bocard

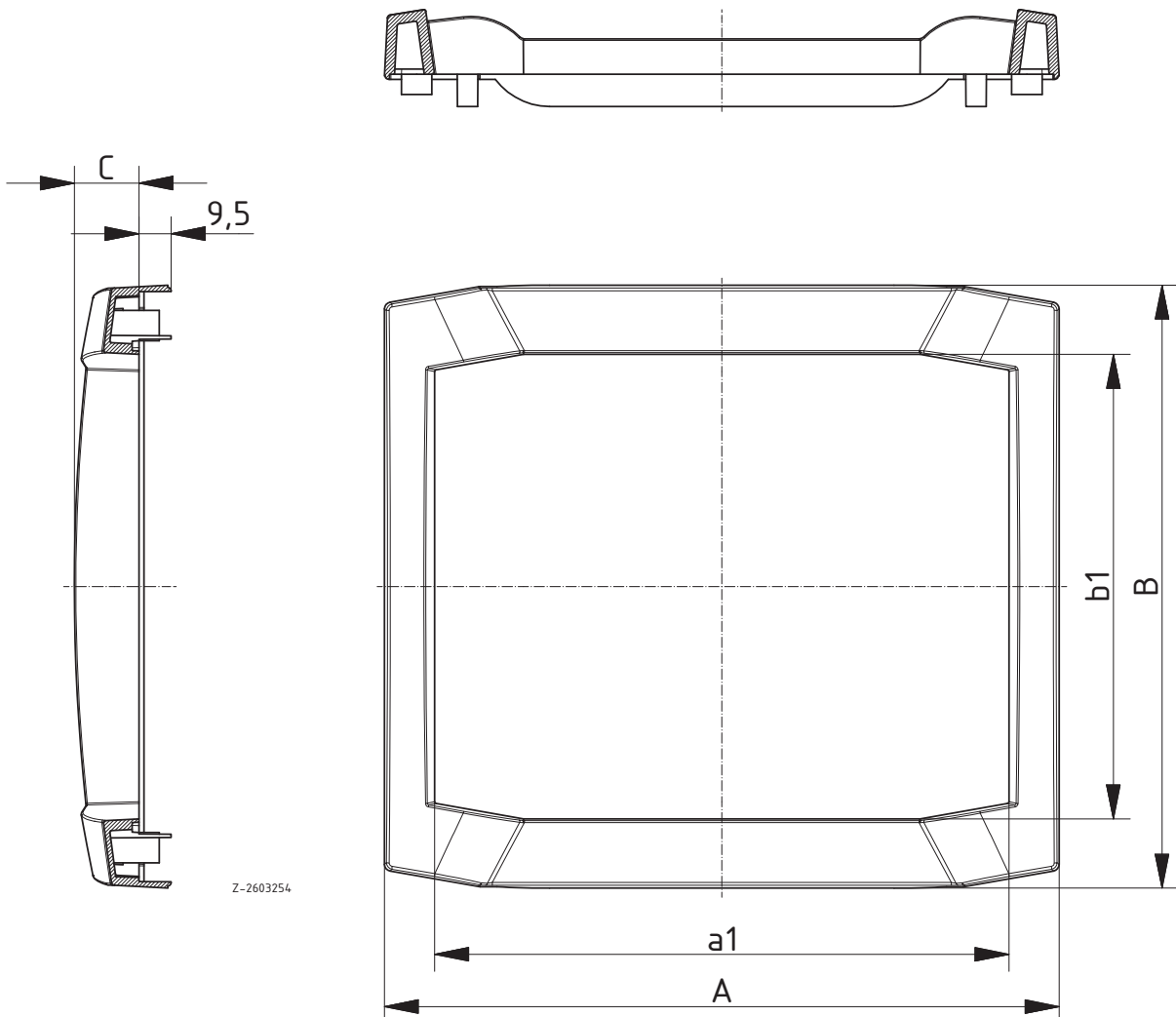
Lids



Open front frame, clip-on

Model	Order no.	A	B	C	a1	b1	Colour
BCD 160 FO-7035	20161135	199	177.85	19	169.3	137	Light grey
BCD 160 FO-7024	20161124	199	177.85	19	169.3	137	Graphite grey
BCD 200 FO-7035	20201135	229	202.85	18.7	199.7	162	Light grey
BCD 200 FO-7024	20201124	229	202.85	18.7	199.7	162	Graphite grey
BCD 250 FO-7035	20251135	264	232.85	18.6	235	192	Light grey
BCD 250 FO-7024	20251124	264	232.85	18.6	235	192	Graphite grey

Scope Of Delivery: 1 front frame



Bocard

Installation area

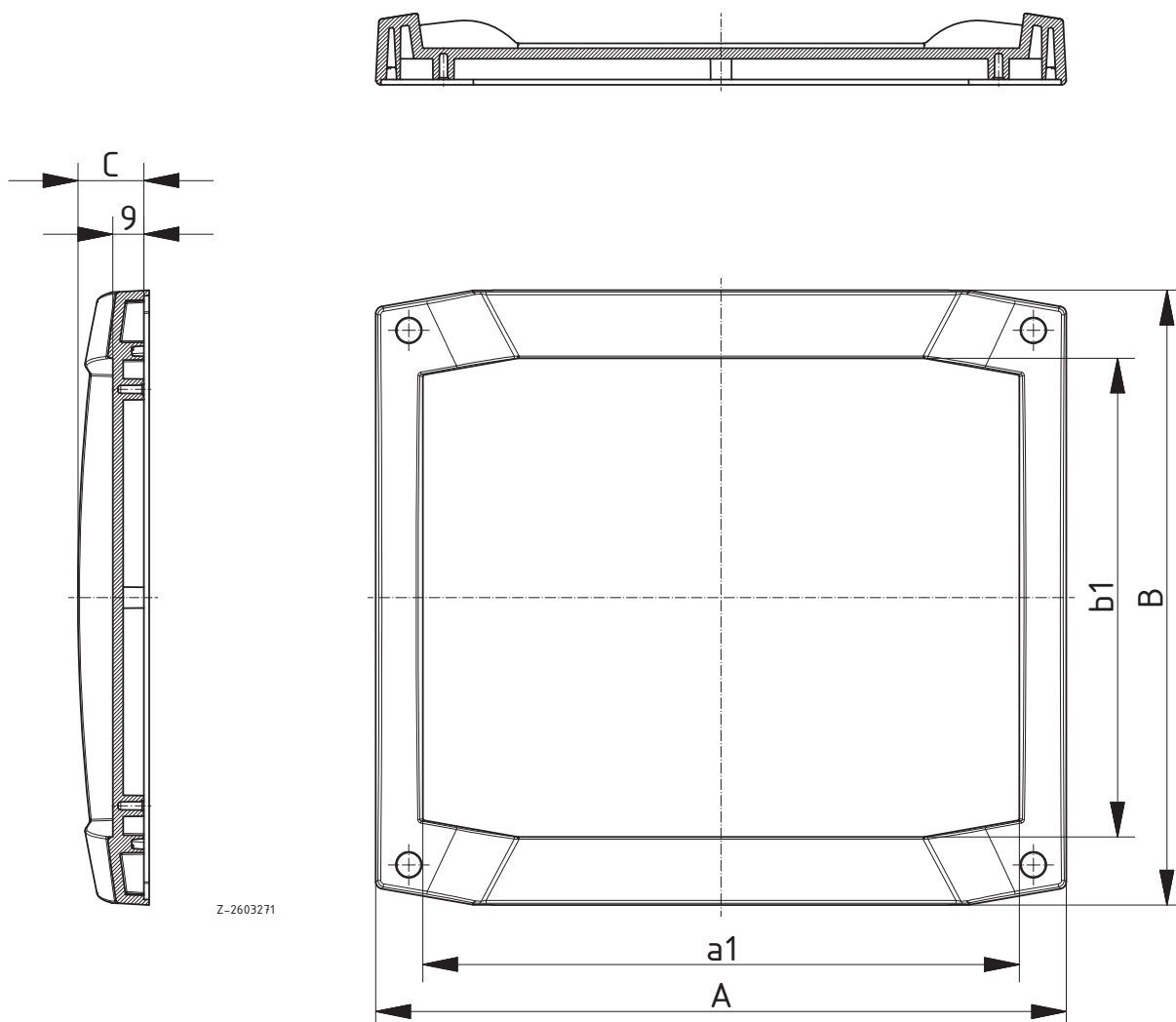
Installation area with membrane keypad area

Model	Order no.	A	B	C	a1	b1	Colour
BCD 160 CF-7035	20161435	199	177.85	19	171.9	137.9	Light grey
BCD 160 CF-7024	20161424	199	177.85	19	171.9	137.9	Graphite grey
BCD 200 CF-7035	20201435	229	202.85	18.7	202.2	162.9	Light grey
BCD 200 CF-7024	20201424	229	202.85	18.7	202.2	162.9	Graphite grey
BCD 250 CF-7035	20251435	264	232.85	18.6	237.5	192.9	Light grey
BCD 250 CF-7024	20251424	264	232.85	18.6	237.5	192.9	Graphite grey



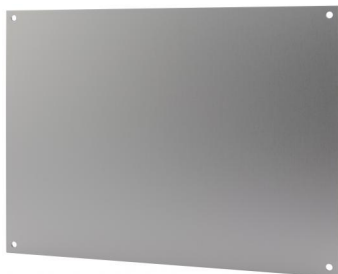
Scope Of Delivery: 1 installation area, screws, screw covers, sponge rubber seal

Notes: Alternatively the seal can be glued to the control panel (positioned over the internal cut-out) or to the installation area. Ingress protection acc. to DIN EN 60529 possible up to max. IP 65, depending on thickness and type of control panel.



Bocard

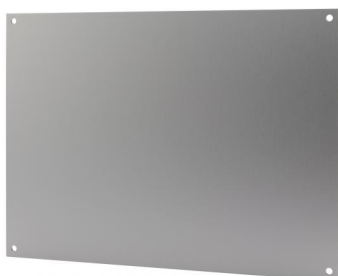
Front panels, mounting panels, partitions



Front panels, 1,5 mm, natural-coloured anodised aluminium

Model	Order no.	Note
BCD FP 160	20163000	For BCD 160, 165
BCD FP 200	20203000	For BCD 200, 205
BCD FP 250	20253000	For BCD 250, 255
BCD FP 310	20313000	For BCD 310, 315
BCD FP 400	20403000	For BCD 400, 405

Scope Of Delivery: 1 front panel



Front panels for enclosures with terminal compartment, 1,5 mm, natural-coloured anodised aluminium

Model	Order no.	Note
BCD FP 160 K	20163100*	For BCD 160, 165
BCD FP 200 K	20203100*	For BCD 200, 205
BCD FP 250 K	20253100*	For BCD 250, 255
BCD FP 310 K	20313100*	For BCD 310, 315
BCD FP 400 K	20403100*	For BCD 400, 405

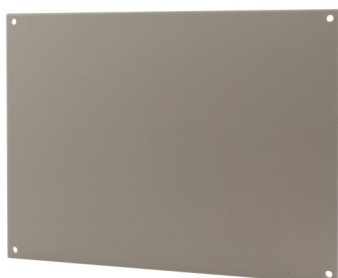
Scope Of Delivery: 1 front panel for enclosures with terminal compartment



Front panels for enclosures with 2 terminal compartments, 1,5 mm, natural-coloured anodised aluminium

Model	Order no.	Note
BCD FP 160 BK	20163200*	For BCD 160, 165
BCD FP 200 BK	20203200*	For BCD 200, 205
BCD FP 250 BK	20253200*	For BCD 250, 255
BCD FP 310 BK	20313200*	For BCD 310, 315
BCD FP 400 BK	20403200*	For BCD 400, 405

Scope Of Delivery: 1 front panel for enclosures with 2 terminal compartments



Front panels, ABS light grey, 2 mm, embossed on one side

Model	Order no.	Note
BCD FPK 160	20164000*	For BCD 160, 165
BCD FPK 200	20204000*	For BCD 200, 205
BCD FPK 250	20254000*	For BCD 250, 255
BCD FPK 310	20314000*	For BCD 310, 315
BCD FPK 400	20404000*	For BCD 400, 405

Scope Of Delivery: 1 front panel

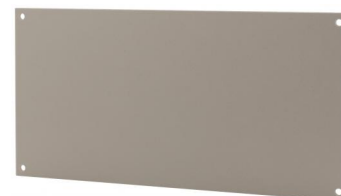
Bocard

Front panels, mounting panels, partitions

Front panels for enclosures with terminal compartment, ABS light grey, 2 mm, embossed on one side

Model	Order no.	Note
BCD FPK 160 K	20164100*	For BCD 160, 165
BCD FPK 200 K	20204100*	For BCD 200, 205
BCD FPK 250 K	20254100*	For BCD 250, 255
BCD FPK 310 K	20314100*	For BCD 310, 315
BCD FPK 400 K	20404100*	For BCD 400, 405

Scope Of Delivery: 1 front panel for enclosures with terminal compartment



Front panels for enclosures with 2 terminal compartments, ABS light grey, 2 mm, embossed on one side

Model	Order no.	Note
BCD FPK 160 BK	20164200*	For BCD 160, 165
BCD FPK 200 BK	20204200*	For BCD 200, 205
BCD FPK 250 BK	20254200*	For BCD 250, 255
BCD FPK 310 BK	20314200*	For BCD 310, 315
BCD FPK 400 BK	20404200*	For BCD 400, 405

Scope Of Delivery: 1 front panel for enclosures with 2 terminal compartments



Mounting panels, laminated paper

Model	Order no.	Note
BCD M 160	20166000	For BCD 160, 165
BCD M 200	20206000	For BCD 200, 205
BCD M 250	20256000	For BCD 250, 255
BCD M 310	20316000	For BCD 310, 315
BCD M 400	20406000	For BCD 400, 405

Scope Of Delivery: 1 mounting panel



Panels for dividing terminal compartments, insertable, laminated paper

Model	Order no.	Note
BCD TP 160	20165000	For BCD 160 UT
BCD TP 160-0,5	20165100	For BCD 160 UT-0,5
BCD TP 200	20205000	For BCD 200 UT
BCD TP 200-0,5	20205100	For BCD 200 UT-0,5
BCD TP 250	20255000	For BCD 250 UT
BCD TP 250-0,5	20255100	For BCD 250 UT-0,5
BCD TP 310	20315000	For BCD 310 UT
BCD TP 310 -0,5	20315100	For BCD 310 UT-0,5

Scope Of Delivery: 1 partition panel



Bocard

Front panels, mounting panels, partitions



Partitions for dividing electronics compartments, screw-on, laminated paper

Model	Order no.	Note
BCD TP 160 F	20165200	For BCD 160, 165
BCD TP 200 F	20205200	For BCD 200, 205
BCD TP 250 F	20255200	For BCD 250, 255
BCD TP 310 F	20315200	For BCD 310, 315
BCD TP 400 F	20405200	For BCD 400, 405

Scope Of Delivery: 1 partition panel

Bocard

Accessories

Terminal compartment lid with membrane keypad area, screw-on

Model	Order no.	Colour	Note
BCD 160 KRD-7035	20162035	Light grey	For BCD 160, 165
BCD 160 KRD-7024	20162024	Graphite grey	For BCD 160, 165
BCD 200 KRD-7035	20202035	Light grey	For BCD 200, 205
BCD 200 KRD-7024	20202024	Graphite grey	For BCD 200, 205
BCD 250 KRD-7035	20252035	Light grey	For BCD 250, 255
BCD 250 KRD-7024	20252024	Graphite grey	For BCD 250, 255
BCD 310 KRD-7035	20312035	Light grey	For BCD 310, 315
BCD 310 KRD-7024	20312024	Graphite grey	For BCD 310, 315
BCD 400 KRD-7035	20402035	Light grey	For BCD 400, 405
BCD 400 KRD-7024	20402024	Graphite grey	For BCD 400, 405



Scope Of Delivery: 1 terminal compartment lid, 2 screws

Handle elements, graphite grey

Model	Order no.	Note
BCD 160 GE-7024	20167024	For BCD 160, 165
BCD 200 GE-7024	20207024	For BCD 200, 205
BCD 250 GE-7024	20257024	For BCD 250, 255



Scope Of Delivery: 2 handle elements (plastic), 1 cover for hinge bearing, 8 screws, 6 rubber feet

Tip-up bow for handle element

Model	Order no.	Note
BCD 160 GE-B	20167100	For BCD 160 GE-7024
BCD 200 GE-B	20207100	For BCD 200 GE-7024
BCD 250 GE-B	20257100	For BCD 250 GE-7024



Scope Of Delivery: 1 tip-up bow

Handle / Tip-up bow, hinged

Model	Order no.	Note
BCD 160 HS 2-9005	20008070	For BCD 160, 165
BCD 200 HS 2-9005	20008071	For BCD 200, 205
BCD 250 HS 2-9005	20008072	For BCD 250, 255

Scope Of Delivery: HS: Handle side parts (PA6), seals, screws HSP: profile (aluminium)

Notes: BOPLA can carry out the necessary processing of the base with individual adaptation of the position.



Wall brackets

Model	Order no.	Colour
BCD WL-7035	20007000	Light grey
BCD WL-7024	20007100	Graphite grey

Scope Of Delivery: 4 wall brackets, screws

Notes: For 4-point wall fixing without opening the enclosure. Fitting to rear of enclosure from the outside.

Suitable for all enclosures in this series.



Bocard Accessories



Suspension elements for easy wall mounting

Model	Order no.	Colour
BCD WA-7035	20008085	Light grey
BCD WA-7024	20008086	Graphite grey

Scope Of Delivery: 2 wall fittings (for attaching the enclosure from above), 2 wall brackets (for fixing the enclosure with screws from below), screws

Notes: Suitable for direct wall fixing of a complete device. Fixing takes place via the lower wall brackets.



Wall-mounting fastening bracket

Model	Order no.	Colour	Note
BCD 160 WB-7035	20008080	Light grey	For BCD 160, 165
BCD 200 WB-7035	20008081	Light grey	For BCD 200, 205
BCD 250 WB-7035	20008082	Light grey	For BCD 250, 255

Scope Of Delivery: 1 wall-mounting fastening bracket (powder-coated sheet steel), screws

Notes: Special colours on request. Fitting to the enclosure rear is from the outside.



Wall fitting for flat bases (BCD...-0,5), swivelling

Model	Order no.	Note
BCD 160-0.5-7024 UWB	20816024	For BCD 160, 165
BCD 200-0.5-7024 UWB	20820024	For BCD 200, 205
BCD 250-0.5-7024 UWB	20825024	For BCD 250, 255

Scope Of Delivery: Profile (aluminium), 2 PA6 side flanges (complete), screws, covers

Notes: Fixed positions in 10° detent stages. Processing of the enclosure on request.



DIN rails TS 15 / TS 35, top hat rail DIN EN 60715 TH 15 / TH 35

Model	Order no.	Note
TS 15.160.1	22151601	For BCD 160, 165, terminal compartment, down
TS 35.160.1	22351601	For BCD 160, 165, centre down
TS 15	22151851	For BCD 160, 165 terminal compartment up, B 2330.. (crosswise)
TS 15.215.1	22152151	For BCD 200, 205, terminal compartment up
TS 35.198.1	22351981	For BCD 200, 205, centre on distance bolt
TS 15.225.1	22152251	For BCD 250, 255, terminal compartment down
TS 15.250.1	22152501	For BCD 250, terminal compartment up
TS 35.225.1	22352251	For BCD 250, 255, terminal compartment, down / centre down
TS 35.233.1	22352331	For BCD 250, 255, centre on distance bolt
TS 35.176.1	22351761	For BCD 310, 315
TS 35.288.1	22352881	For BCD 310, 315
TS 35.216.1	22352161	For BCD 400, 405
TS 35.367.1	22353671	For BCD 400, 405

Scope Of Delivery: 1 DIN rail

Bocard

Accessories

Cylinder lock for front lid BCD...OT-G and BCD...OT-FSC-...

Model	Order no.
SHLO 402	21008320

Scope Of Delivery: 1 lock, 2 keys

Notes: The lock can be inserted into the opening in the BCD ... OT-G and BCD...OT-FSC-... at a later date. If a blind plug or catch has been fitted, it can be pushed out from the rear. The key can only be removed from the locked position.



DIN rail holder for rails DIN EN 60715 TH 35, polyamide

Model	Order no.	Colour
TSH 35-2	20035000	Black, similar to RAL 9005

Scope Of Delivery: 2 DIN rail holders, screws

Notes: Fixing domes for fitting of the TSH 35-2 are already moulded onto the Bocard bases up to size BCD 250. The ingress protection category for the Bocard enclosure is not affected.



Fixing screws for DIN rails, front / mounting panels and partitions

Model	Order no.
SHR Z KA30x10	59006233

Scope Of Delivery: 1 screw



Distance bolts for mounting bosses, Ø 2.4-2.6 mm

Model	Order no.	Note
DIBLZ AK 30x5/IM3/10	59006986	ND = 2,4-2,6, length 10mm, SW 5,5

Scope Of Delivery: 1 distance bolt

Notes: The distance bolt can also be used to fix PCBs or mounting panels. This also makes it possible to fit (clearance 10 mm; M3) a parallel PCB or mounting panel. ND = boss internal diameter.

