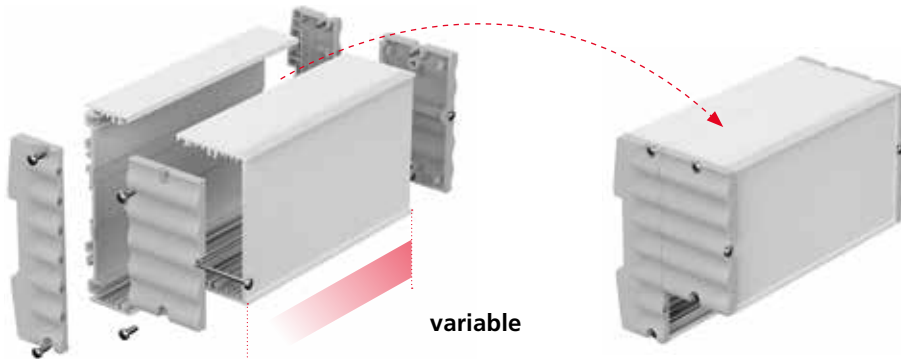


## The product advantages



The enclosure body consists of anodised aluminium profiles and can be adapted to any application.



Divided profile variants are available for even more design freedom or the contact-free installation of PCBs with connectors and operating elements.



Combining basic profiles with module profiles which can be mounted in different ways makes it possible to create individual enclosure configurations.



Plastic end profile caps create a visually standardised appearance. We also manufacture anodised sheet aluminium application-specific lids for especially creative configurations.

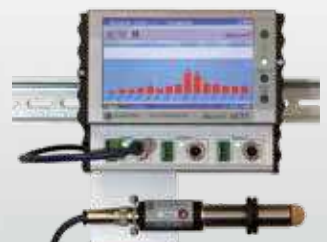


Easy mounting on a DIN rail acc. to DIN EN 60715 TH 35 by means of a moulded-on holding device and reliable snap-lock elements.



**Quick-Finder:**  
[www.bopla.de/87](http://www.bopla.de/87)

## Examples of use



# Alurail



## Colour:

Profile anodized in natural color

Profile caps:

● Light grey, similar to RAL 7035

Special colours on request

## Protection class:

Depending on the enclosure structure  
up to IP40 / DIN EN 60529

## Material:

Extruded profiles: Al Mg Si 0,5 anodized

Profile caps: polyamide 6.6 FR

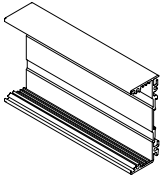
For details see technical information.



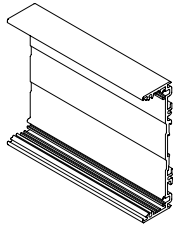
## Components

### Basic profile

ARP 75/31

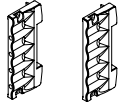


ARP 105/31



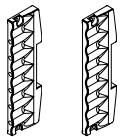
### Basic profile caps

AR 75/31



KS 1 KS 2

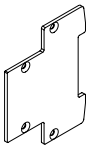
AR 105/31



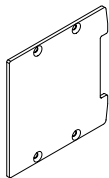
KS 1 KS 2

### Side panels for basic profile

AR 75/45  
KS-AL



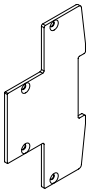
AR 75/75  
KS-AL



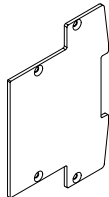
AR 75  
KS-AL



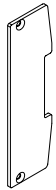
AR 105/45  
KS-AL



AR 105/75  
KS-AL

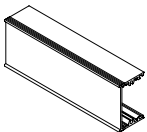


AR 105  
KS-AL

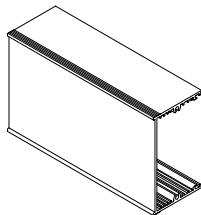


### Module profile

ARPM 45/27



ARPM 75/42



### Module profile caps

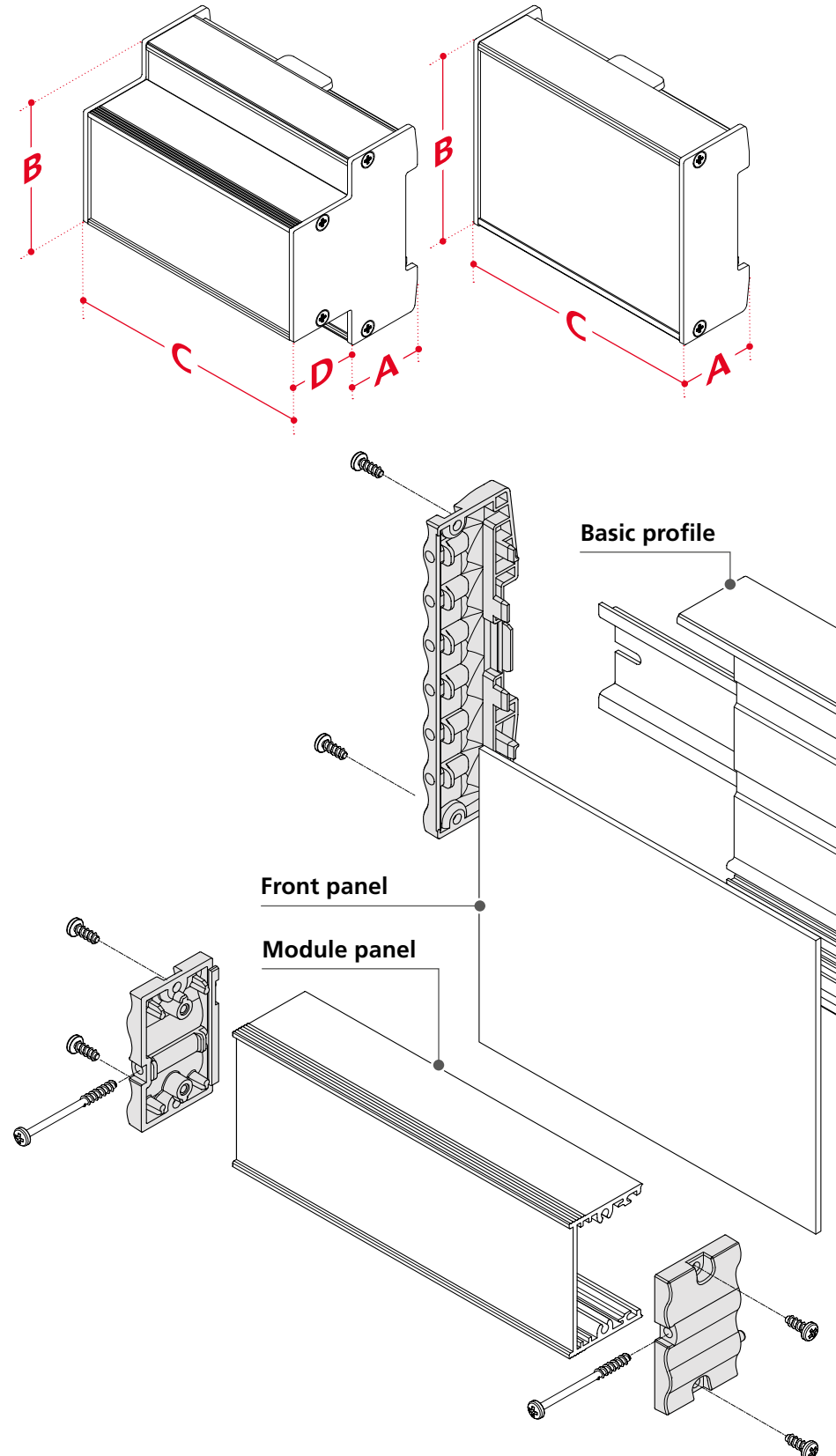
ARM 45/27



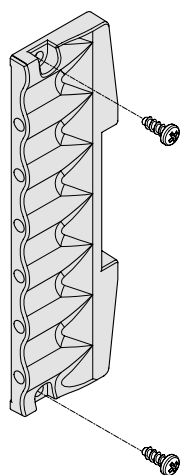
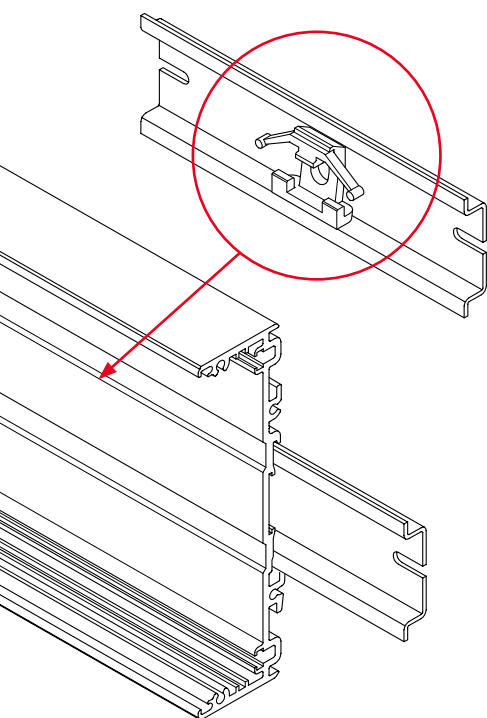
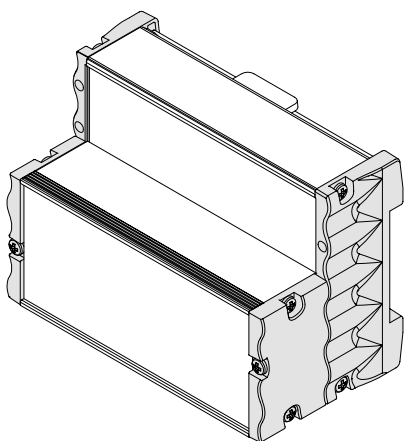
ARM 75/42



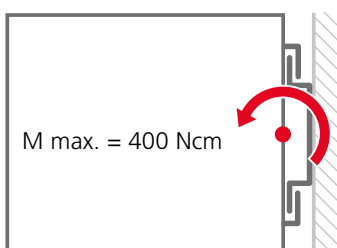
## Design example



# Alurail



## Load capacity of DIN rail holder



## Dimensions

Model	A	B (ARP(G) 75...)	B (ARP 105...)	C
<b>Basic profile</b>				
ARP(G) .../31-52.5	25.5	75	105	42.5
ARP(G) .../31-70	25.5	75	105	60
ARP(G) .../31-105	25.5	75	105	95
ARP(G) .../31-140	25.5	75	105	130
ARP(G) .../31-175	25.5	75	105	165
ARP(G) .../31-210	25.5	75	105	200
ARP(G) .../31-245	25.5	75	105	235
ARP(G) .../31-1000	25.5	75	105	990

Module profile	D	B	C
ARPM(G) 45/27-35	28.1	45	25
ARPM(G) 45/27-52.5	28.1	45	42.5
ARPM(G) 45/27-70	28.1	45	60
ARPM(G) 45/27-105	28.1	45	95
ARPM(G) 45/27-140	28.1	45	130
ARPM(G) 45/27-175	28.1	45	165
ARPM(G) 45/27-210	28.1	45	200
ARPM(G) 45/27-245	28.1	45	235
ARPM(G) 45/27-1000	28.1	45	990
ARPM(G) 75/42-35	43.1	75	25
ARPM(G) 75/42-52.5	43.1	75	42.5
ARPM(G) 75/42-70	43.1	75	60
ARPM(G) 75/42-105	43.1	75	95
ARPM(G) 75/42-140	43.1	75	130
ARPM(G) 75/42-175	43.1	75	165
ARPM(G) 75/42-210	43.1	75	200
ARPM(G) 75/42-245	43.1	75	235
ARPM(G) 75/42-1000	43.1	75	990

## Accessories



Wall fitting for basic profile



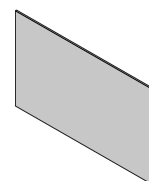
Snap-on element for basic profile



Earthing set or basic profile



Reinforcing spring for snap-on element



Front panels in different versions

# Alurail

## Basic profiles, one-piece

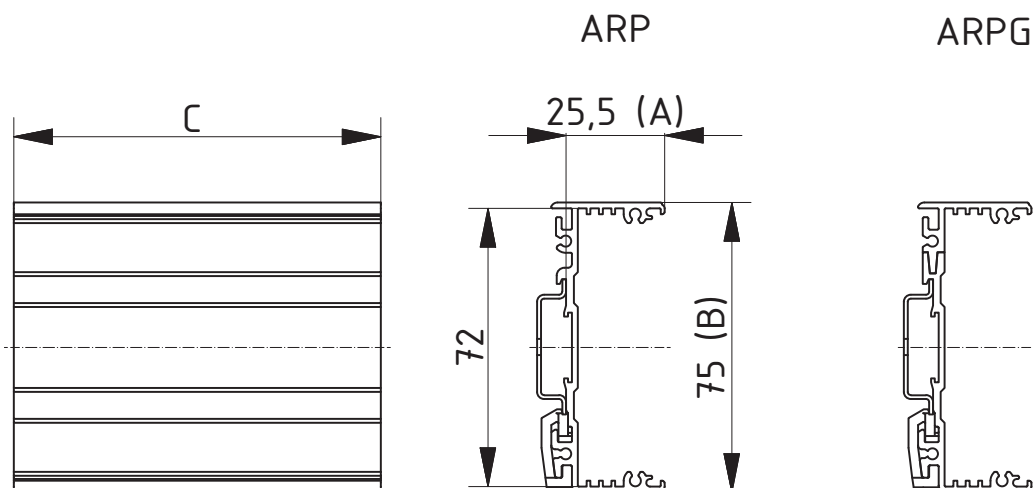


### Basic profiles, one-piece

Model	Order no.	A	B	C
ARP 75/31-52,5	87010525	25.5	75	42.5
ARP 75/31-70	87010700	25.5	75	60
ARP 75/31-105	87011050	25.5	75	95
ARP 75/31-140	87011400	25.5	75	130
ARP 75/31-175	87011750	25.5	75	165
ARP 75/31-210	87012100	25.5	75	200
ARP 75/31-245	87012450	25.5	75	235
ARP 75/31-1000	87010000	25.5	75	990

**Scope Of Delivery:** Enclosure profile

**Notes:** C = profile length; special lengths on request. Front panels and profile caps as accessories.



Z-2603257

# Alurail

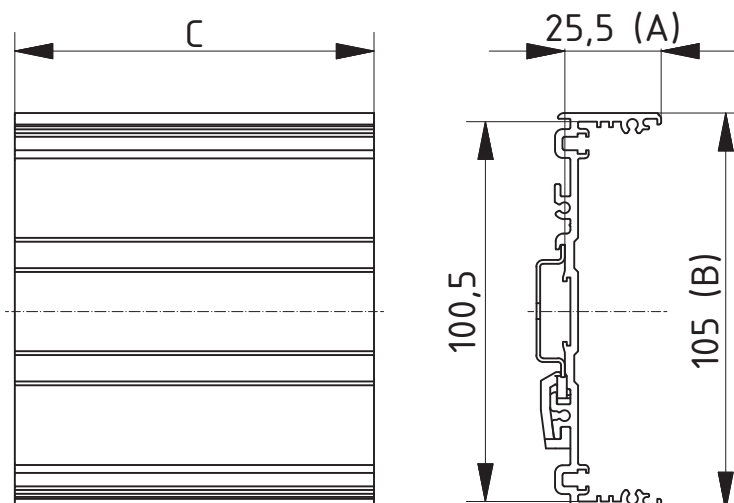
## Basic profiles, one-piece

### Basic profiles, one-piece

Model	Order no.	A	B	C
ARP 105/31-52,5	87020525	25.5	105	42.5
ARP 105/31-70	87020700	25.5	105	60
ARP 105/31-105	87021050	25.5	105	95
ARP 105/31-140	87021400	25.5	105	130
ARP 105/31-175	87021750	25.5	105	165
ARP 105/31-210	87022100	25.5	105	200
ARP 105/31-245	87022450	25.5	105	235
ARP 105/31-1000	87020000	25.5	105	990

**Scope Of Delivery:** Enclosure profile

**Notes:** C = profile length; special lengths on request. Front panels and profile caps as accessories.



Z-2603259

# Alurail

## Basic profiles, divided

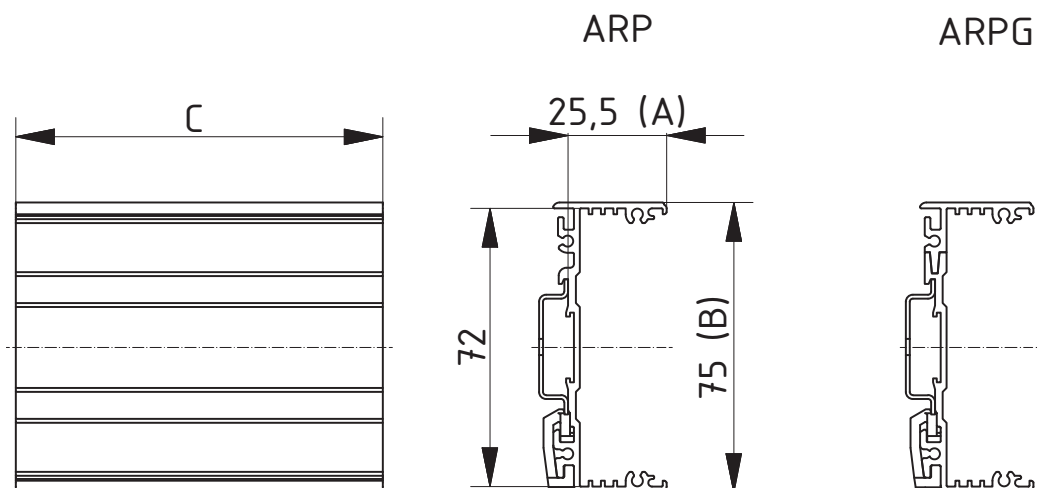


### Basic profiles, divided

Model	Order no.	A	B	C
ARPG 75/31-52,5	87030525	25.5	75	42.5
ARPG 75/31-70	87030700	25.5	75	60
ARPG 75/31-105	87031050	25.5	75	95
ARPG 75/31-140	87031400	25.5	75	130
ARPG 75/31-175	87031750	25.5	75	165
ARPG 75/31-210	87032100	25.5	75	200
ARPG 75/31-245	87032450	25.5	75	235
ARPG 75/31-1000	87030000	25.5	75	990

**Scope Of Delivery:** Enclosure profile, 2 parts

**Notes:** C = profile length; special lengths on request. Front panels and profile caps as accessories.



Z-2603257

# Alurail

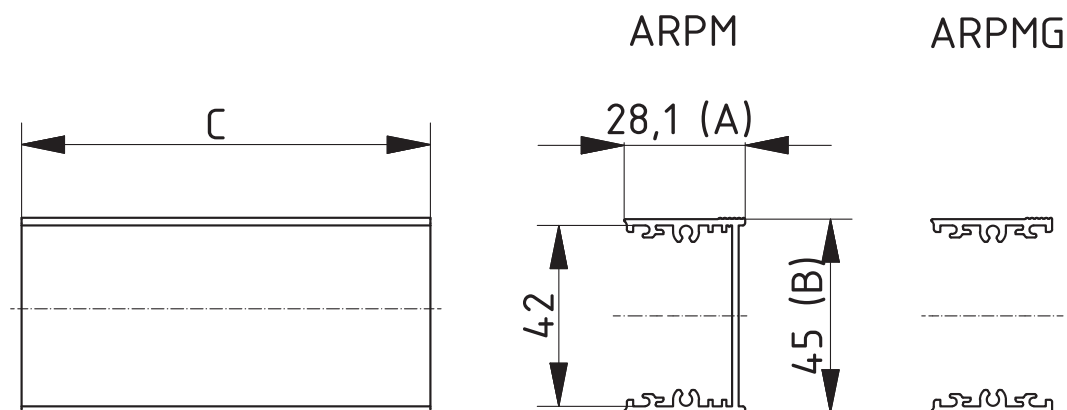
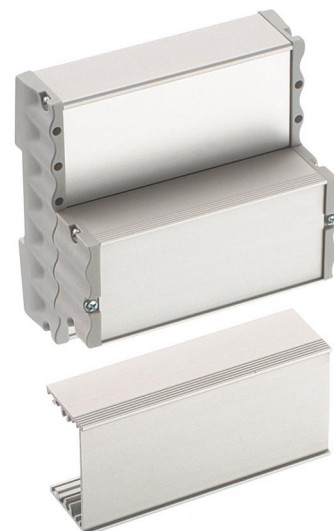
## Module profiles, one-piece

### Module profiles, one-piece

Model	Order no.	A	B	C			
ARPM 45/27-35	<b>87100350</b>	28.1	45	25			
ARPM 45/27-52,5	<b>87100525</b>	28.1	45	42.5			
ARPM 45/27-70	<b>87100700</b>	28.1	45	60			
ARPM 45/27-105	<b>87101050</b>	28.1	45	95			
ARPM 45/27-140	<b>87101400</b>	28.1	45	130			
ARPM 45/27-175	<b>87101750</b>	28.1	45	165			
ARPM 45/27-210	<b>87102100</b>	28.1	45	200			
ARPM 45/27-245	<b>87102450</b>	28.1 </tr <tr> <td>ARPM 45/27-1000</td> <td><b>87100000</b></td> <td>28.1</td> <td>45</td> <td>990</td> </tr>	ARPM 45/27-1000	<b>87100000</b>	28.1	45	990
ARPM 45/27-1000	<b>87100000</b>	28.1	45	990			

**Scope Of Delivery:** Module profile

**Notes:** C = profile length; special lengths and module bridges for partial module mounting on request. Module caps as accessories.





# Alurail

## Module profiles, one-piece

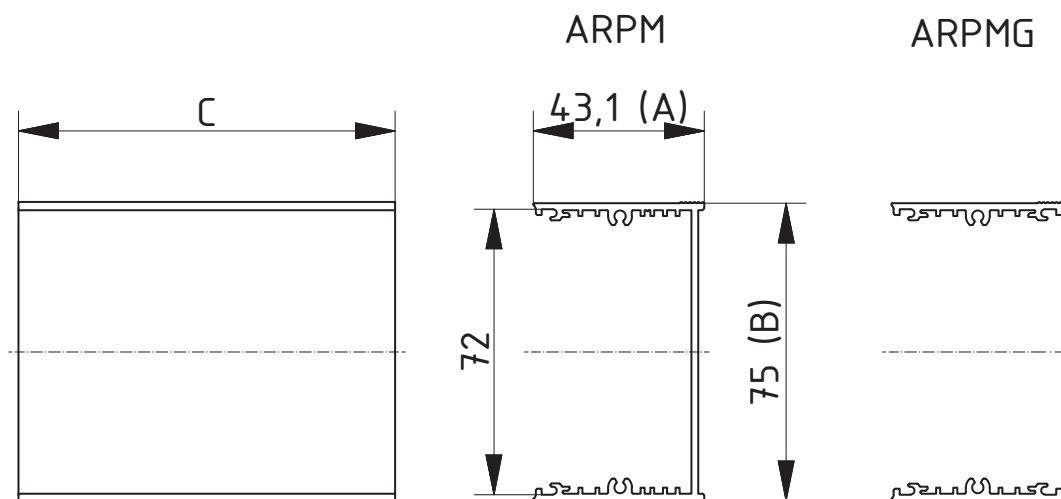


### Module profiles, one-piece

Model	Order no.	A	B	C
ARPM 75/42-35	87110350	43.1	75	25
ARPM 75/42-52,5	87110525	43.1	75	42.5
ARPM 75/42-70	87110700	43.1	75	60
ARPM 75/42-105	87111050	43.1	75	95
ARPM 75/42-140	87111400	43.1	75	130
ARPM 75/42-175	87111750	43.1	75	165
ARPM 75/42-210	87112100	43.1	75	200
ARPM 75/42-245	87112450	43.1	75	235
ARPM 75/42-1000	87110000	43.1	75	990

**Scope Of Delivery:** Module profile

**Notes:** C = profile length; special lengths and module bridges for partial module mounting on request. Module caps and front panels as accessories.



Z-2603262

# Alurail

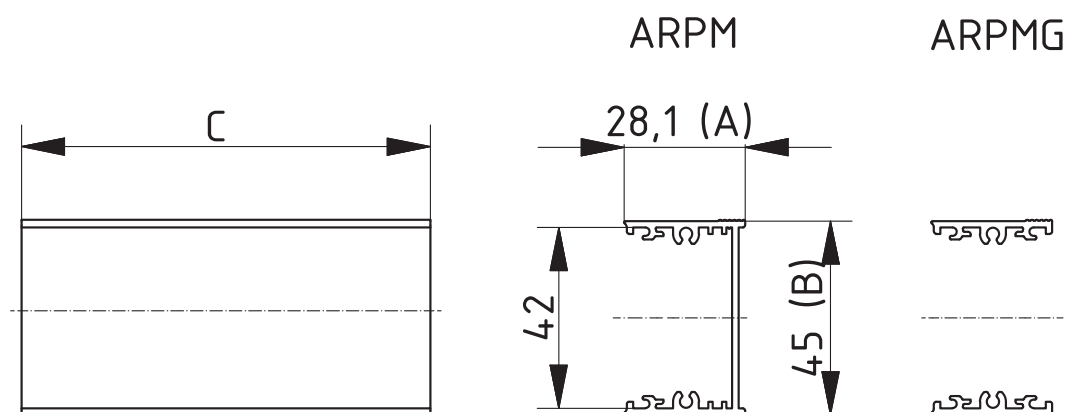
## Module profiles, divided

### Module profiles, divided

Model	Order no.	A	B	C
ARPMG 00/27-35	<b>87120350</b>	28.1	45	25
ARPMG 00/27-52,5	<b>87120525</b>	28.1	45	42.5
ARPMG 00/27-70	<b>87120700</b>	28.1	45	60
ARPMG 00/27-105	<b>87121050</b>	28.1	45	95
ARPMG 00/27-140	<b>87121400</b>	28.1	45	130
ARPMG 00/27-175	<b>87121750</b>	28.1	45	165
ARPMG 00/27-210	<b>87122100</b>	28.1	45	200
ARPMG 00/27-245	<b>87122450</b>	28.1	45	235
ARPMG 00/27-1000	<b>87120000</b>	28.1	45	990

**Scope Of Delivery:** Module profile, 2 parts

**Notes:** C = profile length; special lengths and module bridges for partial module mounting on request. Module caps and front panels as accessories.



# Alurail

## Module profiles, divided

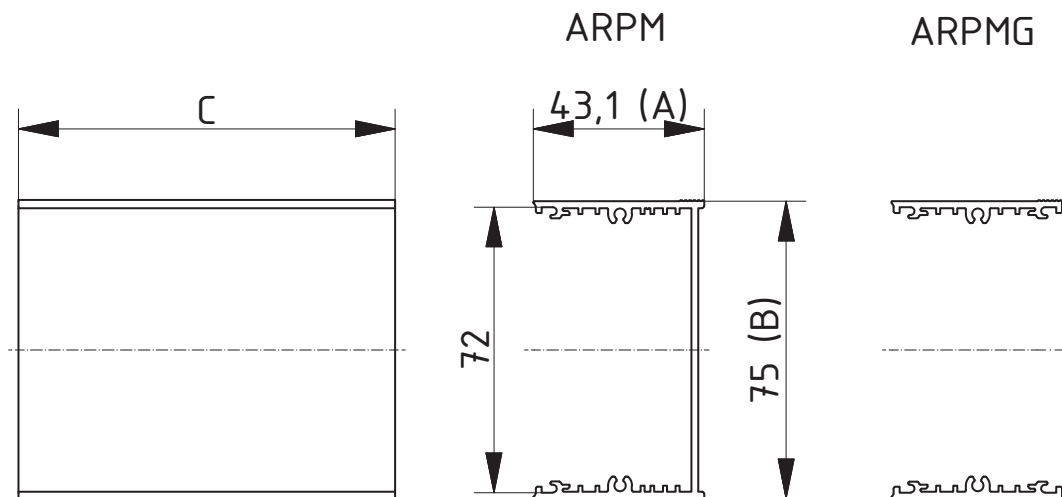


### Module profiles, divided

Model	Order no.	A	B	C
ARPMG 00/42-35	87130350	43.1	75	25
ARPMG 00/42-52,5	87130525	43.1	75	42.5
ARPMG 00/42-70	87130700	43.1	75	60
ARPMG 00/42-105	87131050	43.1	75	95
ARPMG 00/42-140	87131400	43.1	75	130
ARPMG 00/42-175	87131750	43.1	75	165
ARPMG 00/42-210	87132100	43.1	75	200
ARPMG 00/42-245	87132450	43.1	75	235
ARPMG 00/42-1000	87130000	43.1	75	990

**Scope Of Delivery:** Module profile, 2 parts

**Notes:** C = profile length; special lengths and module bridges for partial module mounting on request. Module caps and front panels as accessories.



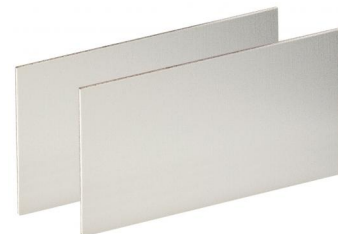
Z-2603262

# Alurail

## Front panel

### Front panels for basic profiles, 2 mm, natural-coloured anodised aluminium

Model	Order no.	Note
AR 75-52,5 FP	<b>87400525</b>	For ARP(G) 75/31-52,5
AR 75-70 FP	<b>87400700</b>	For ARP(G) 75/31-70
AR 75-105 FP	<b>87401050</b>	For ARP(G) 75/31-105
AR 75-140 FP	<b>87401400</b>	For ARP(G) 75/31-140
AR 75-175 FP	<b>87401750</b>	For ARP(G) 75/31-175
AR 75-210 FP	<b>87402100</b>	For ARP(G) 75/31-210
AR 75-245 FP	<b>87402450</b>	For ARP(G) 75/31-245
AR 75-1000 FP	<b>87400000</b>	For ARP(G) 75/31-1000
AR 105-52,5 FP	<b>87410525</b>	For ARP(G) 105/31-52,5
AR 105-70 FP	<b>87410700</b>	For ARP(G) 105/31-70
AR 105-105 FP	<b>87411050</b>	For ARP(G) 105/31-105
AR 105-140 FP	<b>87411400</b>	For ARP(G) 105/31-140
AR 105-175 FP	<b>87411750</b>	For ARP(G) 105/31-175
AR 105-210 FP	<b>87412100</b>	For ARP(G) 105/31-210
AR 105-245 FP	<b>87412450</b>	For ARP(G) 105/31-245
AR 105-1000 FP	<b>87410000</b>	For ARP(G) 105/31-1000



Scope Of Delivery: 1 front panel

### Front panels for module profiles, 2 mm, natural-coloured anodised aluminium

Model	Order no.	Note
ARM 45-35 FP	<b>87420350</b>	For ARPM(G) 45(00)/27-35
ARM 45-52,5 FP	<b>87420525</b>	For ARPM(G) 45(00)/27-52,5
ARM 45-70 FP	<b>87420700</b>	For ARPM(G) 45(00)/27-70
ARM 45-105 FP	<b>87421050</b>	For ARPM(G) 45(00)/27-105
ARM 45-140FP	<b>87421400</b>	For ARPM(G) 45(00)/27-140
ARM 45-175 FP	<b>87421750</b>	For ARPM(G) 45(00)/27-175
ARM 45-210 FP	<b>87422100</b>	For ARPM(G) 45(00)/27-210
ARM 45-245 FP	<b>87422450</b>	For ARPM(G) 45(00)/27-245
ARM 45-1000 FP	<b>87420000</b>	For ARPM(G) 45(00)/27-1000
ARM 75-35 FP	<b>87430350</b>	For ARPM(G) 75(00)/42-35
ARM 75-52,5 FP	<b>87430525</b>	For ARPM(G) 75(00)/42-52,5
ARM 75-70 FP	<b>87430700</b>	For ARPM(G) 75(00)/42-70
ARM 75-105 FP	<b>87431050</b>	For ARPM(G) 75(00)/42-105
ARM 75-140 FP	<b>87431400</b>	For ARPM(G) 75(00)/42-140
ARM 75-175 FP	<b>87431750</b>	For ARPM(G) 75(00)/42-175
ARM 75-210 FP	<b>87432100</b>	For ARPM(G) 75(00)/42-210
ARM 75-245 FP	<b>87432450</b>	For ARPM(G) 75(00)/42-245
ARM 75-1000 FP	<b>87430000*</b>	For ARPM(G) 75(00)/42-1000

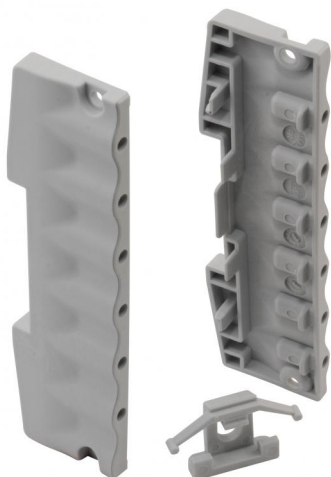


Scope Of Delivery: 1 front panel

# Alurail

## Profile caps & panels

### Basic profile caps with drill holes for fixing the module

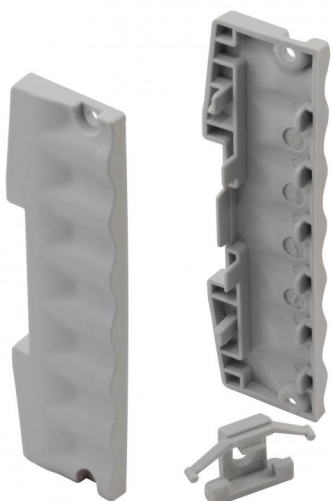


Model	Order no.	Colour	Note
AR 75/31-KS 1	<b>87301100</b>	Light grey	For ARP(G) 75
AR 105/31-KS 1	<b>87301200</b>	Light grey	For ARP 105

**Scope Of Delivery:** 2 basic profile caps, 4 fixing screws, 1 snap-on element, 1 positioning screw for snap-on element

**Notes:** Special colours on request.

### Basic profile caps without drill holes

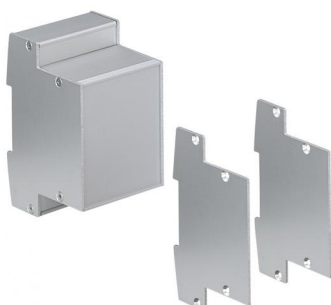


Model	Order no.	Colour	Note
AR 75/31-KS 2	<b>87302100</b>		For ARP(G) 75
AR 105/31-KS 2	<b>87302200</b>	Light grey	For ARP 105

**Scope Of Delivery:** 2 basic profile caps, 4 fixing screws, 1 snap-on element, 1 positioning screw for snap-on element

**Notes:** Special colours on request.

### Side panels for basic profile, natural-coloured anodised aluminium



Model	Order no.	Note
AR 75-KS-AL	<b>87304100</b>	For ARP(G) 75/31-...
AR 75/45-KS-AL	<b>87304200</b>	For ARP(G) 75/31-... + ARPM(G) 45/27-...
AR 75/75-KS-AL	<b>87304300</b>	For ARP(G) 75/31-... + ARPM(G) 75/42-...
AR 105-KS-AL	<b>87304110</b>	For ARP 105/31-...
AR 105/45-KS-AL	<b>87304210</b>	For ARP 105/31-... + ARPM(G) 45/27-...
AR 105/75-KS-AL	<b>87304310</b>	For ARP 105/31-... + ARPM(G) 75/42-...

**Scope Of Delivery:** 2 side panels, 4 fixing screws, 1 snap-on element, 1 positioning screw for snap-on element

**Notes:** Can be used as an alternative to the profile/module caps. This permits an especially narrow construction for the units. In place of basic profile front panel AR 75-...FP, it is necessary to use module profile front panel ARM 75-...FP or module profile front panel ARM 105-...FP. These profile front panels, or special designs for off-centre positioning of the module profiles, are available on request.

# Alurail

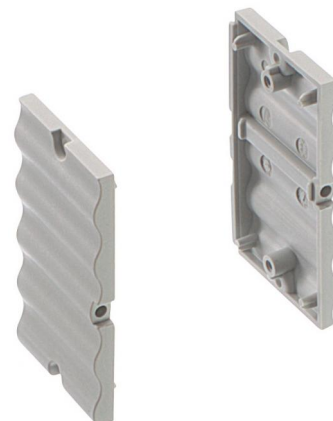
## Profile caps & panels

### Module profile caps

Model	Order no.	Colour	Note
ARM 45/27	<b>87303100</b>	Light grey	For ARPM(G) 45
ARM 75/42	<b>87303200</b>	Light grey	For ARPM(G) 75

**Scope Of Delivery:** 2 module profile caps, 4 fixing screws, 2 mounting screws

**Notes:** Special colours on request.



# Alurail

## Accessories



### Wall fitting for the basic profile, polyamide

Model	Order no.	Note
AR 52,5 WB	87310525	For ARP...-52,5
AR 70 WB	87310700	For ARP...-70
AR 105 WB	87311050	For ARP...-105
AR 140 WB	87311400	For ARP...-140
AR 175 WB	87311750	For ARP...-175
AR 210 WB	87312100	For ARP...-210
AR 245 WB	87312450	For ARP...-245

**Scope Of Delivery:** 2 wall fixing elements, 1 DIN rail

**Notes:** The DIN rail length is identical to that of the relevant basic profile length of ARP 75 / ARP 105.



### Earthing set for basic profiles

Model	Order no.
AR-E	87309010

**Scope Of Delivery:** 5 earthing claws

**Notes:** The earthing claw is pressed into the basic profile during assembly and breaks through the anodised layer, so ensuring proper contacting. The use of commercially available cable lugs for flat connectors acc. to DIN 46244-A6.3-0.8 permits earthing of the enclosure parts or the fitted components. Cannot be used directly with AR.... KS-AL. The side panels require additional processing for use of the earthing claws.



### Snap-on element for basic profiles, suitable for DIN rails acc. to DIN EN 60715 TH 35, polyamide

Model	Order no.
AR-R	87309020

**Scope Of Delivery:** 5 snap-on elements, 5 positioning screws

**Notes:** Depending on the application, an additional snap-on element may be necessary with longer profiles to ensure optimal support on the DIN rail.



### Reinforcing spring, spring steel

Model	Order no.
AR-FED-BL	59009382

**Scope Of Delivery:** 1 reinforcing spring

**Notes:** To optimise the spring pressure, the reinforcing spring can also be mounted together with the snap-lock element.



**BOPLA**

A Phoenix Mecano Company