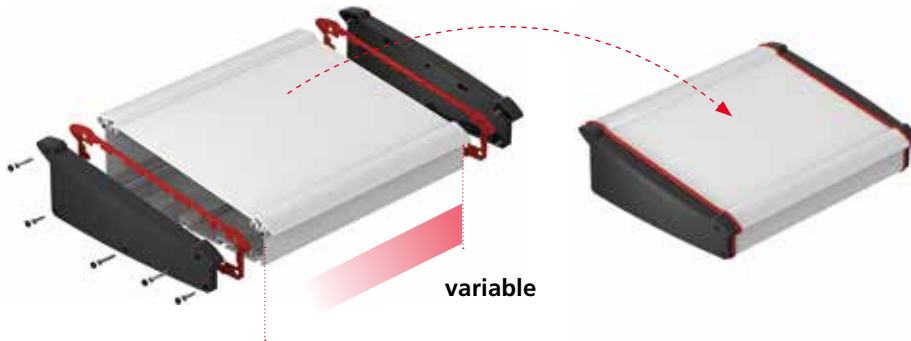


The product advantages



The enclosure body consists of anodised aluminium profiles and can be adapted to any application (coloured design seals only with the ATPH-IP variant).



Plastic lids are available as profile ends in three standard colours – and now also in black, as many customers have requested. The ATPH-IP variant also has a design seal.



The split enclosure profile allows easy access to the interior, and fast, problem-free mounting of the electronic components.



The factory-fitting of a round cord seal in combination with the AT...DI seal ensures that the ATPH variant (left) achieves protection class IP54. The ATPH-IP version (right) provides IP65 protection as standard.



The profiles are equipped with various plug-in slots and also screw channels for alternative uses for mounting circuit boards.



Quick-Finder:
www.bopla.de/92

Examples of use





BOPLA

A Phoenix Mecano Company

Alu-Topline



Colour:

Profile anodized in natural color

Plastic lid:

● Graphite grey, similar to RAL 7024

● Black, similar to RAL 9005

Special colours on request

Protection class:

ATPH: IP 40; optional IP 54 DIN EN 60529;

ATPH-IP: IP 65 DIN EN 60529

Material:

Extruded profiles: Al Mg Si 0,5; anodized

Plastic lid: ABS

Design seal: TPE

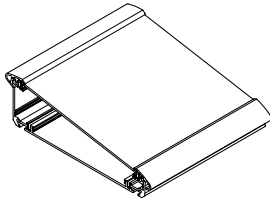
Seal: EPDM

For details see technical information.

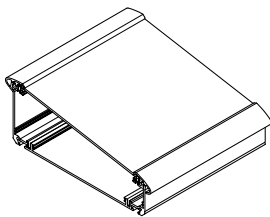


Cross-sections

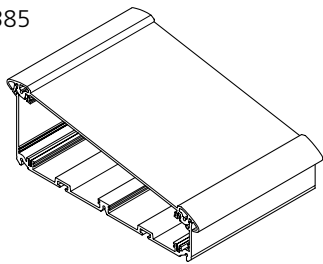
ATPH 1850



ATPH 1865

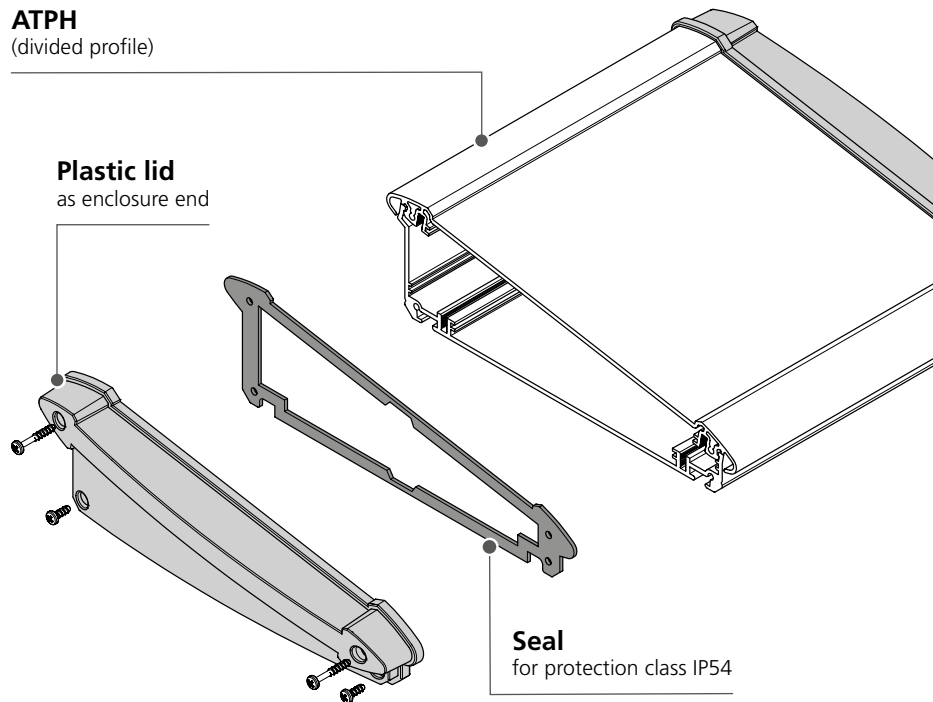


ATPH-IP 2385

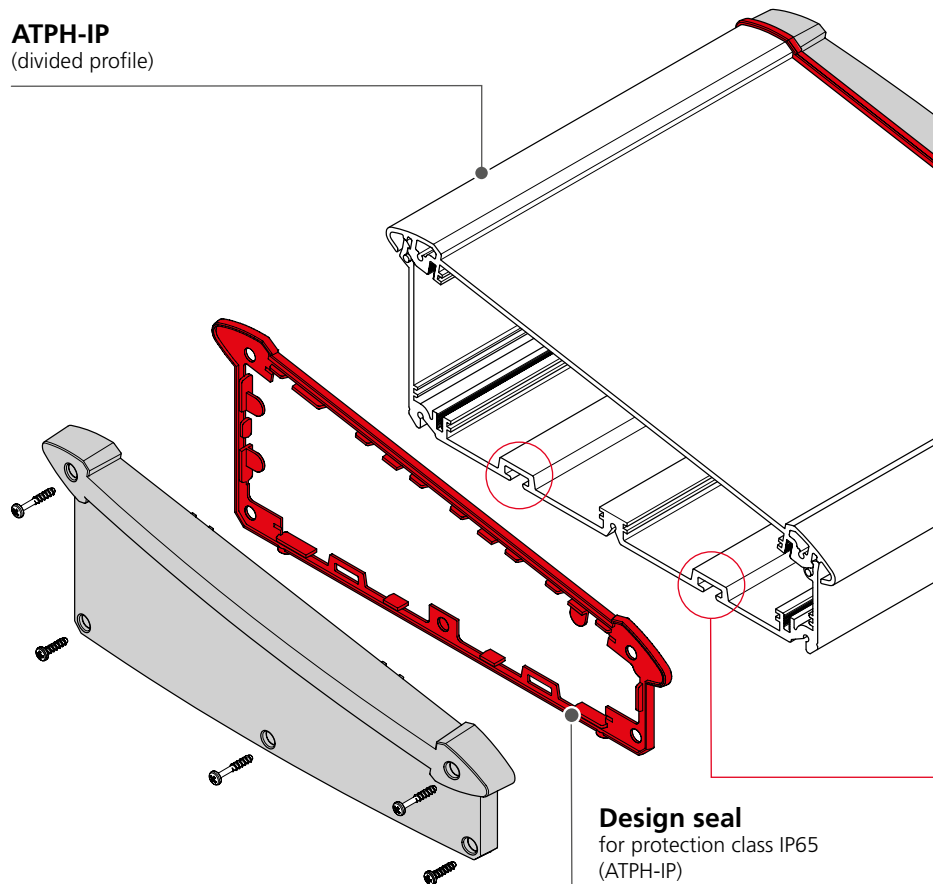


Enclosure versions

ATPH
(divided profile)



ATPH-IP
(divided profile)





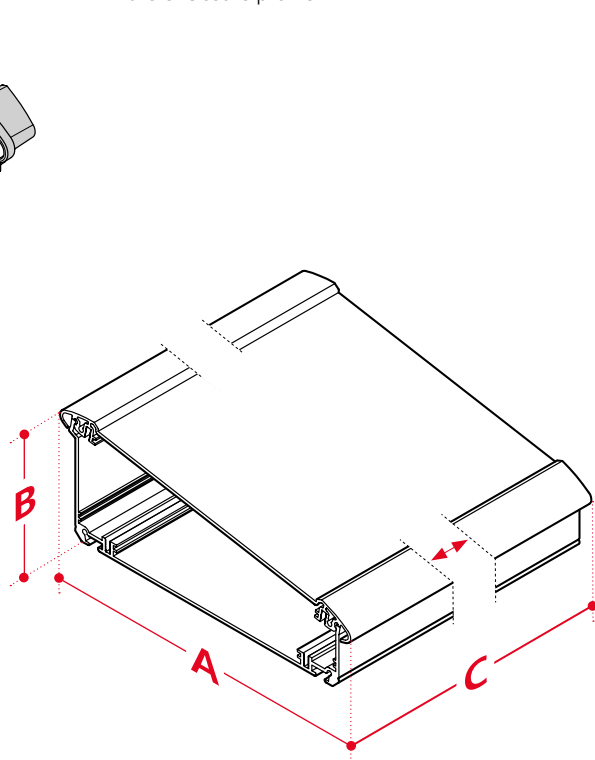
BOPLA

A Phoenix Mecano Company

Alu-Topline

! Note

For protection class IP54, in addition to seal AT...DI – available as an accessory – a round cord seal can be factory-fitted in the enclosure profile.



Dimensions

Model	A	B	C
ATPH 1850	181.2	53.2	*
ATPH 1865	181.2	68.2	*
ATPH-IP 2385	232,6	86,2	*

*C = standard lengths: 150 / 200 / 250 / 265 / 300
Special lengths on request.

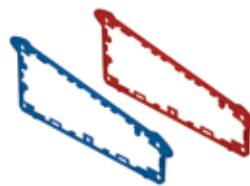
Accessories



Universal wall fitting



Rubber feet



Design seal for protection class IP65



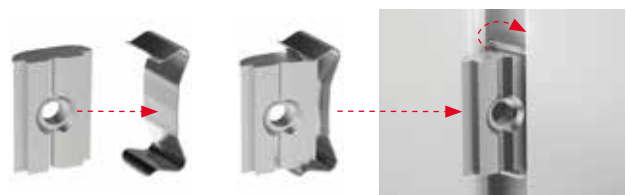
Seal for protection class IP54



Aluminium wall mounting



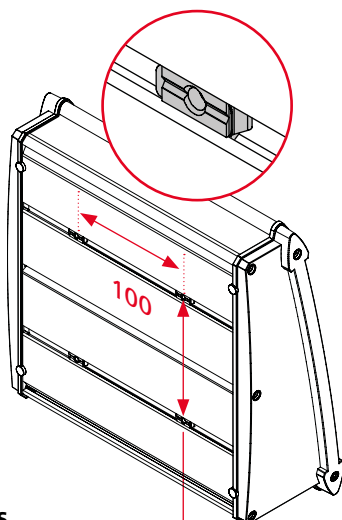
Insulating strip



Slot nuts, swivellable, for VESA mounting ATPH-IP

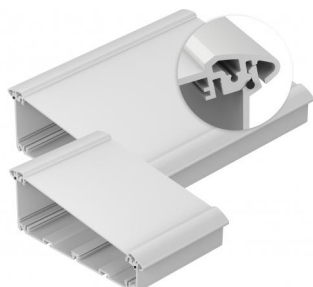
Inserts for slot nuts

e.g. for wall mounting using VESA 100



Alu-Topline

Enclosure, IP65

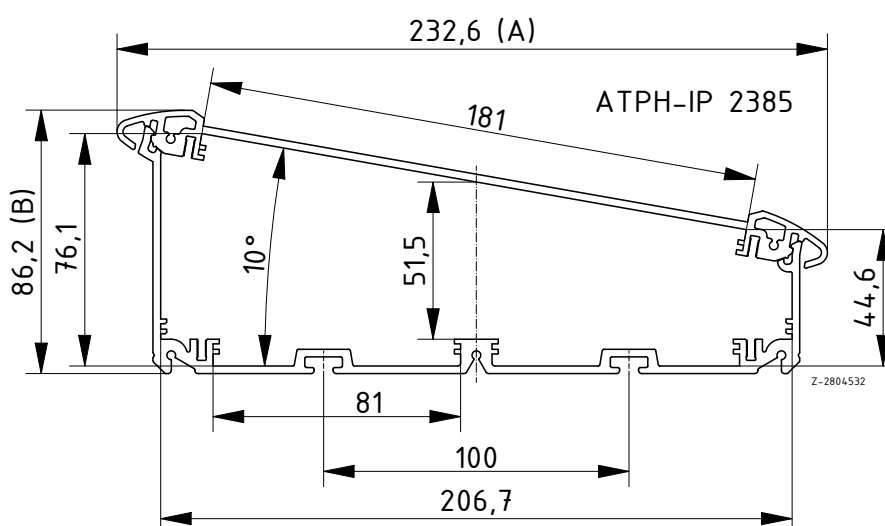


Enclosure profiles, horizontally-divided

Model	Order no.	A	B	C
ATPH-IP 2385-0150	92385150**	232.6	86.2	150
ATPH-IP 2385-0200	92385200**	232.6	86.2	200
ATPH-IP 2385-0250	92385250**	232.6	86.2	250
ATPH-IP 2385-0265	92385265**	232.6	86.2	265
ATPH-IP 2385-0300	92385230**	232.6	86.2	300
ATPH-IP 2385-1000	92385000**	232.6	86.2	1000

Scope Of Delivery: Enclosure profile, two parts including profile seal

Notes: Special lengths on request. ** = available from 3rd quarter of 2022

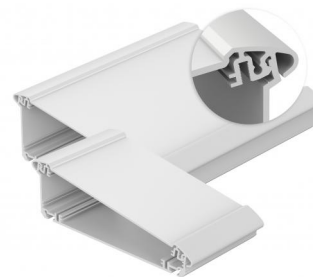


Alu-Topline

Enclosure

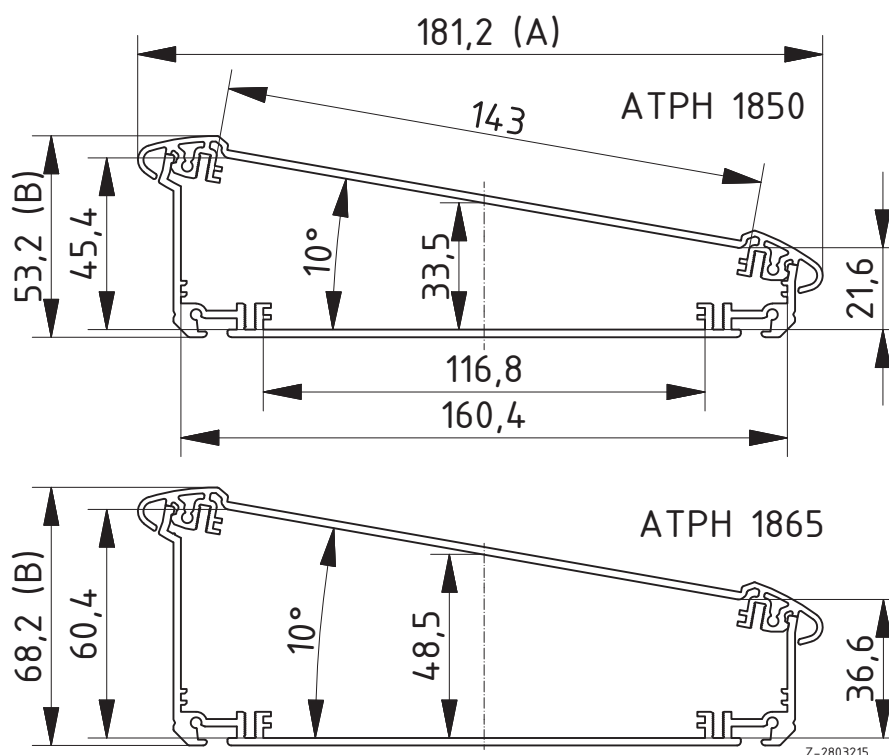
Enclosure profiles, horizontally-divided

Model	Order no.	A	B	C
ATPH 1850-0150	92850150	181.2	53.2	150
ATPH 1850-0200	92850200	181.2	53.2	200
ATPH 1850-0250	92850250	181.2	53.2	250
ATPH 1850-0300	92850300	181.2	53.2	300
ATPH 1865-0150	92865150	181.2	68.2	150
ATPH 1865-0200	92865200	181.2	68.2	200
ATPH 1865-0250	92865250	181.2	68.2	250
ATPH 1865-0300	92865300	181.2	68.2	300



Scope Of Delivery: Enclosure profile, 2 parts

Notes: Upgradable to IP 54 by fitting AT...DI. Special lengths on request.



Z-2803215

Alu-Topline

End Cover & Seals

End cover, ATPH-IP

Model	Order no.	Colour	Note
ATD-IP 2385-9005	92023005	Black	For ATPH-IP 2385

Scope Of Delivery: 2 covers and black design seal (left and right), screws, black screw covers

End cover

Model	Order no.	Colour	Note
ATD 1850-7024	92050024	Graphite grey	For ATPH 1850
ATD 1850-9005	92050005	Black	For ATPH 1850
ATD 1865-7024	92065024	Graphite grey	For ATPH 1865
ATD 1865-9005	92065005	Black	For ATPH 1865

Scope Of Delivery: 2 lids, 8 screws, 8 screw covers

Design seal, ATPH-IP

Model	Order no.	Note
AT-IP 2385 DI-5005	92023000	For ATPH-IP 2385
AT-IP 2385 DI-3001	92023001	For ATPH-IP 2385

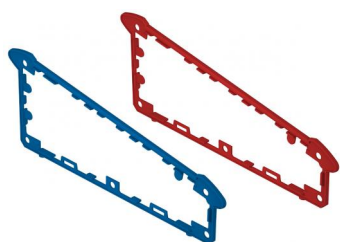
Scope Of Delivery: 5 sets (r. / l.)

Seals for ingress protection IP 54

Model	Order no.	Note
AT 1850 DI	92050000	For ATPH 1850
AT 1865 DI	92065000	For ATPH 1865

Scope Of Delivery: 5 sets of sponge rubber seals (r. / l.)

Notes: For protection class IP 54, in addition to seal AT...DI - available as an accessory - a round cord seal can be factory-fitted in the enclosure profile. Using the seals increases the enclosure width by approx. 1.6 mm.



Alu-Topline

Accessories

Wall fastening, aluminium

Model	Order no.	Note
AT 1800-0150 WB	92800150	For ATPH-0150
AT 1800-0200 WB	92800200	For ATPH-0200
AT 1800-0250 WB	92800250	For ATPH-0250
AT 1800-0300 WB	92800300	For ATPH-0300

Scope Of Delivery: 1 wall profile, 2 slotted set screws

Notes: Special lengths on request.

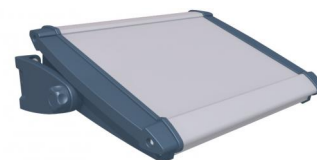


Universal wall fitting

Model	Order no.	Colour	Note
AT 0150-7024 UWB	92815024	Graphite grey	For ATPH-0150
AT 0200-7024 UWB	92820024	Graphite grey	For ATPH-0200
AT 0250-7024 UWB	92825024	Graphite grey	For ATPH-0250
AT 0300-7024 UWB	92830024	Graphite grey	For ATPH-0300

Scope Of Delivery: Profile (aluminium), 2 PA6 side flanges (complete), screws, covers

Notes: Can be swivelled in 10° stages. Enclosure processing on request.



Insulating strip for PCB mounting on the profile

Model	Order no.	Note
AT-IS 00020	92000100	Length: 101,5 mm

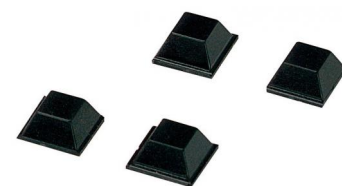
Scope Of Delivery: 1 insulating strip



Rubber feet

Model	Order no.	Colour	Note
AB - GF	84006700	Black	Polyurethane, 65-75 Shore

Scope Of Delivery: 4 rubber feet



Slot nuts, swivellable, for VESA mounting ATPH-IP

Model	Order no.	Note
NST6 M4	92000212	For ATPH-IP 2385

Scope Of Delivery: 20 slot nuts, incl. springs

Notes: suitable for later mounting

